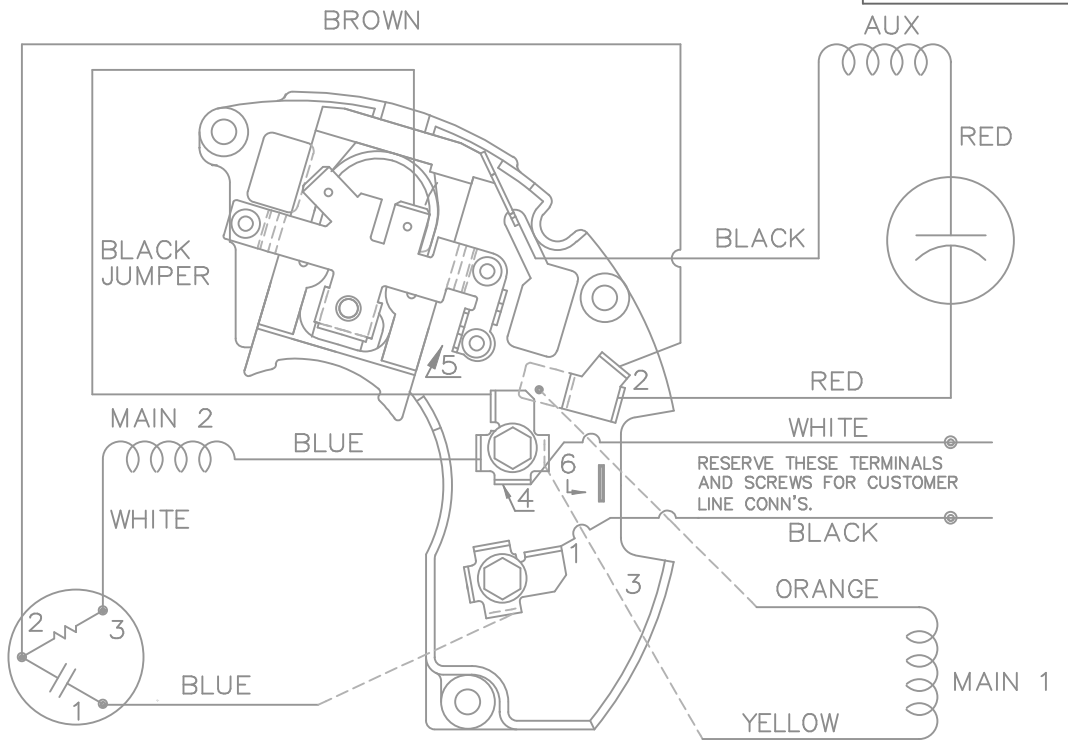
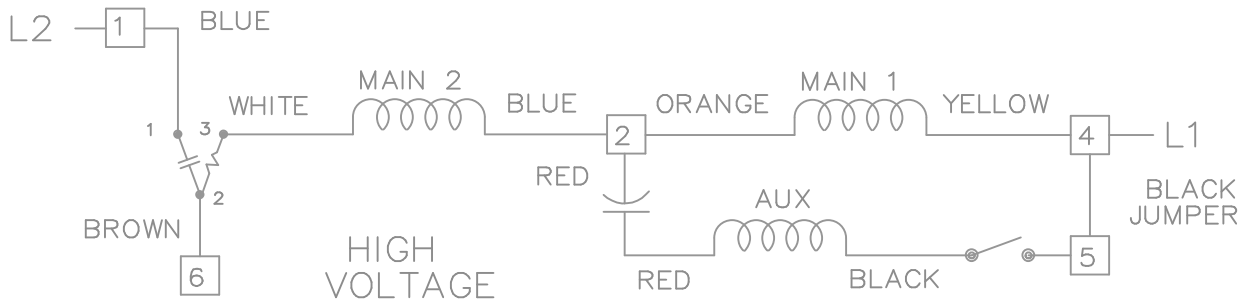


DUAL VOLTAGE CAPACITOR START REVERSIBLE ON TERM BOARD WITH OVERLOAD PROTECTION



VIEWING TERM END

LOW VOLTAGE CCW ROTATION SHOWN.



FOR HIGH VOLTAGE CONNECT BROWN TERM 2 TO TERM 6. CONNECT BLUE TERM 4 TO TERM 2.

TO REVERSE ROTATION EITHER VOLTAGE INTERCHANGE RED LEAD WITH BLACK LEAD.

				TOLERANCES UNLESS SPECIFIED		MARATHON ELECTRIC	DRAWN BW 02-22-1990					
				DEC.	INCHES		CHK	ML	02-22-1990			
				.X	± -	TITLE CONNECTION DIAGRAM 48 FR. DUAL VOLTAGE REVERSIBLE	APPD	GK	02-22-1990	SCALE	1=1	
3	ROUTING OF BLACK JUMPER	CN 35440	BJK 08-20-2002	.XX	± -		MAT'L.	REF				
2	REVISED BLACK LINE LOCATION	CN 6427	RM 01-28-1991	.XXX	± -		FINISH	FMF				
1	NEW DRAWING		BW 02-22-1990	.XXXX	± -		PREV					
NO.	REVISION		BY & DATE	CHK	ANG	± -						
THIS DRAWING IN DESIGN AND DETAIL IS OUR PROPERTY AND MUST NOT BE USED EXCEPT IN CONNECTION WITH OUR WORK ALL RIGHTS OF DESIGN AND INVENTION ARE RESERVED THIS IS AN ELECTRONICALLY GENERATED DOCUMENT - DO NOT SCALE THIS PRINT				RFP	CAD FILE EE9002M			SIZE	DRAWING NO.	PAGE	OF	REV.
				DIST	WP		A	EE9002M			3	