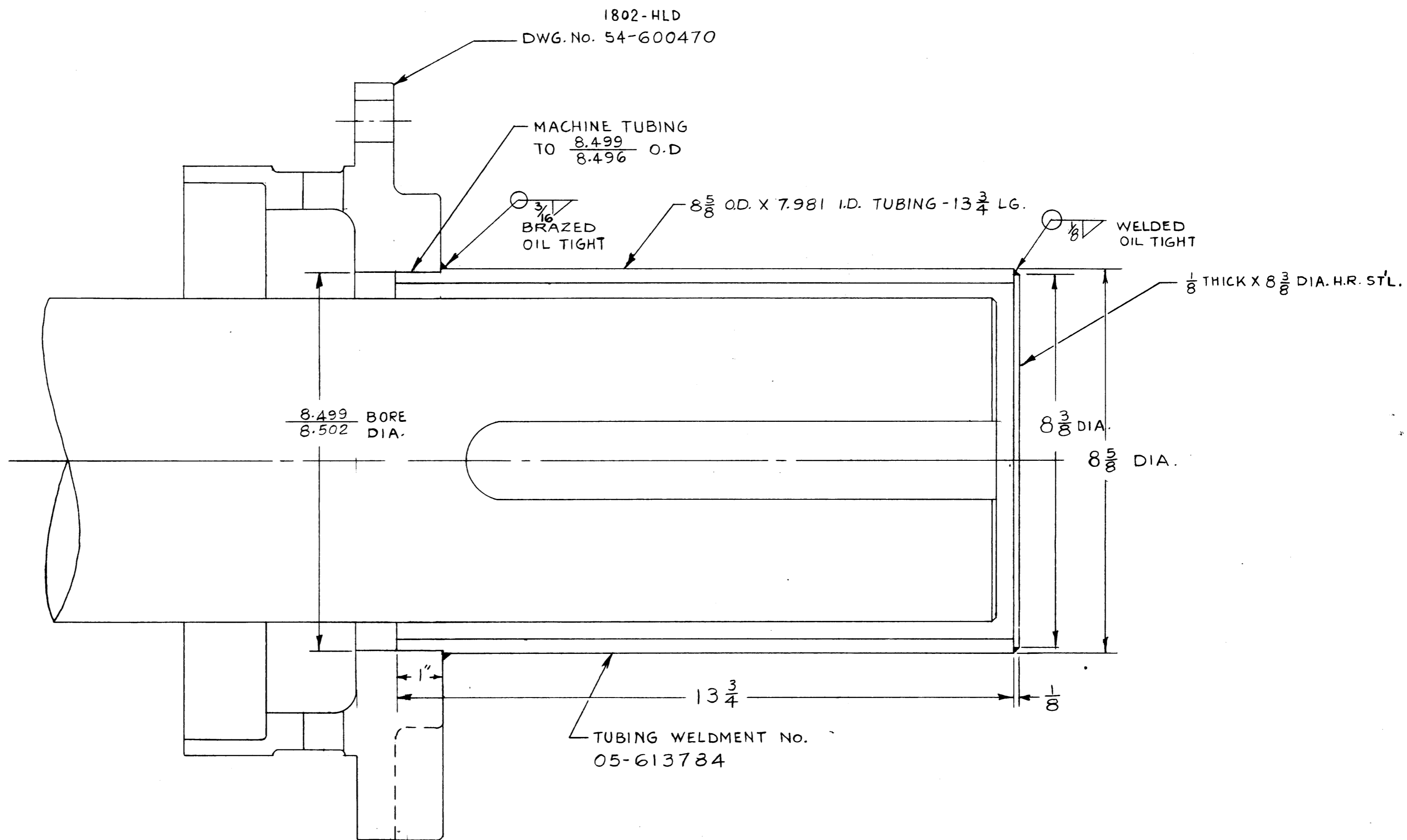


REVISIONS				
BY	DESCRIPTION	BY	DATE	CHKD.



NOTE: SHAFT GUARD — 1802-HLD-85-100092  
 CONSISTS OF THE FOLLOWING PARTS  
 1-COVER-BRG-L.S. OPEN-STYLE I-54-600470  
 1-TUBING WELDMENT No. 05-613784

LIMITS UNLESS NOTED	
FRACTIONAL DIMENSIONS	
BETWEEN FINISHED SURFACES	± .015
BETWEEN UNFINISHED SURFACES	± .060
BETWEEN FINISHED AND UNFINISHED SURFACES	± .060
BREAK ALL SHARP EDGES .015 MAX.	ANGLES ± 1/2°

SCALE: 1/2	DATE
DRAWN BY JM	9-13-68
CHECKED BY BT	12-27-68
APPROVED BY	



SHAFT GUARD  
 L.S. - STYLE I

DATE:	1802-HLD
	85-100092

100092