

4

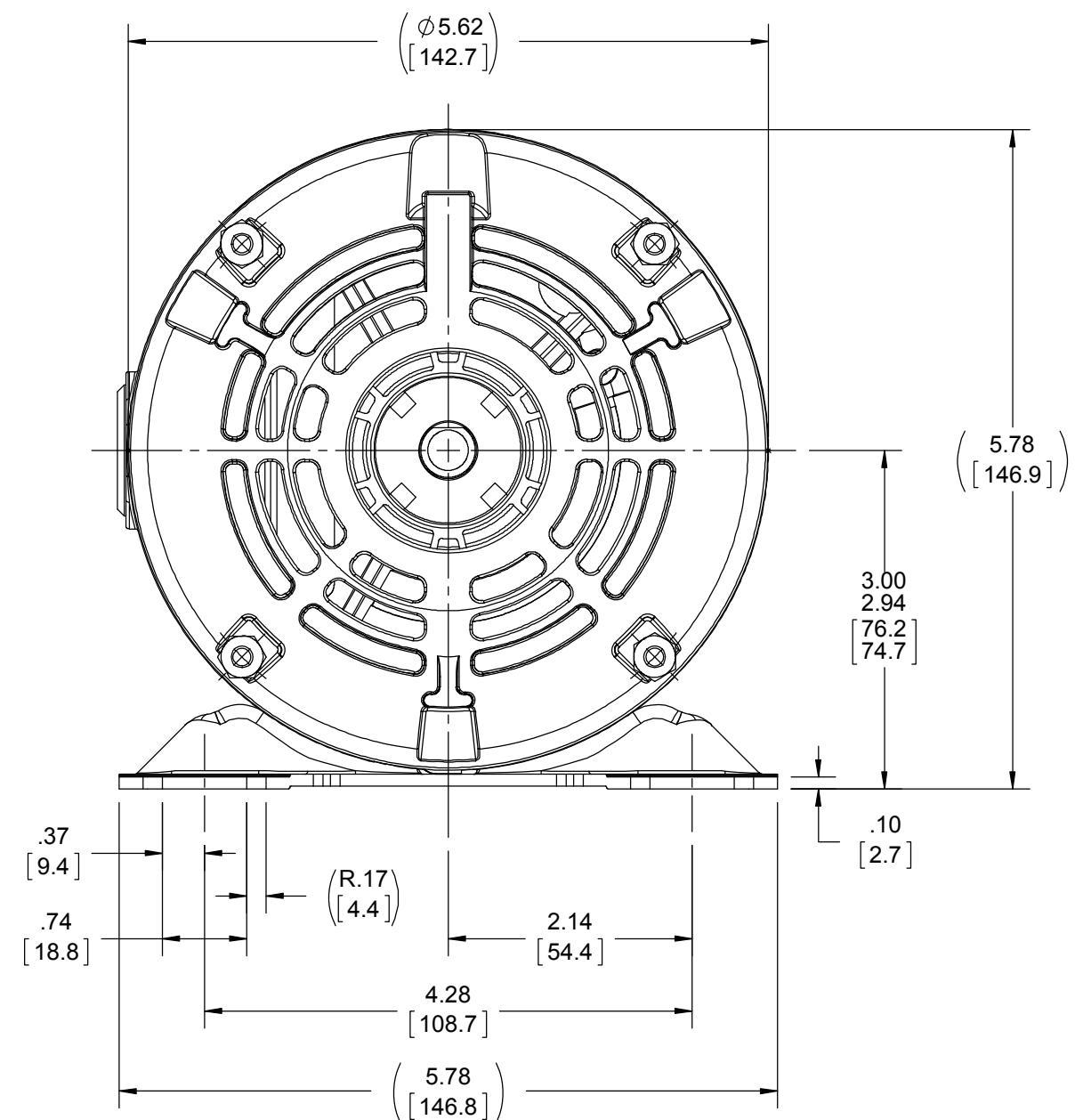
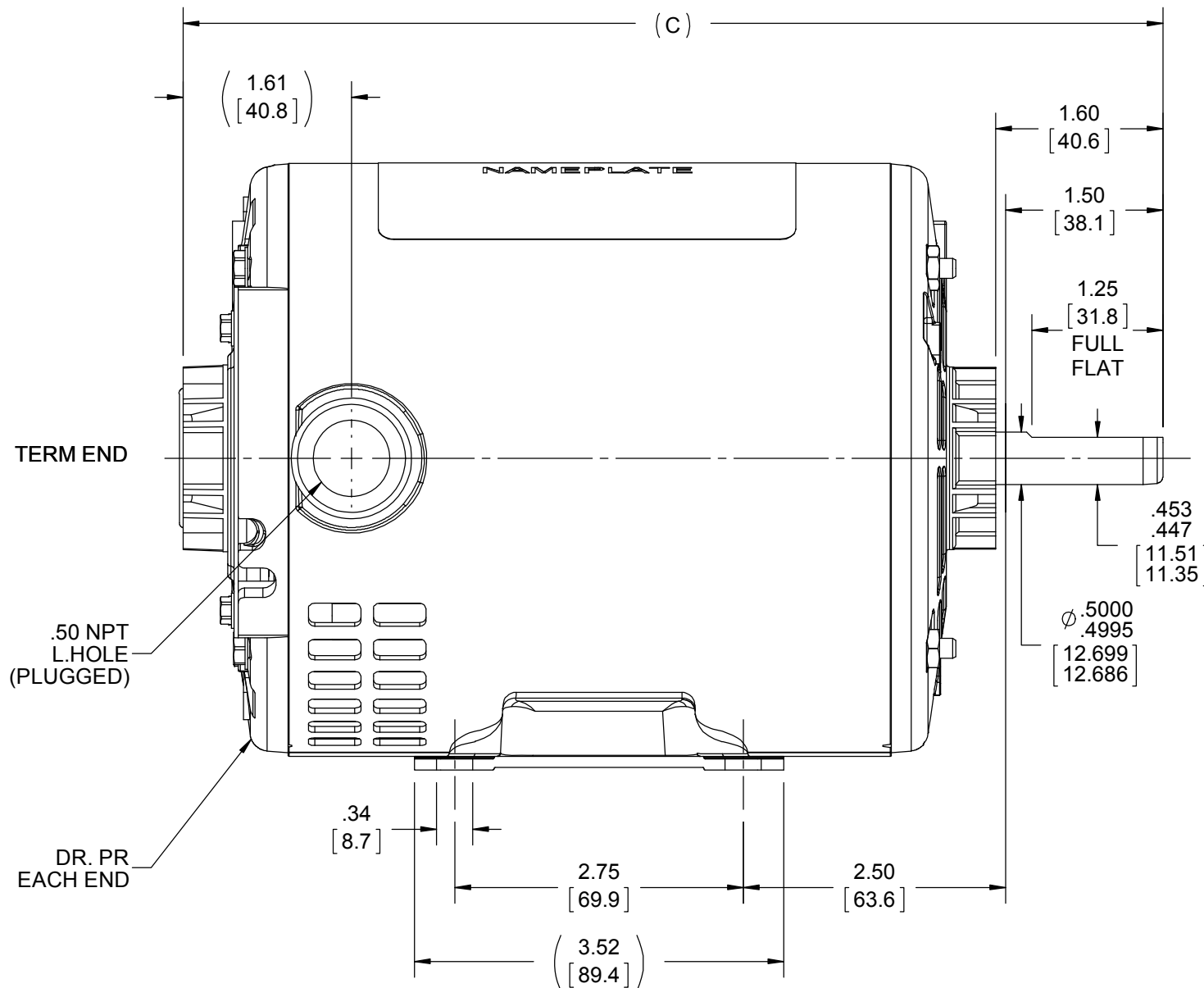
3

2

1

B

B



A

A

DASH	"C"
550	9.09 [230.9]
575	9.34 [237.2]
600	9.59 [243.6]
625	9.84 [249.9]
650	10.09 [256.3]
675	10.34 [262.6]
700	10.59 [268.9]
725	10.84 [275.4]
750	11.09 [281.9]

NOTE:-
1) NAMEPLATE READ FROM TERM. END.

DRAWING REVISION J	REVISION BY A SUPPANAVAR	REV DATE/© DATE 12/14/2018	TOLERANCES (EXCEPT AS NOTED): DEC. INCH mm ANGLE .X ±0.1 [±3] ±7' 30" .XX ±0.03 [±0.8] .XXX ±0.005 [±0.13] .XXXX ±0.0005 [±0.013]	DRAWN BY KL	REGAL ® Regal Beloit America, Inc.
ECO ECO-0167331	APPROVED BY D SURYWANSI	DATE 05/17/2019		DATE 12-12-1994	
ECO DESCRIPTION OUTLINE CONVERSION PROJECT			REMOVE BURRS & BREAK SHARP EDGES: .003/.015 [.08/.38] X 45° CORNER FILLETS: R.02 [.5] MACHINED SURFACES: 200/ 5.1 INCH/mm	APPROVED BY MOL	DESCRIPTION OUTLINE
COPYRIGHT (PER REVISION DATE) REGAL BELOIT AMERICA, INC. ALL RIGHTS RESERVED. PROPRIETARY AND CONFIDENTIAL INFORMATION - THIS DOCUMENT IS THE PROPERTY OF REGAL BELOIT AMERICA, INC. ("OWNER") AND CONTAINS OWNER'S PROPRIETARY INFORMATION. ANY PERSON, CORPORATION OR OTHER FIRM RECEIVING IT IS DEEMED, BY RECEIVING IT, TO AGREE THAT IT, AND/OR ANY PART OF IT, SHALL NOT BE DISCLOSED TO ANY PERSON, CORPORATION OR OTHER ENTITY, DUPLICATED, AND/OR USED, EXCEPT AS EXPRESSLY APPROVED IN WRITING IN ADVANCE BY OWNER. THIS DOCUMENT SHALL BE RETURNED TO OWNER UPON REQUEST. IT MAY BE SUBJECT TO CERTAIN RESTRICTIONS UNDER APPLICABLE EXPORT CONTROL LAWS AND REGULATIONS.			THIRD ANGLE PROJECTION	MATERIAL SS75080	PROCESS/FINISH
			mm DIMENSIONS IN [BRACKETS] ARE FOR REFERENCE ONLY	SIZE B	DRAWING NUMBER SS75080
					SHEET 1 OF 1

4

3

2

1