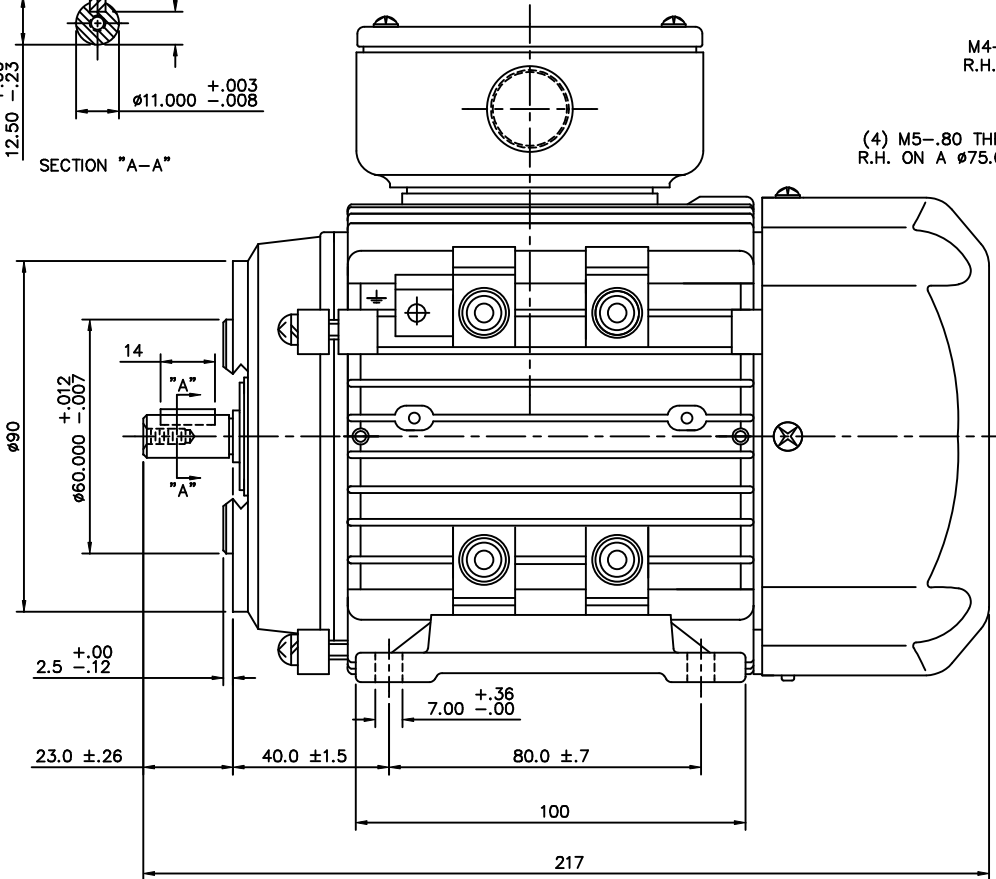
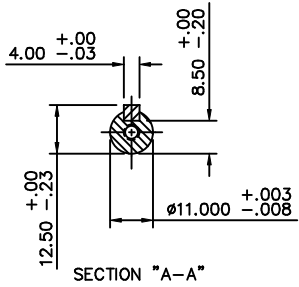
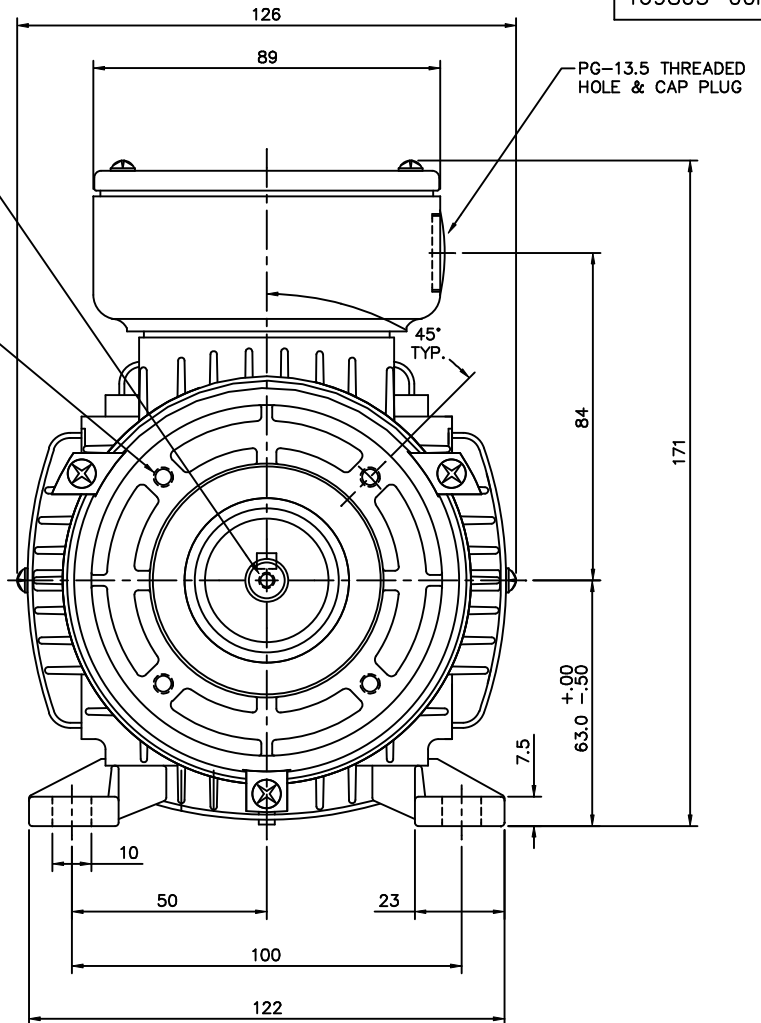


169863-00ME



M4-.70 x 10MM DEEP R.H. THREADED SHAFT
 (4) M5-.80 THRU-THREAD R.H. ON A Ø75.00±.15 B.C.



		TOLERANCES UNLESS SPECIFIED				DRAWN ADS 01/30/2002	
		DEC.	INCHES			CHK NB 09/18/2006	
		.X	±.1			APPD NB 09/18/2006	
		.XX	±.03			SCALE 1=1.25	
		.XXX	±.005	REF OSVC-300-562			
		.XXXX	±.0005	FMF MU74882			
NO.	REVISION	BY & DATE	CHK	ANG ±1/2"	FINISH	PREV	
THIS DRAWING IN DESIGN AND DETAIL IS OUR PROPERTY AND MUST NOT BE USED EXCEPT IN CONNECTION WITH OUR WORK ALL RIGHTS OF DESIGN AND INVENTION ARE RESERVED THIS IS AN ELECTRONICALLY GENERATED DOCUMENT - DO NOT SCALE THIS PRINT			RFP 09/18/2006	CAD FILE 16986300me	SIZE B	DRAWING NO. 169863-00ME	REV.
			DIST MAR-WP				