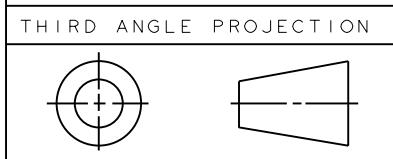
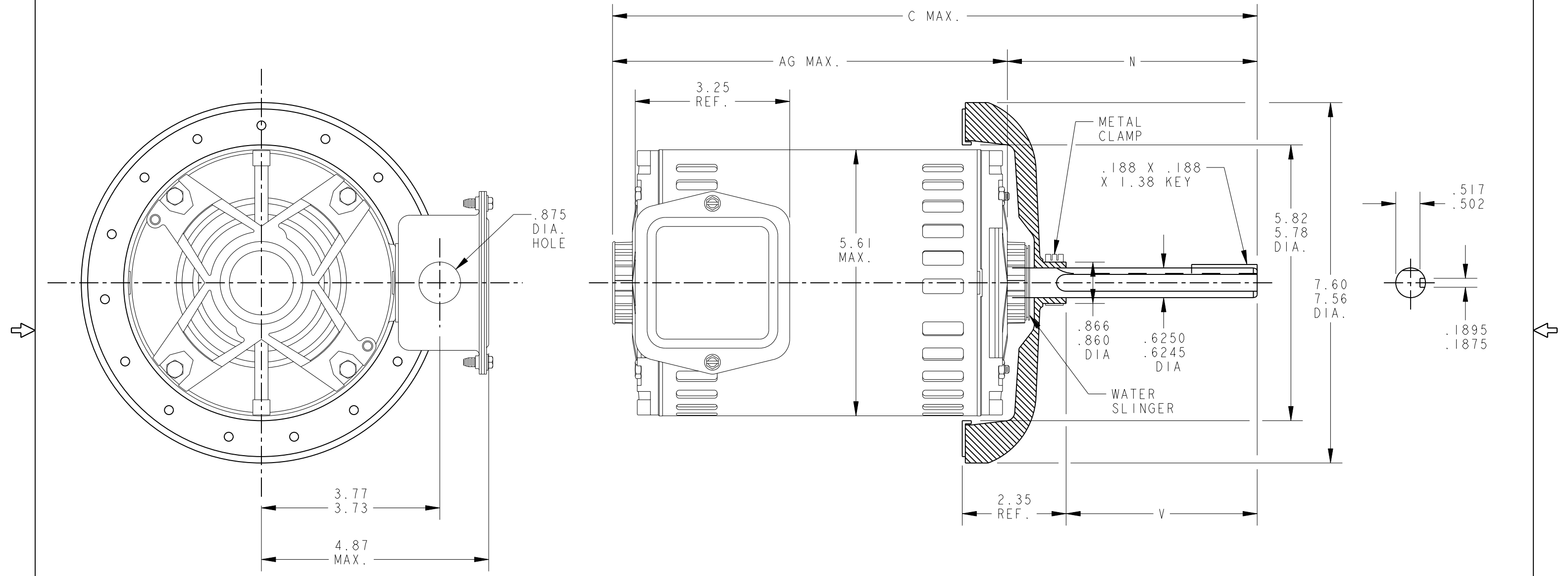




REVISIONS			
REV.	DESCRIPTION	DATE	APPROVED
I	CHG TO RBC FORMAT PER ISO5-1777	05/16/06	ARCHANA



I	KCP	39	48Z	14.23	4.91 4.85	9.35	3.57 3.53	8.50
P	TYPE	GE SIZE	NEMA FR	C	N	AG	V	SHELL LGTH.

FOR ADDITIONAL INFO REFER TO:
 APPLIED PRACTICES
 DIMENSIONS ARE IN INCHES
 MATERIAL

SIGNATURES	DATE
MODEL DURGA	06/04/04
DETAIL	.
CHECKED	.
ENGRG	.
MFG	.
QUALITY	.
ISSUED DURGA	06/04/04
SOLID MODEL: 52B210998	

	REGAL-BELOIT CORPORATION	
	TITLE OUTLINE FORM N - SPECIAL PURPOSE MOTOR OPEN - BALL BEARING	
SIZE: B	DRAWING 52B210998	REV 1
SCALE: 0.500		REF. No: .
		SHEET 1 of 1