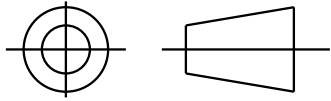


THIRD ANGLE PROJECTION

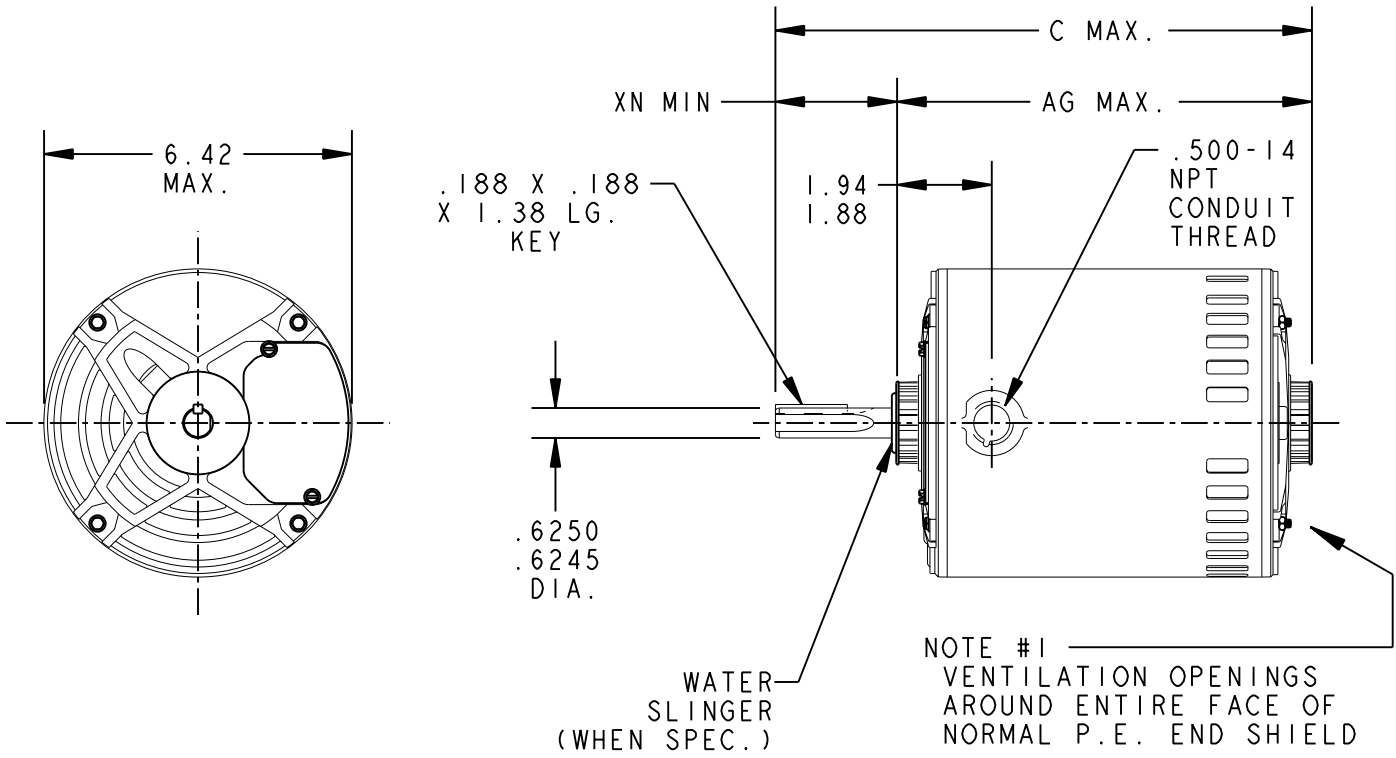


REVISIONS

REV.	DESCRIPTION	DATE	APPROVED
0	REDRAWN ON PRO-E	03/18/05	ARUNK
1	CHG TO RBC FORMAT PER ISO5-1777	03/23/06	SUDHA

52A109681 1

SIZE DRAWING NO. A



I	KCP	49	56Z	4.00	15.21	11.21	8.99
P	TYPE	GE SIZE	NEMA FR	XN	C	AG	SHELL LG.

SIGNATURES		DATE	<p>REGAL-BELOIT CORPORATION</p> <p>TITLE</p> <p>OUTLINE</p> <p>40 FR. REDESIGN - SPECIAL PURPOSE MOTOR - TENV (SE)- DRIP PROOF (PE) - BALL BEARING</p>
MODEL	M.D. PAPE	09/20/94	
DETAIL	.	.	
CHECKED	.	.	
ENGRG	.	.	
FOR ADDITIONAL INFO REFER TO:		MFG	<p>SIZE DRAWING</p> <p>A</p>
APPLIED PRACTICES	QUALITY	.	
DIMENSIONS ARE IN INCHES ✓	ISSUED	M.D. PAPE 09/20/94	<p>52A109681</p>
MATERIAL	SOLID MODEL: 52A109681		<p>SCALE: 0.250 REF. No: .</p>
			<p>REV 1</p> <p>SHEET 1 of 1</p>