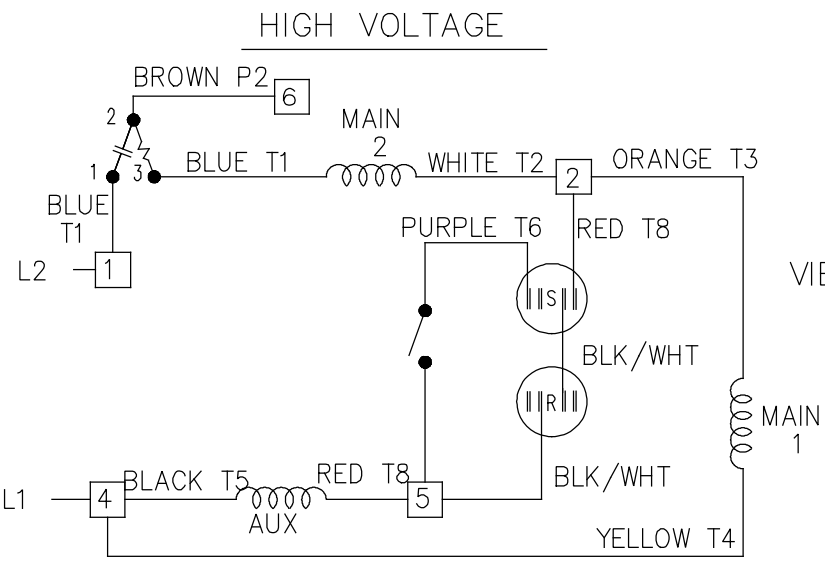
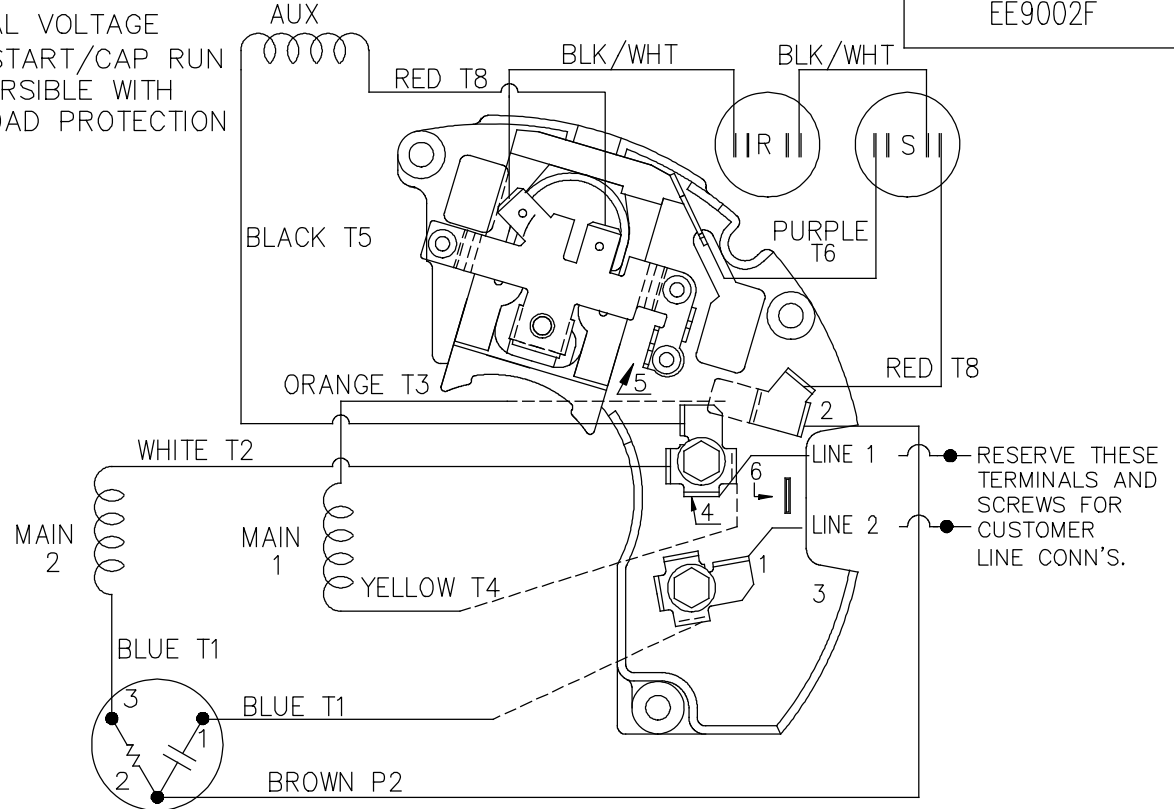


DUAL VOLTAGE
 CAP START/CAP RUN
 REVERSIBLE WITH
 OVERLOAD PROTECTION




VIEWING TERM END

LOW VOLTAGE CCW ROTATION SHOWN.

FOR HIGH VOLTAGE
 CONNECT BROWN TERM 2 TO TERM 6.
 CONNECT WHITE TERM 4 TO TERM 2.

TO REVERSE ROTATION EITHER
 VOLTAGE INTERCHANGE RED
 LEAD WITH BLACK LEAD.

DASH LINES INDICATE LEADS CONNECTED
 TO MOTOR SIDE OF SWITCH.

6	ADDED T MARKINGS	DS 07/19/2018	VC	TOLERANCES UNLESS SPECIFIED		 Regal Beloit America, Inc.	DRAWN ML 02-11-1988		
5	REVISED LINE 2 LOCATION	RM 01-28-1991		DEC.	INCHES		CHK FG 02-11-1988		
4	UPDATED SCHEMATIC PER CN 6014	DA 08-01-1990		.X	± -	APPD DNR 03-11-1988			
3	RED LEAD FROM AUX WAS ON ANGLE TERM. PURPLE LEAD WAS RED CN 6014	DA 07-02-1990		.XX	± -	TITLE CONNECTION DIAGRAM 48 FR. DUAL VOLTAGE REVERSIBLE	SCALE 1=1		
2	ADDED CUSTOMER CONNECTION NOTE. CN 6011	BW 08-03-1989		.XXXX	± -	MAT'L.	REF FMF		
NO.	REVISION	BY & DATE	CHK	ANG	± -	FINISH	PREV		
THIS DRAWING IN DESIGN AND DETAIL IS OUR PROPERTY AND MUST NOT BE USED EXCEPT IN CONNECTION WITH OUR WORK ALL RIGHTS OF DESIGN AND INVENTION ARE RESERVED THIS IS AN ELECTRONICALLY GENERATED DOCUMENT - DO NOT SCALE THIS PRINT			RFP	CAD FILE EE9002F		SIZE A	DRAWING NO. EE9002F	PAGE OF	REV. 6
			DIST	WP					