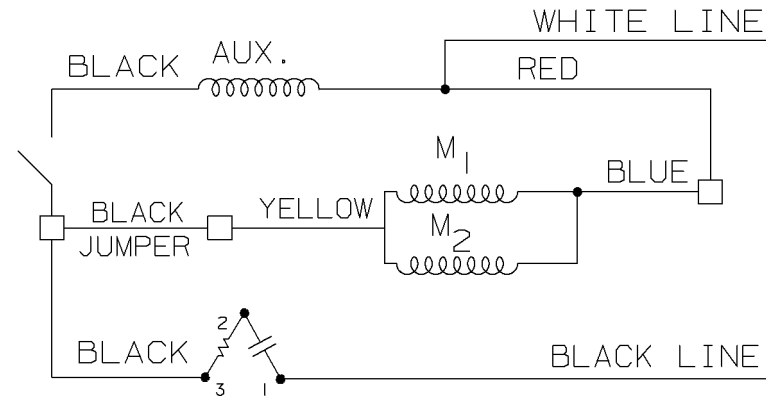


SINGLE VOLTAGE
SPLIT PHASE MOTOR
WITH OVERLOAD PROTECTOR

CW ROTATION SHOWN

CCW ROTATION -
INTERCHANGE YELLOW & BLUE
LEADS ON THE TERMINAL
BOARD.



3	08-22-2001	REVERSED SOLDER POST POSITION ON SWITCH ASSEMBLY CN 34233	TJB	✓ MAX. SURFACE ROUGHNESS UNLESS NOTED OTHERWISE	UNLESS OTHERWISE SPECIFIED DIMENSIONS ARE IN INCHES TOL. ON XX± XXX±.005 XXXX±.0005 ANGLES±			
2	06-13-2001	ADDED BLACK JUMPER LABEL	DRS	MATL SPEC	DRAWN BY TJB 04-27-2001			
1	05-23-2001	NEW DRAWING	TJB	FINISH	CHKD BY ML 05-23-2001			
REV	DATE	CHANGE	NAME	REFERENCE DRW.	APPD BY JPL 05-23-2001			
				PART NAME CONNECTION DIAGRAM	DRWG NO A-EE7154CB			



SHOP BOOK

PURCHASED

DISTRIBUTION - ~~W~~ - ~~B~~ - WP - ~~M~~ - ~~R~~

CADD FILE NO.

EE7154CB