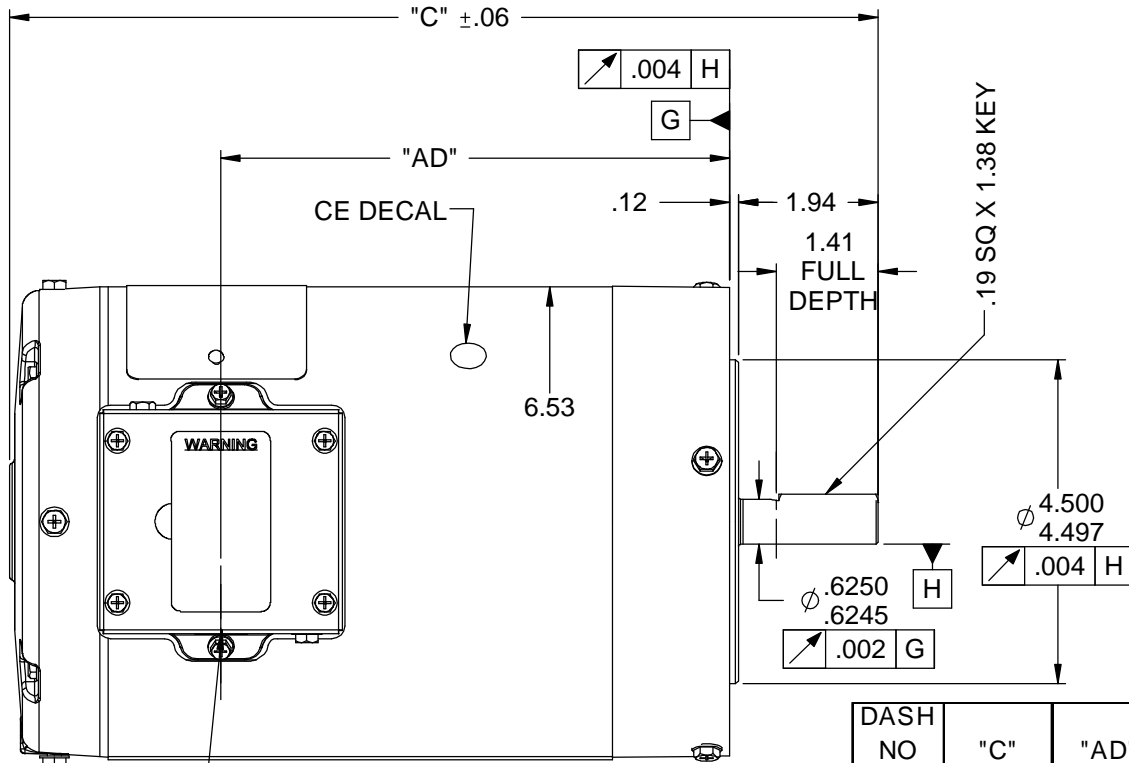


RBC PROPRIETARY AND CONFIDENTIAL INFORMATION

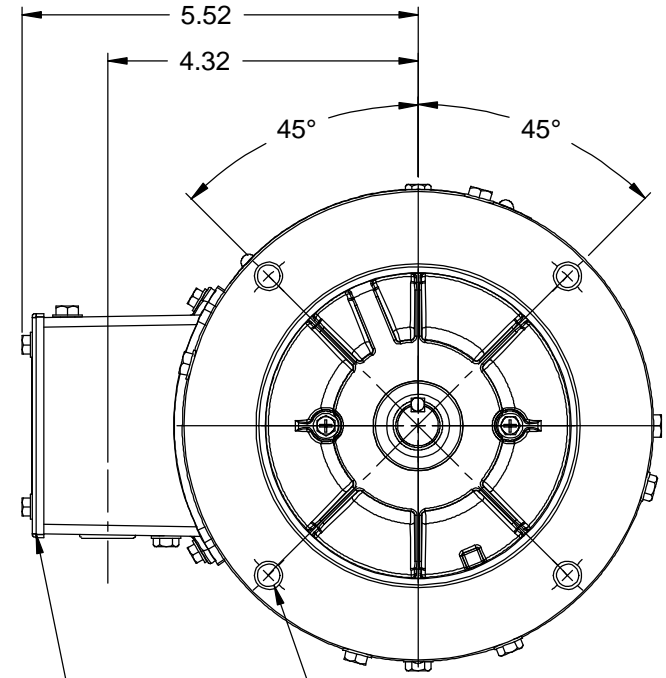
This document is the property of REGAL BELOIT CORPORATION ("RBC") including its subsidiaries and divisions and contains proprietary information of RBC. This document is loaned on the express condition that neither it nor the information contained therein shall be disclosed to others without the express written consent of RBC, and that the information shall be used by the recipient only as approved expressly by RBC. This document shall be returned to RBC upon its request. This document may be subject to certain restrictions under U.S. export control laws and regulations.



(1) 1/2-14 NPT (PLUGGED)

- NOTE:
- 1) SHAFT SEALS & V-RINGS
  - 2) PLUGGED DRAIN HOLES IN BOTH ENDBELLS & CONDUIT BOX
  - 3) GASKETS THROUGHOUT
  - 4) STAINLESS STEEL SHAFT, HARDWARE & NAMEPLATE

DASH NO	"C"	"AD"
450	9.56	4.50
500	10.06	5.00
550	10.56	5.50
600	11.06	6.00
650	11.56	6.50
700	12.06	7.00
750	12.56	7.50
800	13.06	8.00



(4) 3/8-16 UNC-2B x .56 DEEP ON A Ø5.875 B.C

DECAL CONNECTION UNDER COVER

		TOLERANCES UNLESS SPECIFIED		MARATHON ELECTRIC	DRAWN DJ 04/21/08	
		DEC	INCHES		CHK LST 04/22/08	
		.X	±.1	TITLE OUTLINE - 56C FRAME TENV - "C" FACE	APPR	
		.XX	±.03		SCALE 3:8	
		.XXX	±.005		REF	
01 ADDED PLUGGED TO DRAIN HOLE NOTE ISAAC 12-4474		GS	9/17/12		MAT'L WASHGUARD	
NO REVISION		BY & DATE	CHK ANG ±1/2°	FINISH		FMM 56T17V5326
			RFP	PREV	PAGE OF	
THIRD ANGLE PROJECTION				SIZE	DRAWING NO	REV
				A	028834ME	01