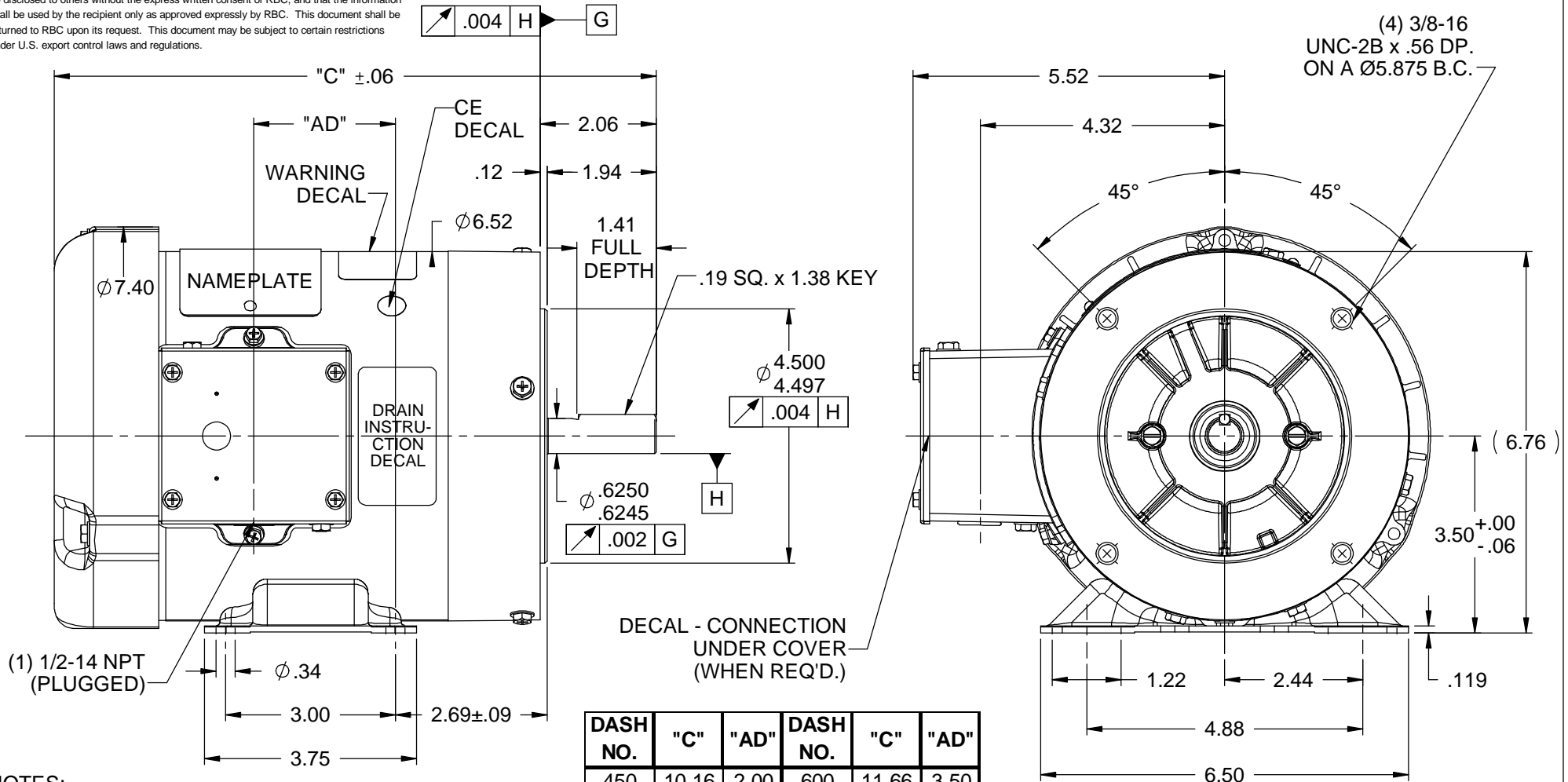


RBC PROPRIETARY AND CONFIDENTIAL INFORMATION

This document is the property of REGAL BELOIT CORPORATION ("RBC") including its subsidiaries and divisions and contains proprietary information of RBC. This document is loaned on the express condition that neither it nor the information contained therein shall be disclosed to others without the express written consent of RBC, and that the information shall be used by the recipient only as approved expressly by RBC. This document shall be returned to RBC upon its request. This document may be subject to certain restrictions under U.S. export control laws and regulations.



(4) 3/8-16
UNC-2B x .56 DP.
ON A Ø5.875 B.C.

(1) 1/2-14 NPT
(PLUGGED)

DECAL - CONNECTION
UNDER COVER
(WHEN REQ'D.)

- NOTES:
 1) SHAFT SEALS & V-RING.
 2) DRAIN HOLES IN ENDBELLS & CONDUIT BOX.
 3) GASKETS THROUGHOUT.
 4) STAINLESS STEEL SHAFT, HARDWARE, & NAMEPLATE

DASH NO.	"C"	"AD"	DASH NO.	"C"	"AD"
450	10.16	2.00	600	11.66	3.50
475	10.41	2.25	650	12.16	4.00
500	10.66	2.50	675	12.41	4.25
550	11.16	3.00	700	12.66	4.50

				TOLERANCES UNLESS SPECIFIED				DRAWN RVD 02/26/2009		
				DEC	INCHES			CHK VS 02/26/2009		
				.X	±.1			APPR RVD 02/26/2009		
				.XX	±.03			SCALE 3:8		
				.XXX	±.005			REF 028785		
				.XXX	±.0005	MAT'L		FMF 56T34W15503		
				.XXX	±.0005	FINISH GENERAL PURPOSE		PAGE OF		
NO	REVISION			BY & DATE	CHK	ANG	±1/2°	PREV		
THIRD ANGLE PROJECTION				RFP		NETWORK FILE NAME		SIZE	DRAWING NO	REV
						028785ME		A	028785ME	