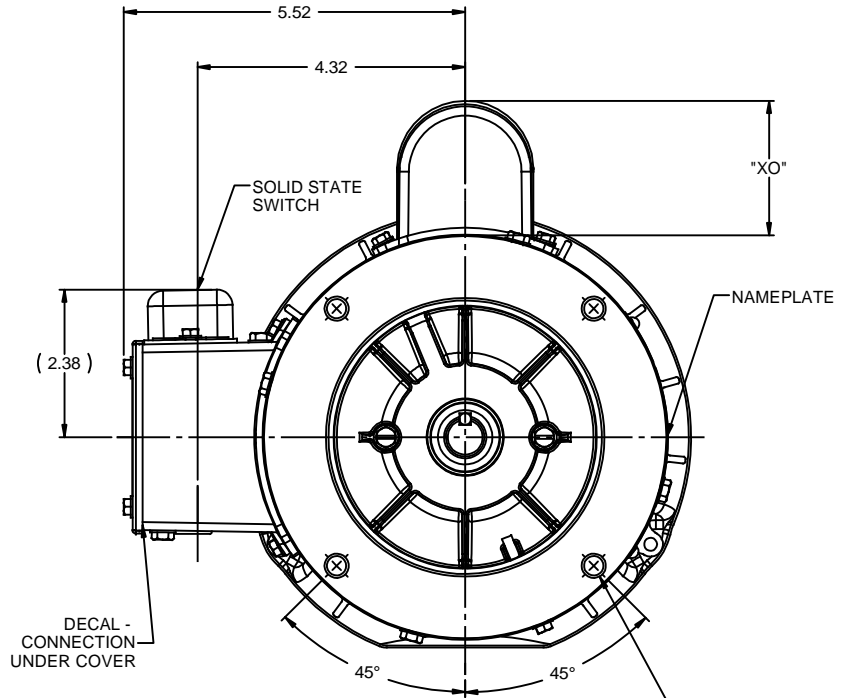
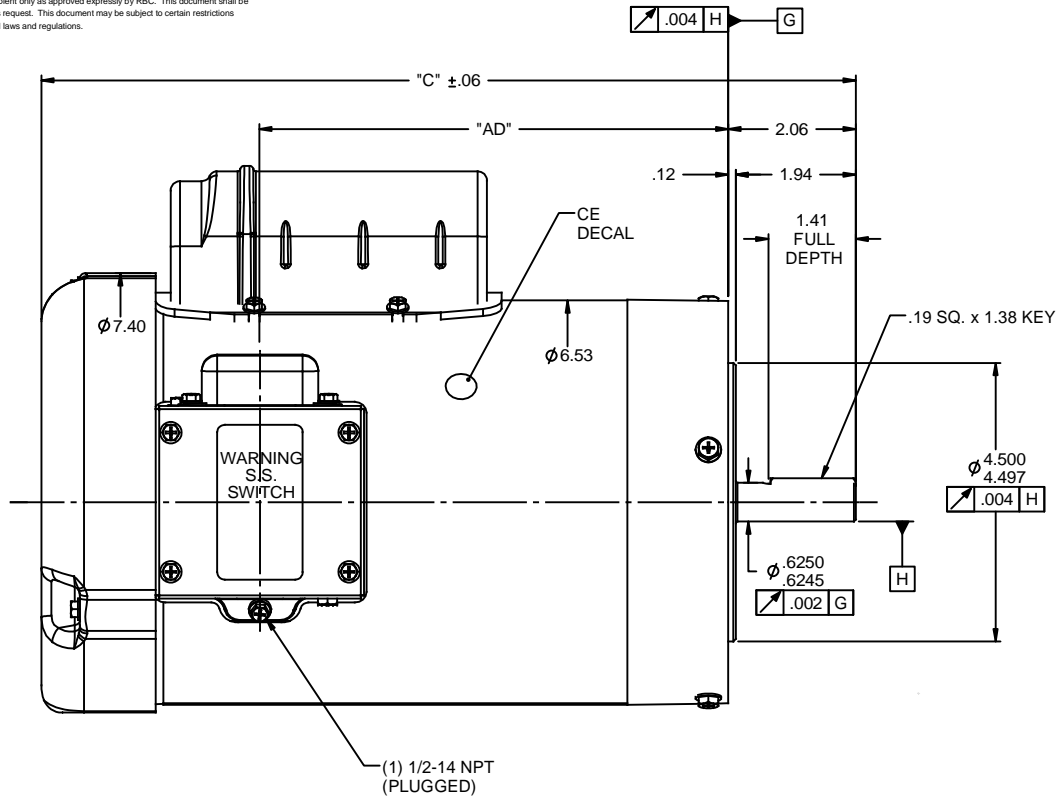
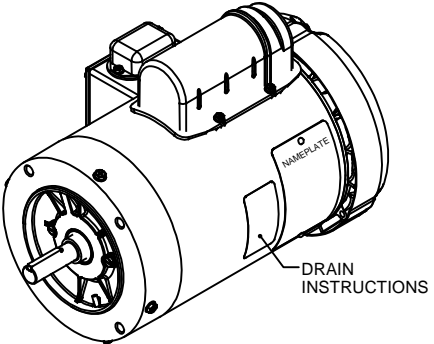


RBC PROPRIETARY AND CONFIDENTIAL INFORMATION
 This document is the property of REGAL BELOIT CORPORATION ("RBC") including its subsidiaries and divisions and contains proprietary information of RBC. This document is loaned on the express condition that neither it nor the information contained therein shall be disclosed to others without the express written consent of RBC, and that the information shall be used by the recipient only as approved expressly by RBC. This document shall be returned to RBC upon its request. This document may be subject to certain restrictions under U.S. export control laws and regulations.



(1) 1/2-14 NPT (PLUGGED)

(4) 3/8-16 UNC-2B x .56 DEEP ON A Ø5.875 B.C.



- NOTES:
 1) SHAFT SEALS & V-RING.
 2) PLUGGED DRAIN HOLES IN ENDBELLS & CONDUIT BOX.
 3) GASKETS THROUGHOUT.
 4) STAINLESS STEEL SHAFT, HARDWARE, & NAMEPLATE

DASH NO.	"C"	"AD"
450	10.16	4.56
475	10.41	4.81
500	10.66	5.06
550	11.16	5.56
575	11.41	5.81
600	11.66	6.06
625	11.91	6.31
650	12.16	6.56
700	12.66	7.06

CAP. DASH	"XO"
A	1.54
B	2.01
C	2.25

REVISION		BY & DATE	CHK	ANG	±1/2°	FINISH	DRAWING NO		REV
THIRD ANGLE PROJECTION			RFP			PREV	SIZE	B	
			NETWORK FILE NAME		028866ME		DRAWING NO		028866ME



TITLES
 XX ±.03
 XXX ±.005
 XXXX ±.0005

OUTLINE - 56C FRAME
 TEFC - RIGID "C" FACE
 MATL WASHGUARD

DRAWN LST 3/19/11
 CHK
 APPR
 SCALE 1:2
 REF
 FMF
 PAGE 1 OF 1