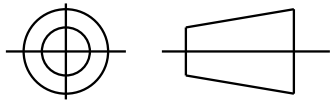


SHEET 1  
 REV 2  
 SIZE DRAWING NO. 52A107890  
 A

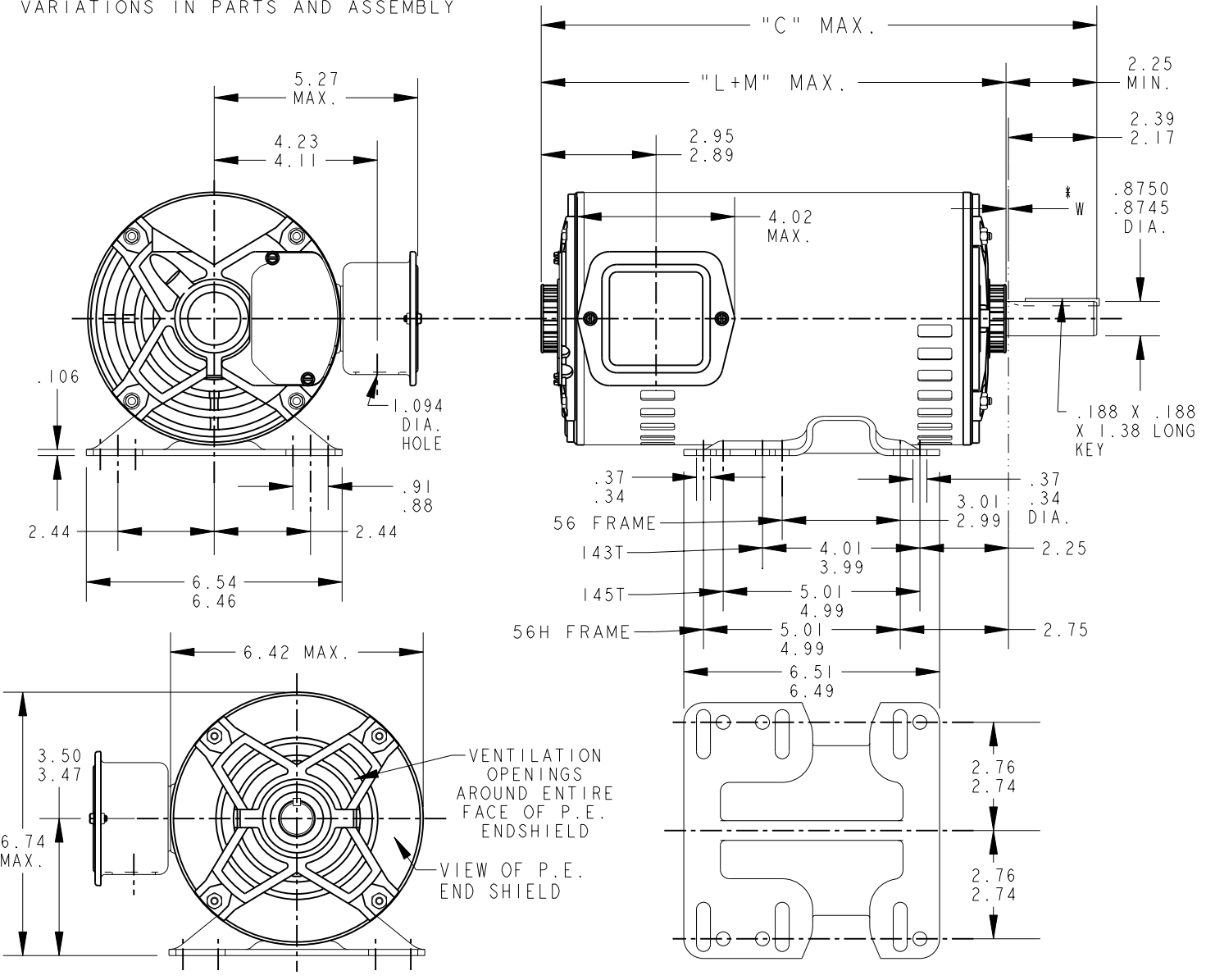
THIRD ANGLE PROJECTION



REVISIONS

REV.	DESCRIPTION	DATE	APPROVED
1	ADDED PART #2.	05/06/94	M.D.PAPE
2	CHG TO RBC FORMAT PER ISO5-1777	03/08/06	SUDHA


\*W IS A VARIABLE CLEARANCE DUE TO VARIATIONS IN PARTS AND ASSEMBLY



ALL DIMENSIONS ARE IN INCHES

2	K	49	143T 145T	13.59	11.32	8.99
1	K	49	143T 145T	14.23	11.96	9.63
P	TYPE	GE SIZE	NEMA FR.	"C"	"L+M"	MIN. SHELL

SIGNATURES		DATE
MODEL	MA MARKS	02/01/94
DETAIL	.	.
CHECKED	.	.
ENGRG	.	.
MFG	.	.
FOR ADDITIONAL INFO REFER TO:	QUALITY	.
APPLIED PRACTICES	ISSUED	M.A.M. 02/01/94
DIMENSIONS ARE IN INCHES ✓	SOLID MODEL: 52A107890	



**REGAL-BELOIT CORPORATION**

TITLE

**OUTLINE**

**GENERAL PURPOSE MOTOR DP - BALL BRG.**

**WELD BASE FMF: 40 FRAME REDESIGN (5K49UN8051)**

SIZE DRAWING

**52A107890**

SCALE: 0.250 REF. No: . SHEET 1 of 1

REV 2