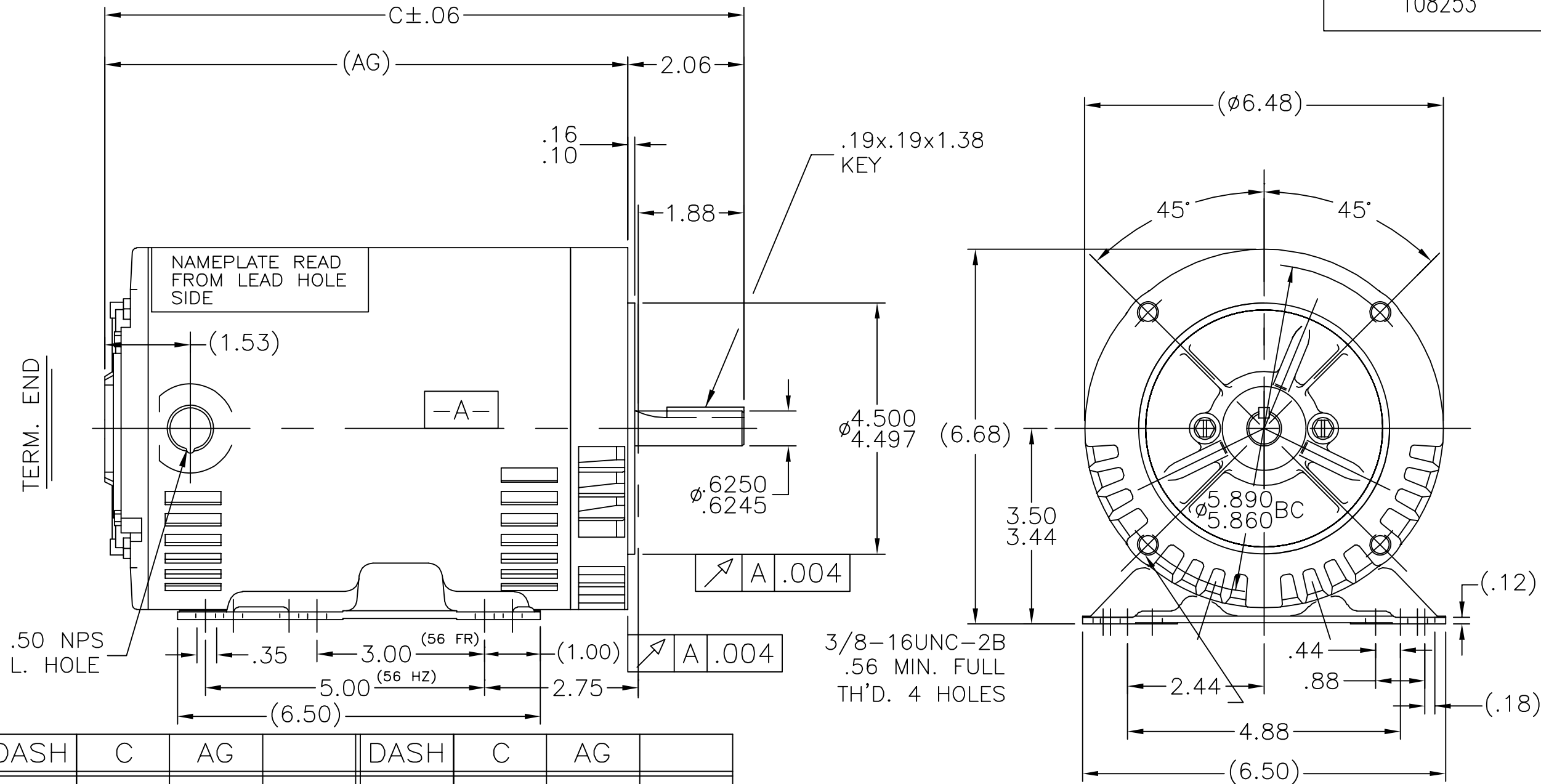


108253



DASH	C	AG	DASH	C	AG
606	9.94	7.87	806	11.94	9.87
656	10.44	8.37	856	12.44	10.37
706	10.94	8.87	906	12.94	10.87
756	11.44	9.37	956	13.44	11.37

TOLERANCES UNLESS SPECIFIED	
DEC.	INCHES
.X	±.1
.XX	±.03
.XXX	±.005
.XXXX	±.0005
ANG	±7'30"



DRAWN	PVR 12/31/14
CHK	SM 12/31/14
APPD	
SCALE	3=8
REF	100230
FMF	
PREV	

TITLE OUTLINE
56 FR. - BB - DR. PR. - 'C' FACE - 3φ
MAT'L.
FINISH

NO.	REVISION	BY & DATE	CHK

THIS DRAWING IN DESIGN AND DETAIL IS OUR PROPERTY AND MUST NOT BE USED EXCEPT IN CONNECTION WITH OUR WORK ALL RIGHTS OF DESIGN AND INVENTION ARE RESERVED THIS IS AN ELECTRONICALLY GENERATED DOCUMENT - DO NOT SCALE THIS PRINT

RFP	CAD FILE 108253	SIZE	DRAWING NO.	PAGE	OF	REV.
DIST	WP	A	108253			