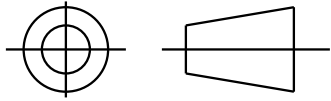


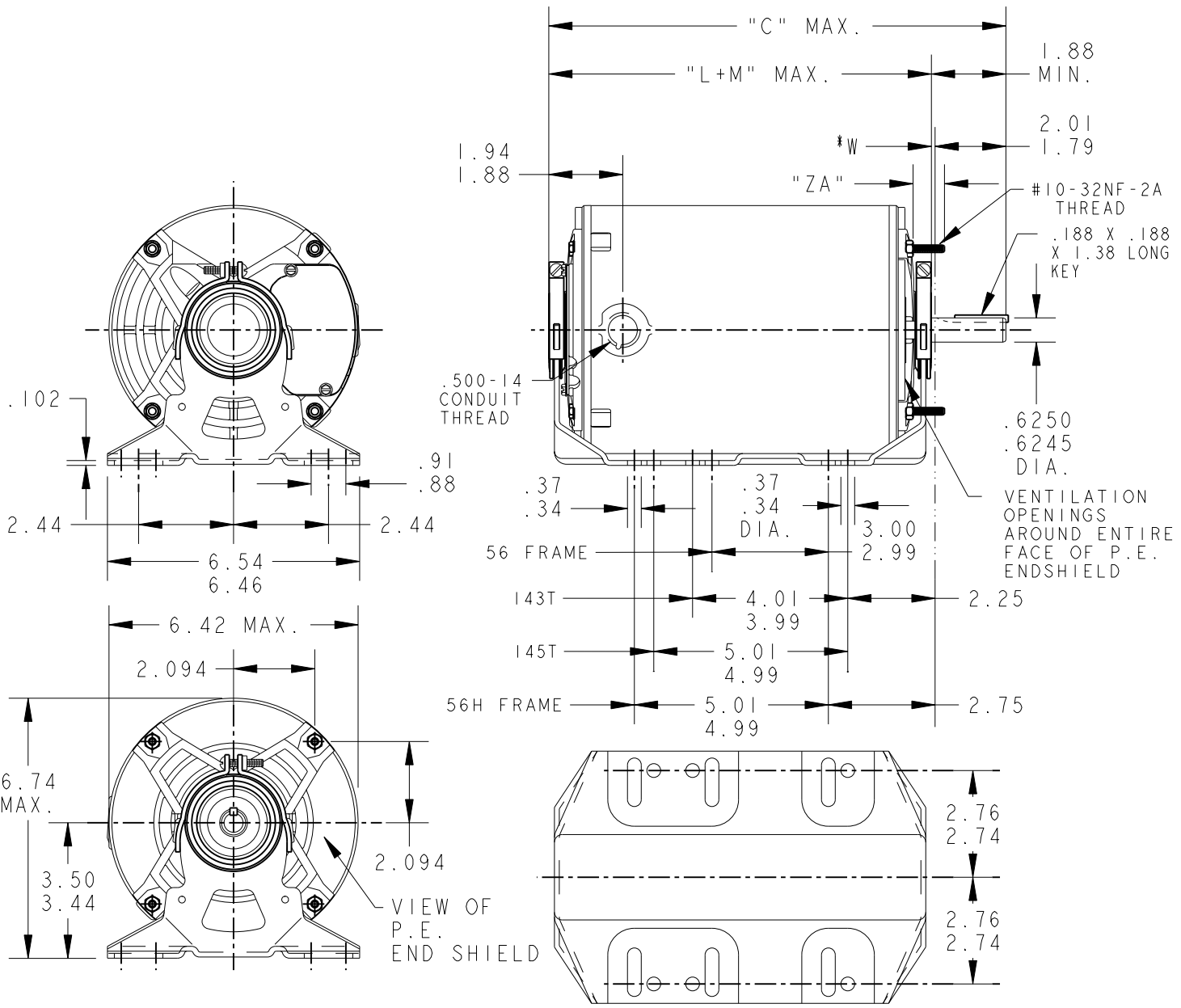
SHEET
REV
52A109604 2
SIZE DRAWING NO.
A

THIRD ANGLE PROJECTION




REVISIONS

REV.	DESCRIPTION	DATE	APPROVED
1	ADDED P2	03/29/94	M.A.M.
2	CHG TO RBC FORMAT PER ISO5-1777	03/21/06	SUDHA



2	K-KH	49	56H	12.01	10.01	7.68	.62
1	K-KH	48	56H	12.76	10.76	8.43	.62
P	TYPE	GE SIZE	NEMA FR	C	L+M	SHELL MIN.	ZA

*W IS A VARIABLE CLEARANCE DUE TO VARIATIONS IN PARTS AND ASSEMBLY

FOR ADDITIONAL INFO REFER TO: APPLIED PRACTICES DIMENSIONS ARE IN INCHES ✓ MATERIAL	SIGNATURES		DATE	 <p>REGAL-BELOIT CORPORATION</p> <p>TITLE OUTLINE</p> <p>GENERAL PURPOSE MOTOR - DRIP PROOF - BALL BEARING</p> <p>RESILIENT BASE - EXTENDED CLAMP SCREWS</p>	SIZE DRAWING A	SCALE: 0.250 REF. No: .	REV 52A109604 2
	MODEL	M.A.MARKS	03/25/94				
	DETAIL	.	.				
	CHECKED	.	.				
	ENGRG	.	.				
MFG	.	.					
QUALITY	.	.					
ISSUED	M.A.MARKS	03/25/94					
SOLID MODEL: 52A109604							SHEET 1 of 1