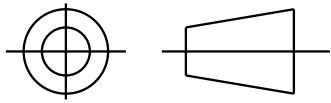


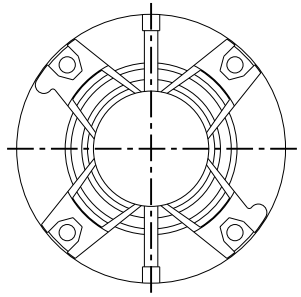
SHEET 1  
REV  
52A109851 1

THIRD ANGLE PROJECTION



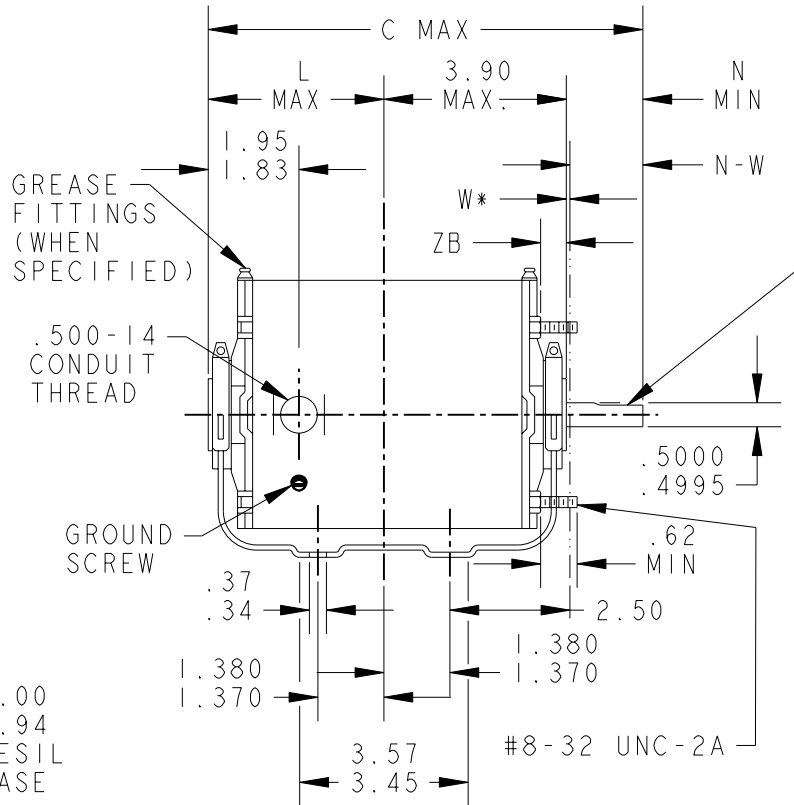
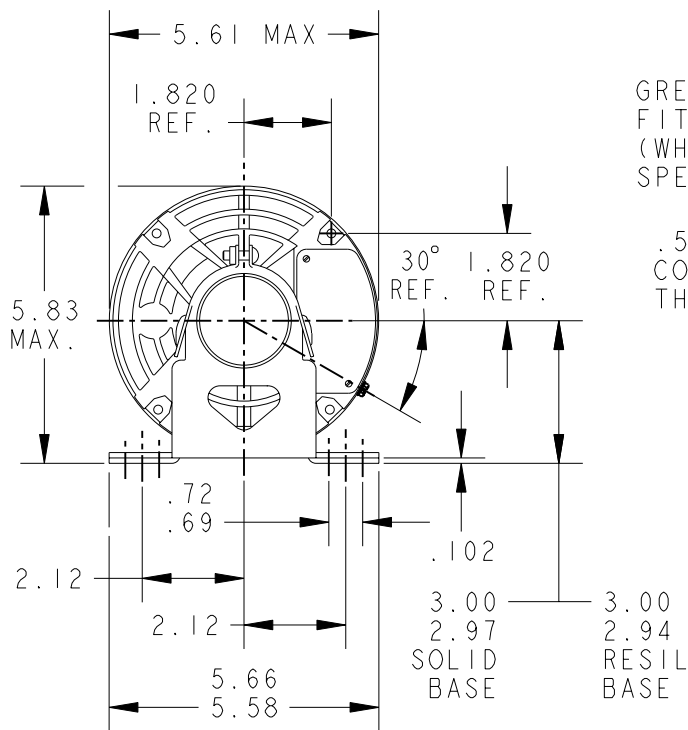
REVISIONS

REV.	DESCRIPTION	DATE	APPROVED
1	CHG TO RBC FORMAT PER ISO5-1777	04/03/06	SUDHA



VIEW SHOWING PE VENTILATION OPENINGS


.05 X (K) LG. FULL FLAT



\*W IS A CLEARANCE DUE TO VARIATION IN PARTS & ASSEMBLY.

I	K	33	48Z	9.57	1.54	3.84	1.88	2.01/1.79	.55/.52
PT	TYPE	GE SIZE	NEMA FR	C	K	L	N	N-W	ZB

SIGNATURES		DATE
MODEL	M. D. PAPE	07/24/96
DETAIL	.	.
CHECKED	.	.
ENGRG	.	.
MFG	.	.
FOR ADDITIONAL INFO REFER TO:	QUALITY	.
APPLIED PRACTICES	ISSUED	M. D. PAPE 07/24/96
DIMENSIONS ARE IN INCHES ✓	SOLID MODEL: 52A109851	



**REGAL-BELOIT CORPORATION**

**TITLE**  
**OUTLINE**  
**FORM N-GENERAL PURPOSE MOTOR-DRIP PROOF-SOLID**  
**OR RESIL BASE-BALL OR SLEEVE BEARING**

SCALE: 0.250 REF. No: .

SIZE	DRAWING	REV
A	52A109851	1
SHEET 1 of 1		

