

SHEET 1
REV 2
52A110547

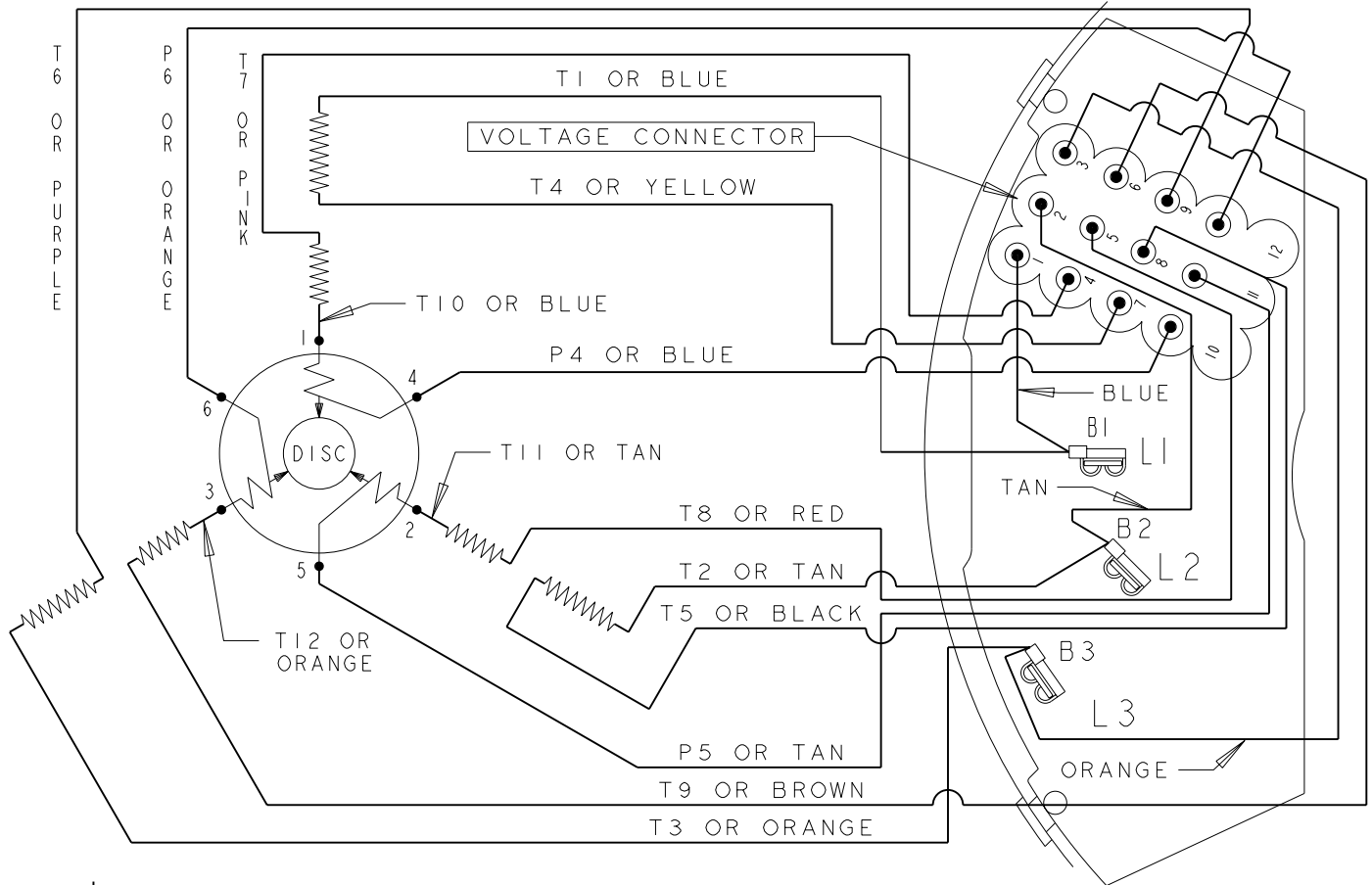
THIRD ANGLE PROJECTION



REVISIONS

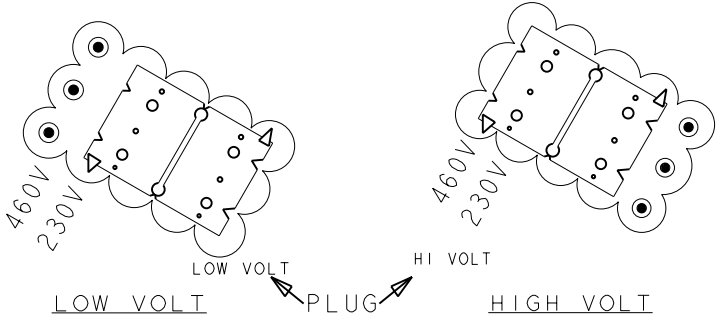
REV.	DESCRIPTION	DATE	APPROVED
2	UPDATED TO RBC FORMAT	01/17/06	MAM

TYPE K - DUAL VOLTAGE - THREE PHASE
THERMAL PROTECTION - VOLTAGE CONNECTION DEVICE



GROUND (WHEN REQ'D.)
NOTE #1 - TO REVERSE ROTATION, INTERCHANGE ANY TWO LINE CONNECTIONS TO L1, L2, OR L3.

BOTTOM VIEW OF TERMINAL BOARD



CONNECTIONS MADE BY PLUG
LOW = 1 TO 4, 7 TO 10, 2 TO 5, 8 TO 11, 3 TO 6, & 9 TO 12
HI = 4 TO 7, 5 TO 8, & 6 TO 9

TOP VIEW VOLTAGE CONNECTOR

CONNECTION LABEL - 52X333311

	SIGNATURES		DATE
	MODEL	N. MANGESH	12/12/01
DETAIL	.	.	
CHECKED	TAYLEN L.	12/15/01	
ENGRG	.	.	
MFG	.	.	
FOR ADDITIONAL INFO REFER TO:	QUALITY	.	.
APPLIED PRACTICES	ISSUED	TAYLEN L.	12/15/01
DIMENSIONS ARE IN INCHES ✓	SOLID MODEL: 52A110547		
MATERIAL			



REGAL-BELOIT CORPORATION

TITLE		CONNECTION DIAGRAM	
FMF: TYPE K - VOLTAGE CHANGE DEVICE - DUAL VOLTAGE			
SIZE	DRAWING	52A110547	REV
A			2
SCALE: 1.000	REF. No: .	SHEET 1 of 1	