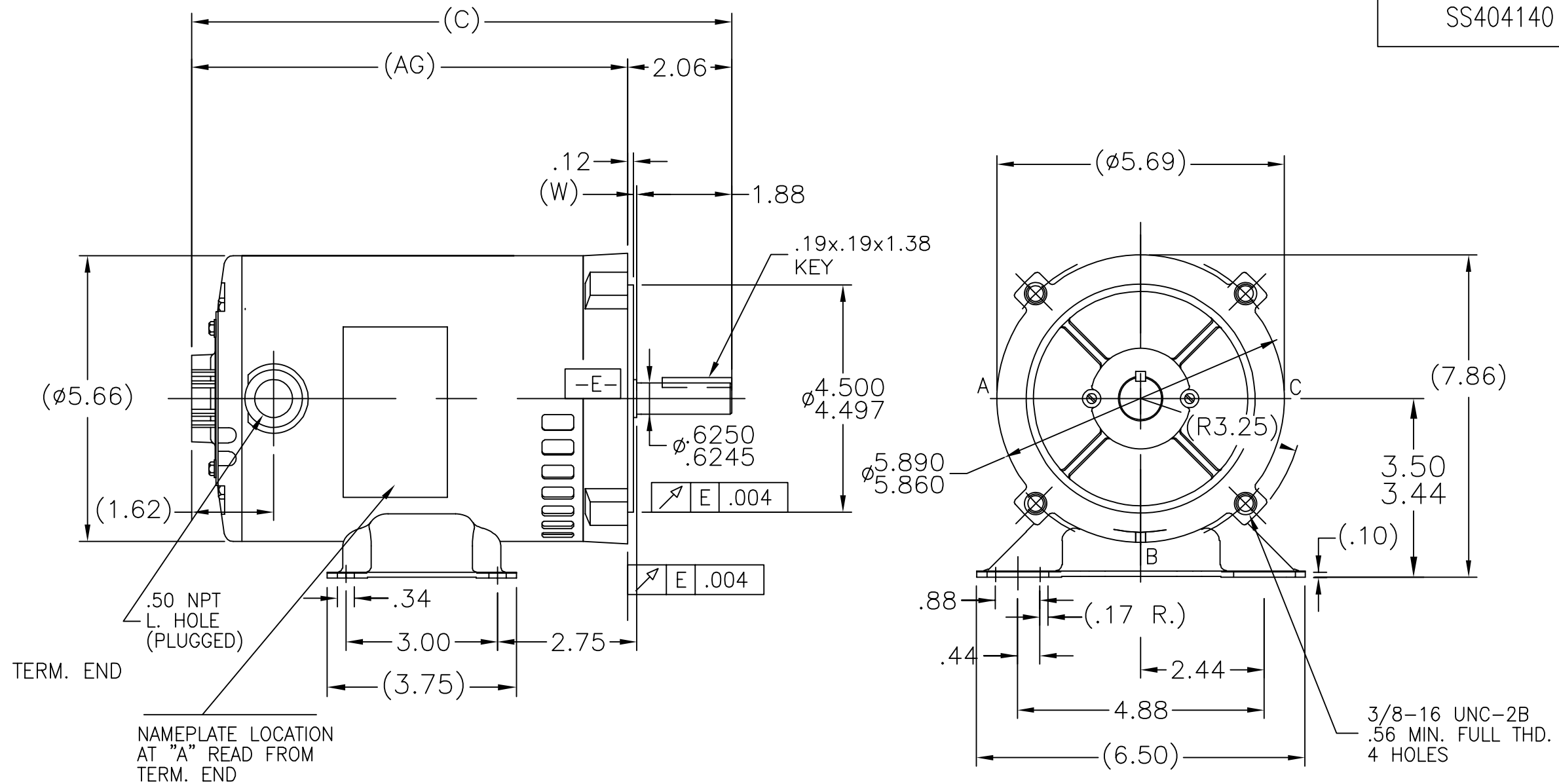


SS404140



DASH	C	AG	DASH	C	AG
625	10.19	8.13	725	11.19	9.13
650	10.44	8.38	750	11.44	9.38
675	10.69	8.63	775	11.69	9.63
700	10.94	8.88	800	11.94	9.88
			850	12.44	10.38

'W' = CLEARANCE ALLOWED FOR ALL VARIANCES IN MANUFACTURING & ASSEMBLY

		TOLERANCES UNLESS SPECIFIED		Regal Beloit America, Inc.	DRAWN PVR 01/02/15		
		DEC.	INCHES		CHK SM 01/02/15	APPD	
		.X	±.1		TITLE OUTLINE	SCALE 3=8	
		.XX	±.03			REF SS404135	
		.XXX	±.005			FMF	
		.XXXX	±.0005	PREV			
1	ADDED DASH# 850	SAJ 1/19/15	PI	MAT'L.			
NO.	REVISION	BY & DATE	CHK	ANG	±7'30"	FINISH	
THIS DRAWING IN DESIGN AND DETAIL IS OUR PROPERTY AND MUST NOT BE USED EXCEPT IN CONNECTION WITH OUR WORK ALL RIGHTS OF DESIGN AND INVENTION ARE RESERVED THIS IS AN ELECTRONICALLY GENERATED DOCUMENT - DO NOT SCALE THIS PRINT			RFP	CAD FILE SS404140		SIZE A	DRAWING NO. PAGE 1 OF 1 REV. SS404140 1
			DIST	WP			