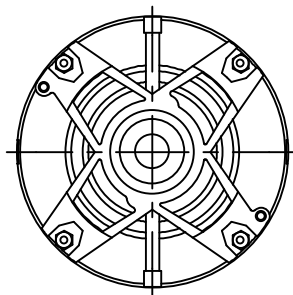
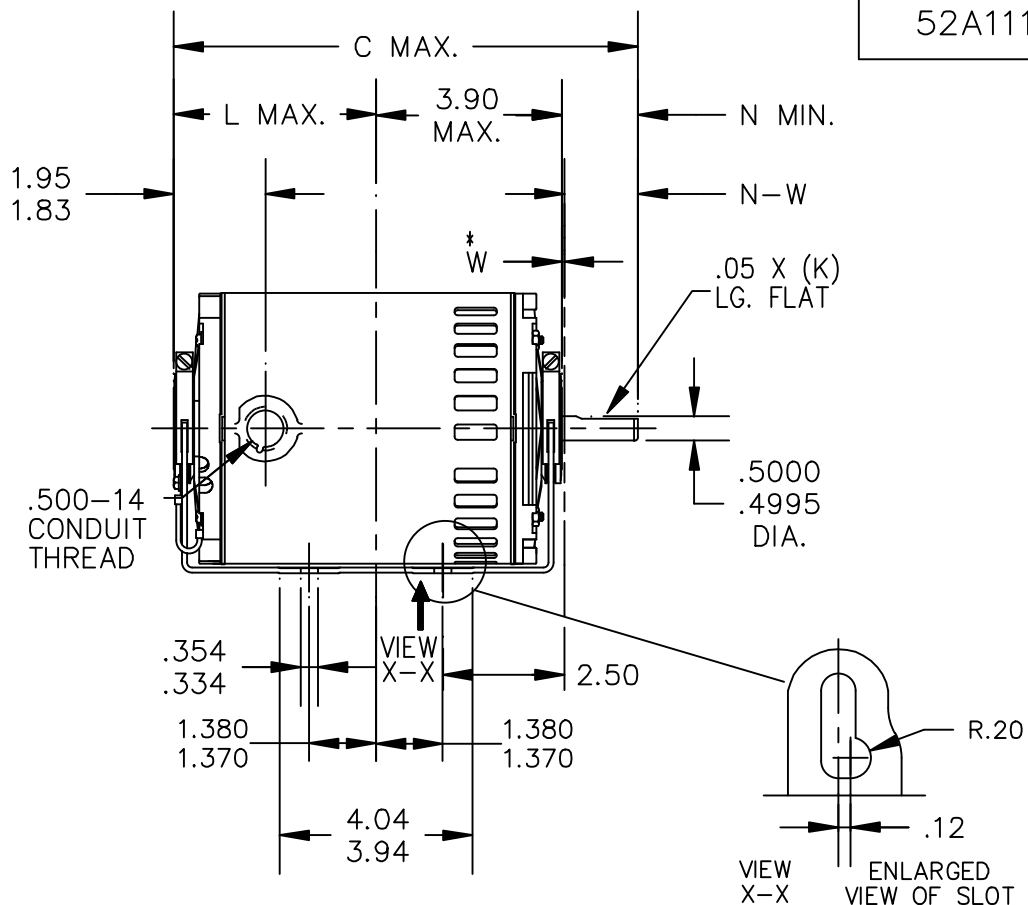
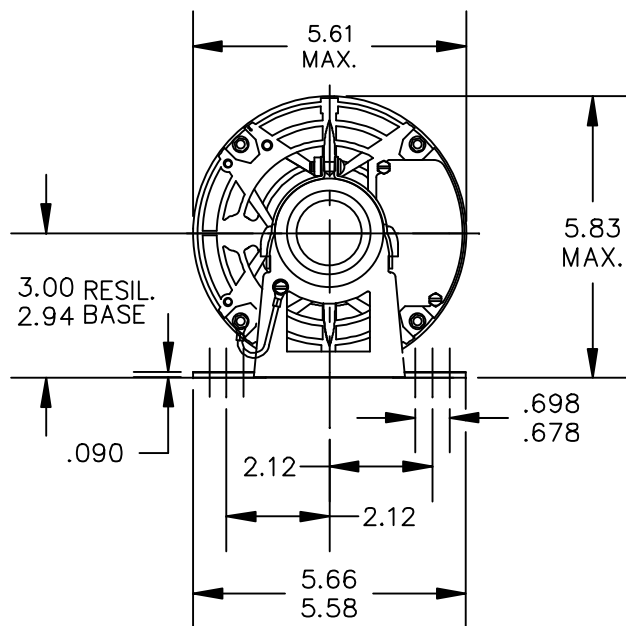


52A111771



VIEW SHOWING P.E. VENTILATION OPENINGS

W\* IS A CLEARANCE DUE TO VARIATION IN PARTS AND ASSEMBLY.

|   |      |          |         |     |      |      |      |      |           |
|---|------|----------|---------|-----|------|------|------|------|-----------|
| 4 | K    | KH       | 32      | 48Y | 8.94 | 1.25 | 3.59 | 1.50 | 1.63/1.41 |
| 3 | K    | KH       | 33      | 48Y | 9.19 | 1.16 | 3.84 | 1.50 | 1.63/1.41 |
| 2 | K    | KH       | 32      | 48Y | 8.94 | 1.16 | 3.59 | 1.50 | 1.63/1.41 |
| 1 | K    | KH       | 35      | 48Y | 9.57 | 1.16 | 4.22 | 1.50 | 1.63/1.41 |
| P | TYPE | RBC SIZE | NEMA FR | C   | K    | L    | N    | N-W  |           |

| NO.  | REVISION  | BY & DATE   | CHK | TOLERANCES UNLESS SPECIFIED |         | FINISH   | MAT'L.    | TITLE                    | DRAWN DS 02/26/07 |                  |
|--|---|-------------|-----|-----------------------------|---------|----------|-----------|--------------------------|-------------------|------------------|
|  |   |             |     | DEC.                        | INCHES  |          |           |                          |                   | APPD DS 02/26/07 |
| 3  | CHG GD LD 4:30 TO 7:30 PER IS11-0510 & REDRAWN IN DRAFT SIGHT | UD 9/24/12  | PKG | .X                          | ±0.1    |          |           | REGAL-BELOIT CORPORATION | CHK               |                  |
| 2  | ADDED P4 PER IS10 - 2231                                      | PN 9/16/10  |     | .XX                         | ±0.02   |          |           | REGAL-BELOIT CORPORATION | APPD DS 02/26/07  |                  |
| 1  | GROUND LEAD ADDED PER IS07-0531                               | BM 10/26/07 |     | .XXX                        | ±0.005  |          |           | REGAL-BELOIT CORPORATION | SCALE 1=1         |                  |
|  |   |             |     | .XXXX                       | ±0.0005 |          |           | REGAL-BELOIT CORPORATION | REF               |                  |
|  |   |             |     | ANG                         | ±1.0    |          |           | REGAL-BELOIT CORPORATION | FMF               |                  |
|  |   |             |     | RFP                         |         | CAD FILE | 52A111771 | REGAL-BELOIT CORPORATION | PREV              |                  |
|  |   |             |     | DIST                        |         |          |           | REGAL-BELOIT CORPORATION |                   |                  |
| THIS DRAWING IN DESIGN AND DETAIL IS OUR PROPERTY AND MUST NOT BE USED EXCEPT IN CONNECTION WITH OUR WORK ALL RIGHTS OF DESIGN AND INVENTION ARE RESERVED THIS IS AN ELECTRONICALLY GENERATED DOCUMENT - DO NOT SCALE THIS PRINT |   |             |     |                             |         |          |           | SIZE                     | DRAWING NO.       | REV.             |
|  |   |             |     |                             |         |          |           | A                        | 52A111771         | 3                |