

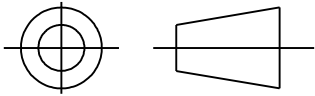
SHEET

REV

52A109311 4

SIZE DRAWING NO. A

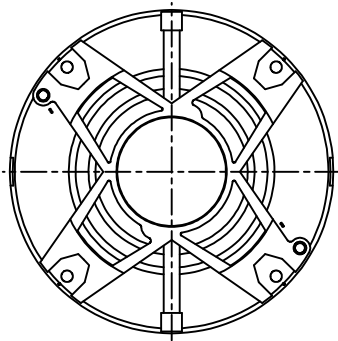
THIRD ANGLE PROJECTION



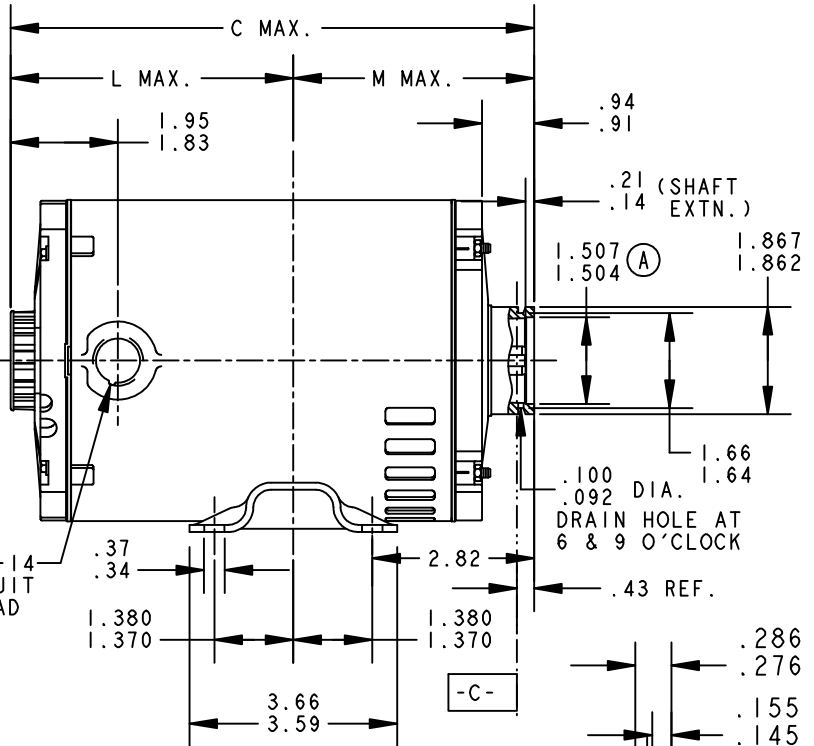
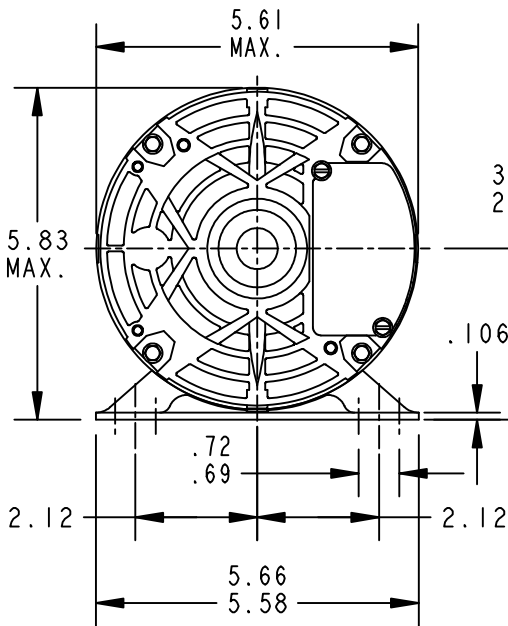
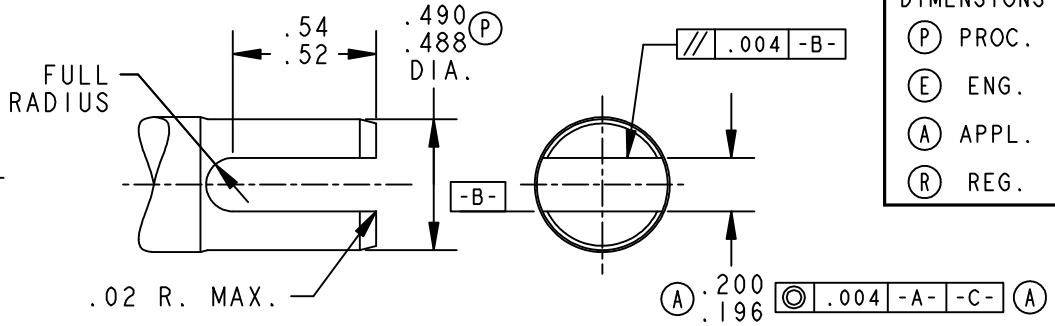
REVISIONS

REV.	DESCRIPTION	DATE	APPROVED
4	CHG TO RBC FORMAT PER ISO5-1777	03/09/06	SUDHA

CONTROL SURFACES & DIMENSIONS  
 (P) PROC.  
 (E) ENG.  
 (A) APPL.  
 (R) REG.



VIEW SHOWING P.E. VENTILATION OPENINGS



3	KCR	35	48Y	8.32	4.18	4.28
2	KH	33	48Y	7.94	3.80	4.28
1	KH	32	48Y	7.69	3.55	4.28
P	TYPE	GE SIZE	NEMA FR	C	L	M

SIGNATURES		DATE
MODEL	M.D.PAPE	11/12/93
DETAIL	.	.
CHECKED	.	.
ENGRG	.	.
MFG	.	.
FOR ADDITIONAL INFO REFER TO:	QUALITY	.
APPLIED PRACTICES	ISSUED	M.D.PAPE 11/12/93
DIMENSIONS ARE IN INCHES	SOLID MODEL: 52A109311	



REGAL-BELOIT CORPORATION

TITLE	<b>OUTLINE</b>	
	<b>CARBONATOR PUMP - OPEN - WELDED BASE - SLV. BRG.</b>	
SIZE DRAWING	A	52A109311
SCALE:	0.250	REF. No: .
		SHEET 1 of 1