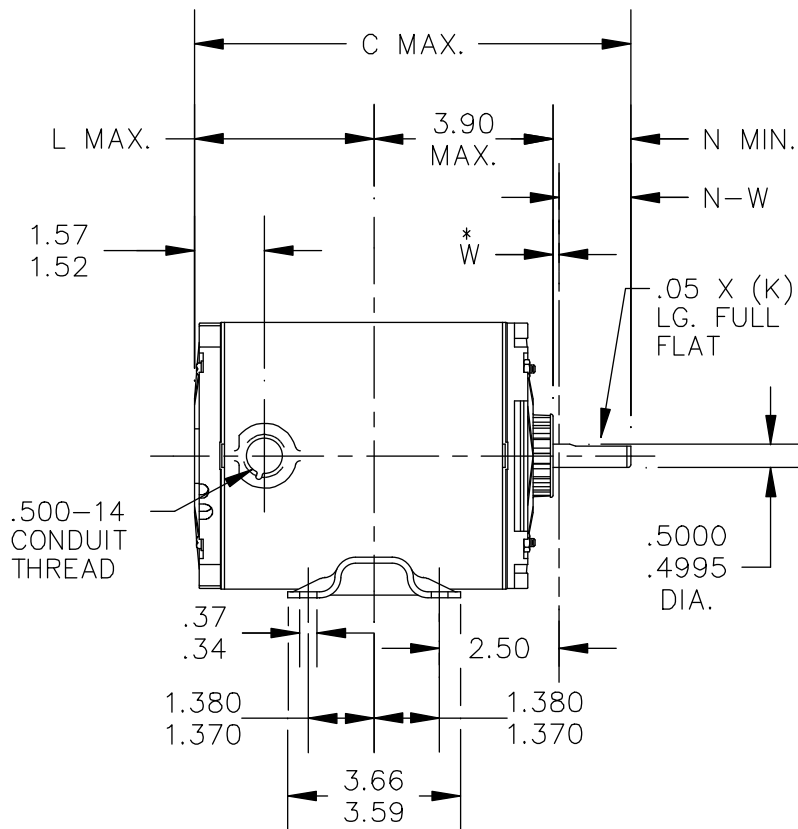
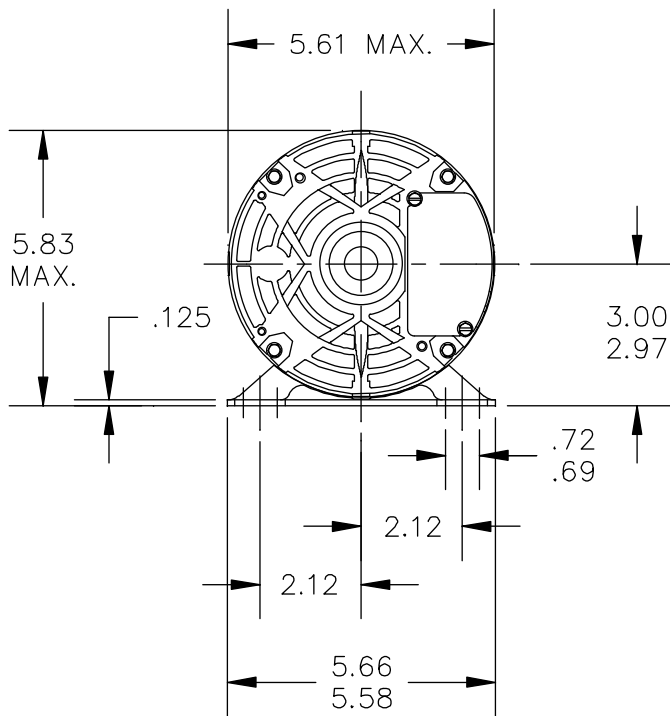


VIEW SHOWING  
P.E. VENTILATION  
OPENINGS



W\* IS A CLEARANCE DUE  
TO VARIATION IN  
PARTS AND ASSEMBLY.

3	K	33	48	9.19	1.54	3.41	1.50	1.63/1.41
2	KH	36	48	9.66	1.16	4.65	1.50	1.63/1.41
1	KH	35	48	9.23	1.16	4.25	1.50	1.63/1.41
P	TYPE	RBC SIZE	NEMA FR	C	K	L	N	N-W

NO.	REVISION	BY & DATE	CHK	ANG	TOLERANCES UNLESS SPECIFIED	
					DEC.	INCHES
5	REDRAWN IN DRAFT SIGHT NO CHANGES	UD 10/18/12	PKG			
4	MOD. "K" DIM. IN P#3 FROM 1.16 TO 1.54	MD 09/19/08		.X	±0.1	
3	CHG PT# 3 "C" DIM PER IS06-0429	PKG 05/08/06		.XX	±0.02	
2	UPDATED AS PER ISAAC 05-3081	PKG 12/02/05		.XXX	±0.005	
1	ADDED P # 3	M.A.M07/08/94		.XXXX	±0.0005	

**REGAL-BELOIT CORPORATION**

DRAWN M.D.P 03/14/94

CHK

APPD M.D.P 03/14/94

SCALE 1=1

REF

FMF

PREV

TITLE: **OUTLINE**

DRIP PROOF WELDED BASE

<p>THIS DRAWING IN DESIGN AND DETAIL IS OUR PROPERTY AND MUST NOT BE USED EXCEPT IN CONNECTION WITH OUR WORK. ALL RIGHTS OF DESIGN AND INVENTION ARE RESERVED. THIS IS AN ELECTRONICALLY GENERATED DOCUMENT - DO NOT SCALE THIS PRINT</p>	<p>RFP</p> <p>DIST</p>	<p>CAD FILE 52A109504</p>	<p>SIZE A</p>	<p>DRAWING NO. 52A109504</p>	<p>REV. 5</p>
---	------------------------	---------------------------	---------------	------------------------------	---------------