

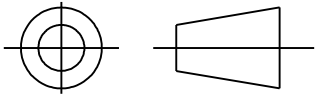
SHEET

REV

52A102479 6

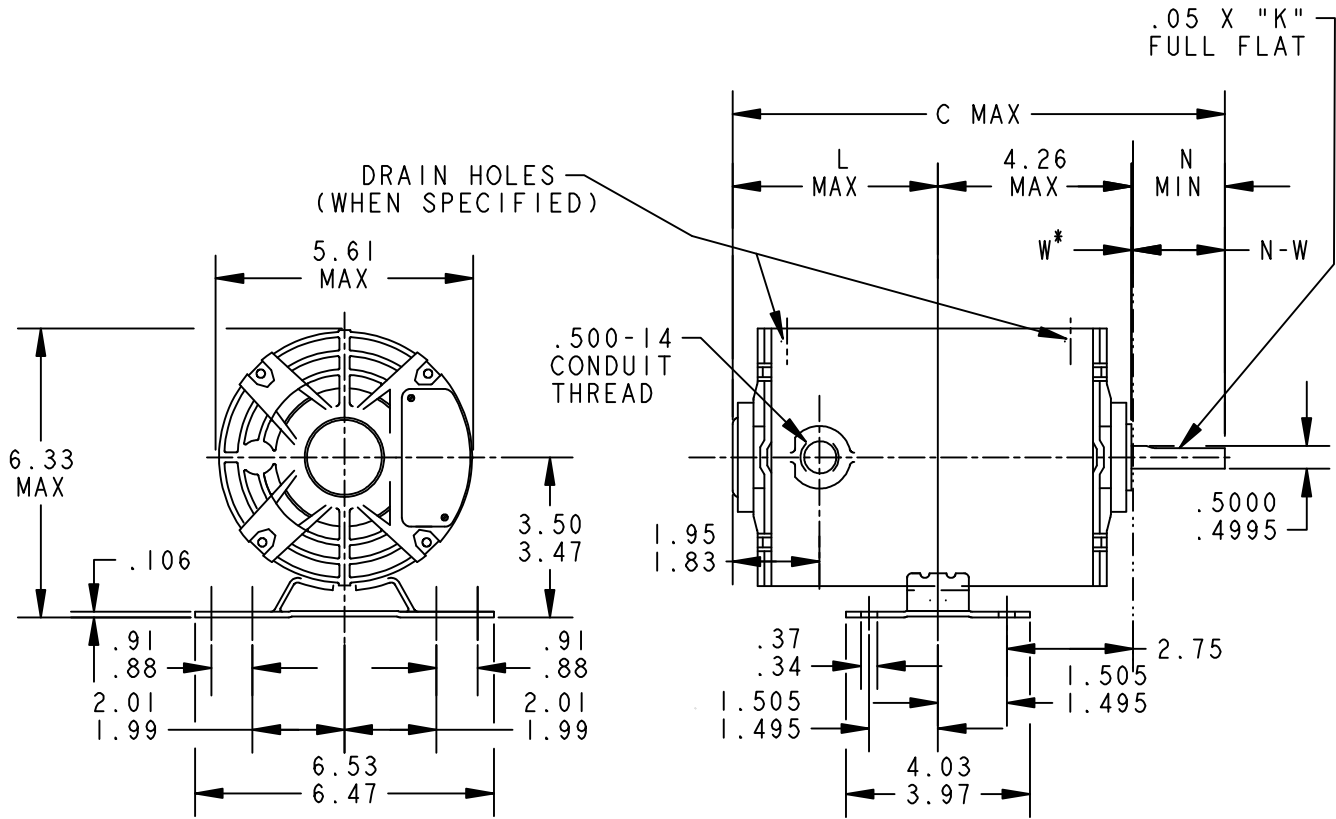
SIZE DRAWING NO. A

THIRD ANGLE PROJECTION

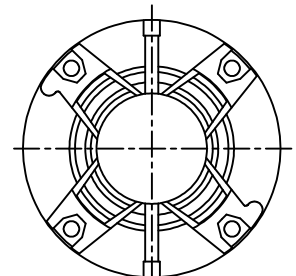


REVISIONS

REV.	DESCRIPTION	DATE	APPROVED
5	REDRAWN NO CHANGE T196-22390	07/29/96	MDP
6	FORMAT CHG PER ISAAC 05-1777	01/04/06	RAJKUMAR




VIEW SHOWING PE VENTILATION OPENINGS



*W IS A CLEARANCE DUE TO VARIATION IN PARTS & ASSEMBLY.

2	KH	36	56Z	10.00	1.16	4.29	1.50	1.63/1.41
1	KH	35	56Z	9.57	1.16	3.86	1.50	1.63/1.41
PT	TYPE	GE SIZE	NEMA FR	C	K	L	N	N-W

SIGNATURES		DATE	 REGAL-BELOIT CORPORATION
MODEL	RRF	11/08/77	
DETAIL	.	.	TITLE OUTLINE FORM N-GENERAL PURPOSE MOTOR-DRIP PROOF WELDED BASE-BALL OR SLEEVE BEARING
CHECKED	.	.	
ENGRG	.	.	
MFG	.	.	
FOR ADDITIONAL INFO REFER TO:	QUALITY	.	SIZE DRAWING
APPLIED PRACTICES	ISSUED	MDP 07/29/96	52A102479
MATERIAL	SOLID MODEL: 52A102479		REF. No: . SCALE: 0.250 SHEET 1 of 1