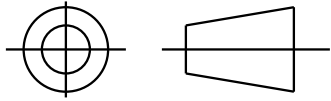


SHEET 1
REV 3
52A103321

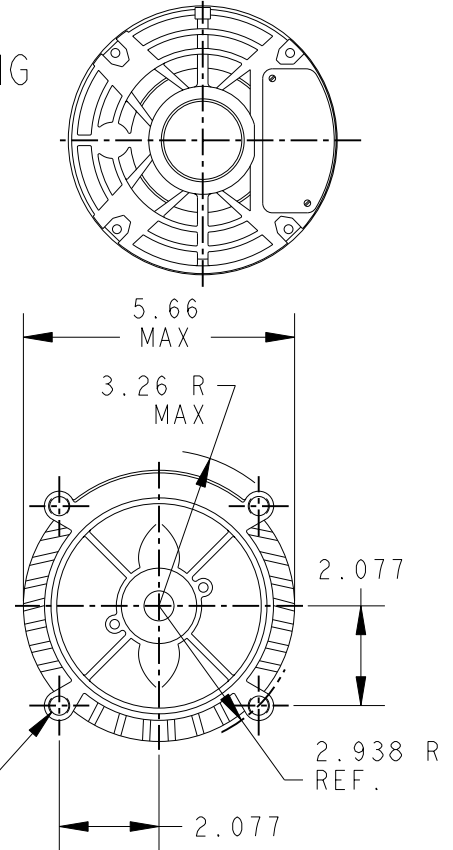
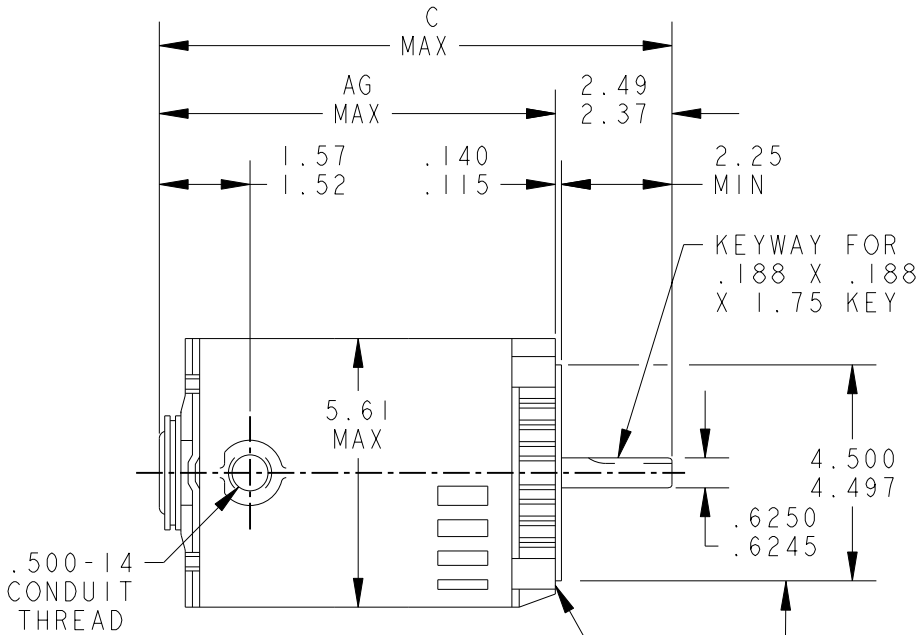
THIRD ANGLE PROJECTION



REVISIONS

REV.	DESCRIPTION	DATE	APPROVED
1	REDRAWN BY 2M SOFTWARE CO.	07/06/96	AAU
2	CHG TO RBC FORMAT PER ISO5-1777	02/02/06	SUDHA
3	UPDATED AS PER ISAAC 06-0159	02/09/06	PRAVEEN.K

VIEW FACING
LEAD END



FACE RUNOUT (WITH INDICATOR MOUNTED STATIONARY, RELATIVE TO SHAFT) MUST NOT EXCEED .010 TIR

ECCENTRICITY OF THIS SURFACE (WITH INDICATOR MOUNTED STATIONARY RELATIVE TO SHAFT) MUST NOT EXCEED .010 TIR

.375-16 UNC-2B (4 HOLES) .82 MIN. FULL THD. THESE HOLES FIT A GAGE HAVING A RABBET 4.5005 DIA. AND 4 PINS .2917 DIA. LOCATED ON THE BASIC HOLE POSITIONS.

5	KH	37	56CZ	11.08	8.61	
4	KH	36	56CZ	10.68	8.21	
3	KH	35	56CZ	10.25	7.78	
2	KH	33	56CZ	9.87	7.40	
1	KH	32	56CZ	9.62	7.15	
PT	TYPE	GE SIZE	NEMA FR	C	AG	SHELL REF

		SIGNATURES	DATE
MODEL		MDP	12/11/79
DETAIL		.	.
CHECKED		.	.
ENGRG		.	.
MFG		.	.
FOR ADDITIONAL INFO REFER TO:		QUALITY	.
APPLIED PRACTICES		ISSUED	AAU 07/06/96
DIMENSIONS ARE IN INCHES ✓		SOLID MODEL: 52A103321	



REGAL-BELOIT CORPORATION

TITLE	
OUTLINE	
FORM "N" MOTOR-DRIP PROOF	
R2 END MOUNTED-SLEEVE & BALL BEARING FMF 5KH37PN171	
SIZE	DRAWING
A	52A103321
SCALE: 0.250	REF. No: .
SHEET 1 of 1	

REV 3