

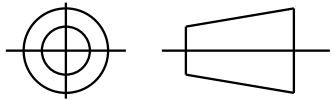
RBC PROPRIETARY AND CONFIDENTIAL INFORMATION

This document is the property of REGAL BELOIT CORPORATION ("RBC") including its subsidiaries and divisions and contains proprietary information of RBC. This document is loaned on the express condition that neither it nor the information contained therein shall be disclosed to others without the express written consent of RBC, and that the information shall be used by the recipient only as approved expressly by RBC. This document shall be returned to RBC upon its request. This document may be subject to certain restrictions under U.S. export control laws and regulations.

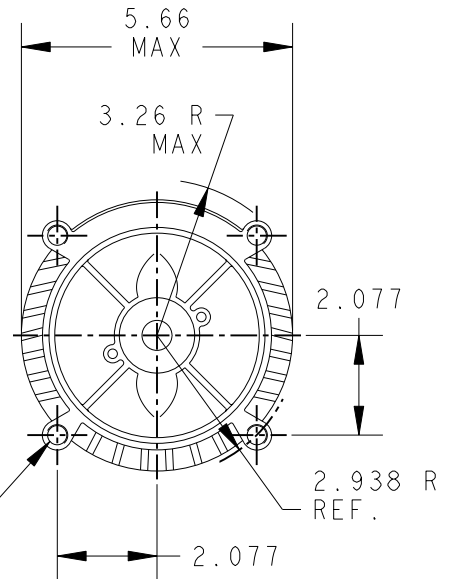
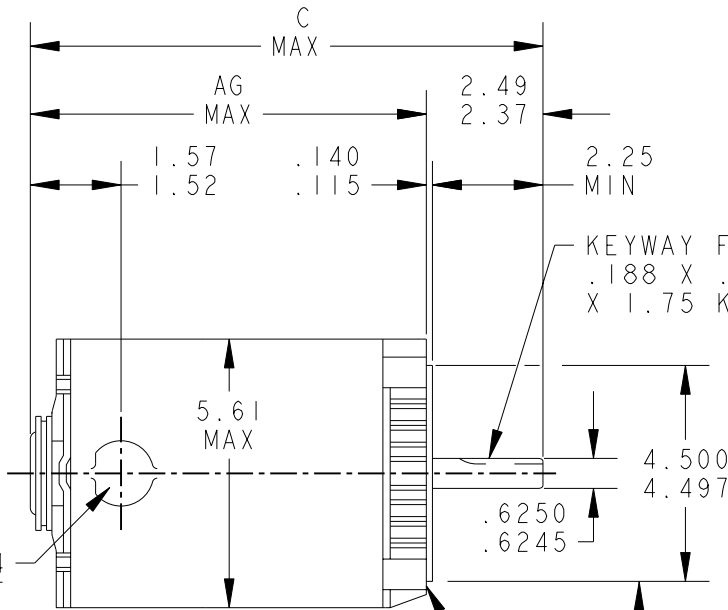
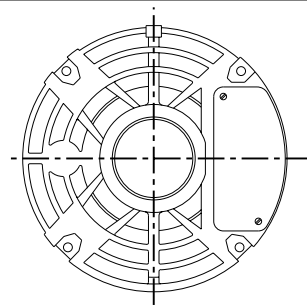
REVISIONS

| REV. | DESCRIPTION | DATE | APPROVED |
|------|------------------------------|----------|-----------|
| 5 | REDRAWN NO CHANGE T196-22390 | 9/9/96 | MDP |
| 6 | UPDATED AS PER IS05-2685 | 10/21/05 | PRAVEEN.K |

THIRD ANGLE PROJECTION



VIEW FACING
LEAD END



.375-16 UNC-2B (4 HOLES)
.82 MIN. FULL THD. THESE
HOLES FIT A GAGE HAVING A
RABBET 4.5005 DIA. AND 4
PINS .2917 DIA. LOCATED ON
THE BASIC HOLE POSITIONS.

FACE RUNOUT (WITH INDICATOR MOUNTED STATIONARY, RELATIVE TO SHAFT) MUST NOT EXCEED .010 TIR

ECCENTRICITY OF THIS SURFACE (WITH INDICATOR MOUNTED STATIONARY RELATIVE TO SHAFT) MUST NOT EXCEED .010 TIR

| 5 | KH | 37 | 56CZ | 11.08 | 8.61 | |
|----|------|---------|---------|-------|------|-----------|
| 4 | KH | 36 | 56CZ | 10.68 | 8.21 | |
| 3 | KH | 35 | 56CZ | 10.25 | 7.78 | |
| 2 | KH | 33 | 56CZ | 9.87 | 7.40 | |
| 1 | KH | 32 | 56CZ | 9.62 | 7.15 | |
| PT | TYPE | GE SIZE | NEMA FR | C | AG | SHELL REF |

FOR ADDITIONAL INFO REFER TO:

APPLIED PRACTICES

DIMENSIONS ARE IN INCHES

TOLERANCE ON:

1 PL DECIMALS ± 0.1

2 PL DECIMALS ± 0.02

3 PL DECIMALS ± 0.005

ANGLES ± 1.0

FRACTIONS ±

FINISH



SIGNATURES

DATE

MODEL

DETAIL

CHECKED

ENGRG

MFG

QUALITY

ISSUED

BCC

09/02/77

MDP

9/9/96



REGAL-BELOIT CORPORATION

TITLE

OUTLINE

FORM "N" MOTOR-DRIP PROOF R2 END MOUNTED
-SLEEVE & BALL BEARING. FMF 5KH32DN111

SIZE DRAWING

A

52A102411

REV

6

MATERIAL

SOLID MODEL: 52A102411

SCALE: 1.000

REF. No: .

SHEET 1 of 1