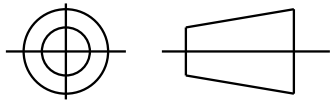


SHEET 1
 REV 10
 SIZE 52A101954
 DRAWING NO. A

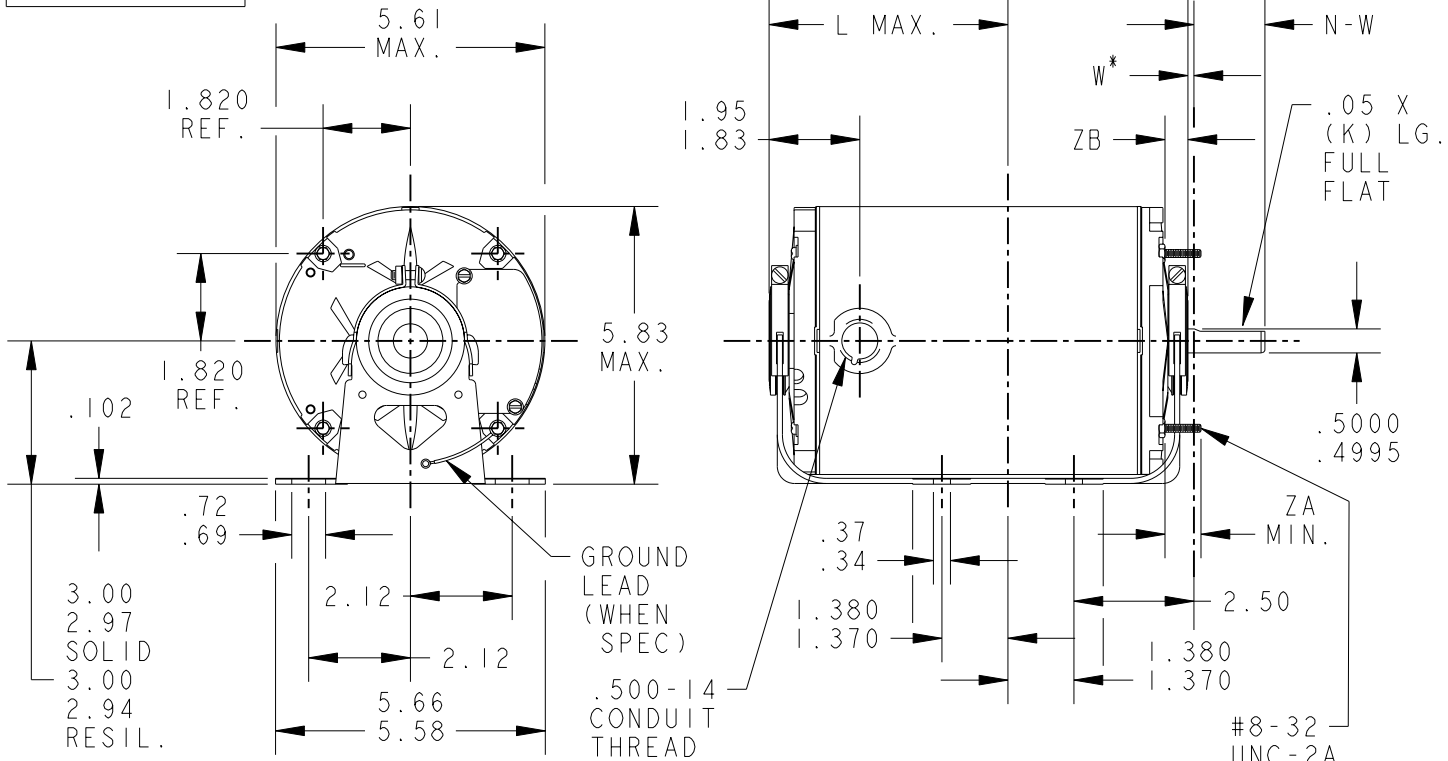
THIRD ANGLE PROJECTION



REVISIONS

REV.	DESCRIPTION	DATE	APPROVED
9	CHG TO RBC FORMAT AS PER IS05-1777	12/21/05	GOVARDAN
10	UPDATED PER IS07-0218	2/15/07	GOVARDAN


CONTINUED ON
52A106909



W* IS A CLEARANCE DUE TO VARIATION IN PARTS AND ASSEMBLY.

7	K	36	48Z	10.50	1.66	4.65	2.00	2.13/1.91	.55/.52	.62
6	KH	32	48	8.94	1.16	3.59	1.50	1.63/1.41	.55/.52	1.31
5	KH	37	48	10.40	1.16	5.05	1.50	1.63/1.41	.55/.52	.62
4	KH	36	48	10.00	1.16	4.65	1.50	1.63/1.41	.55/.52	.62
3	KH	35	48	9.57	1.16	4.22	1.50	1.63/1.41	.55/.52	.62
2	KH	33	48	9.19	1.16	3.84	1.50	1.63/1.41	.55/.52	.62
1	KH	32	48	8.94	1.16	3.59	1.50	1.63/1.41	.55/.52	.62
P	TYPE	RBC SIZE	NEMA FR	C	K	L	N	N-W	ZB	ZA

SIGNATURES		DATE
MODEL	F.P.K	10/18/76
DETAIL	.	.
CHECKED	.	.
ENGRG	.	.
MFG	.	.
FOR ADDITIONAL INFO REFER TO:	QUALITY	.
APPLIED PRACTICES	ISSUED	MDP 05/24/96
DIMENSIONS ARE IN INCHES ✓	SOLID MODEL: 52A101954	



REGAL-BELOIT CORPORATION

TITLE: **OUTLINE**

FORM N - GENERAL PURPOSE MOTOR - TENV - SOLID OR RESIL BASE - BALL OR SLEEVE BEARING

SIZE: DRAWING A

SCALE: 1.000 REF. No: . SHEET 1 of 1

52A101954 10