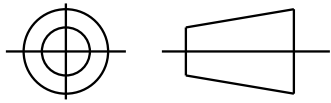


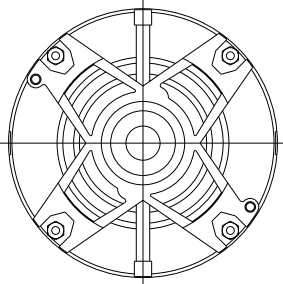
SHEET 1
REV 3
52A106982
SIZE DRAWING NO. A

THIRD ANGLE PROJECTION

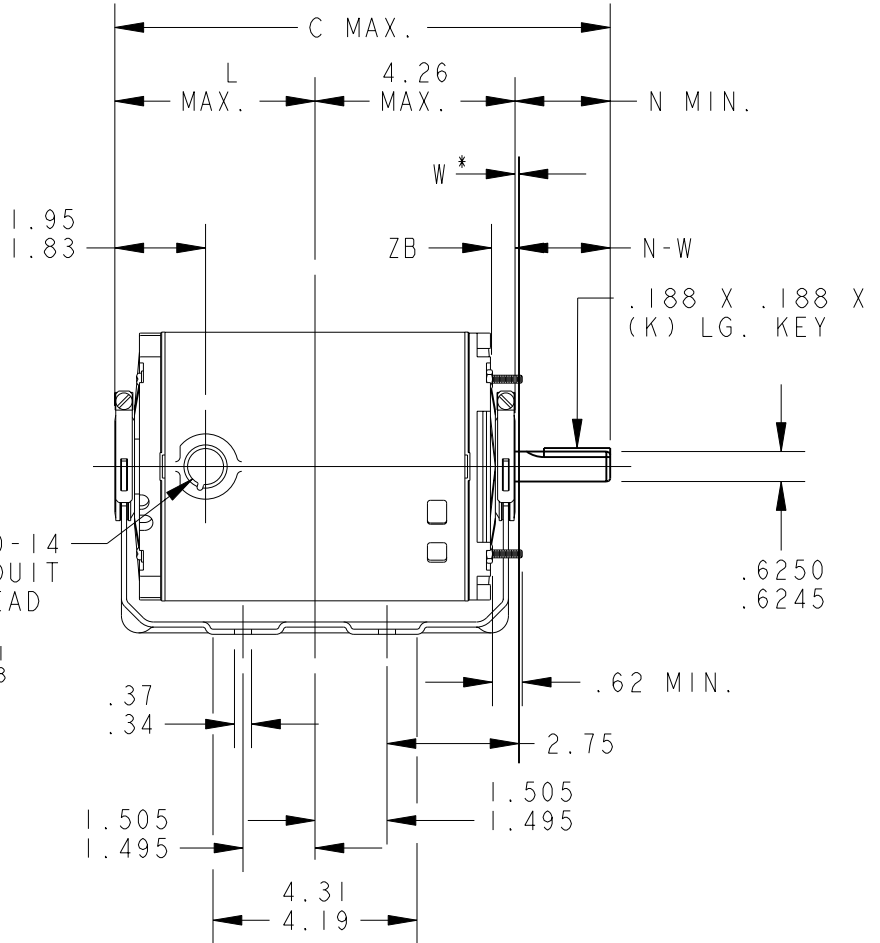
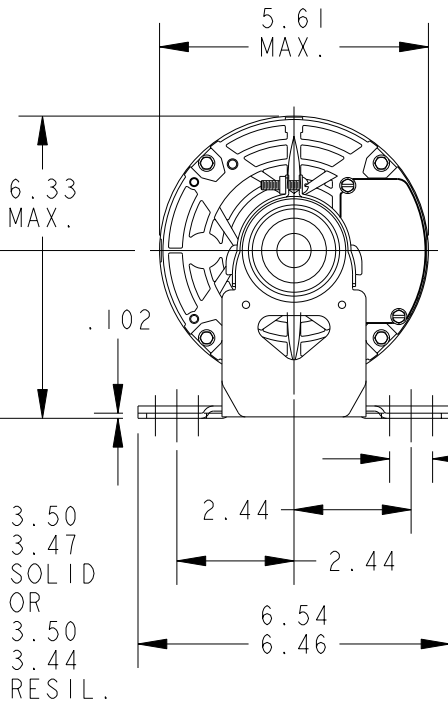


REVISIONS

REV.	DESCRIPTION	DATE	APPROVED
1	REDRAWN WITHOUT CHANGE	04/28/92	BLJ
2	REDRAWN BY 2M SOFTWARE CO.	03/05/95	CCP
3	CHG TO RBC FORMAT PER ISO5-1777	02/15/06	SUDHA




VIEW SHOWING
P.E. VENTILATION
OPENINGS



I	KH	36	56	10.32	1.38	4.23	1.88	2.01/1.79	.69/.59
P	TYPE	GE SIZE	NEMA FR	C	K	L	N	N-W	ZB

W* IS A CLEARANCE
DUE TO VARIATION
IN PARTS AND
ASSEMBLY.

SIGNATURES		DATE
MODEL	M.A.M.	10/09/89
DETAIL	.	.
CHECKED	.	.
ENGRG	.	.
MFG	.	.
QUALITY	.	.
ISSUED	C.C.P.	03/05/95
SOLID MODEL: 52A106982		



REGAL-BELOIT CORPORATION

TITLE **OUTLINE**

**FORM N - GENERAL PURPOSE MOTOR - DRIP PROOF -
SOLID OR RESIL. BASE - BALL OR SLEEVE BEARING FMF: 5KH39QN9631T**

SIZE DRAWING **52A106982** REV **3**

SCALE: 0.250 REF. No: SHEET 1 of 1

