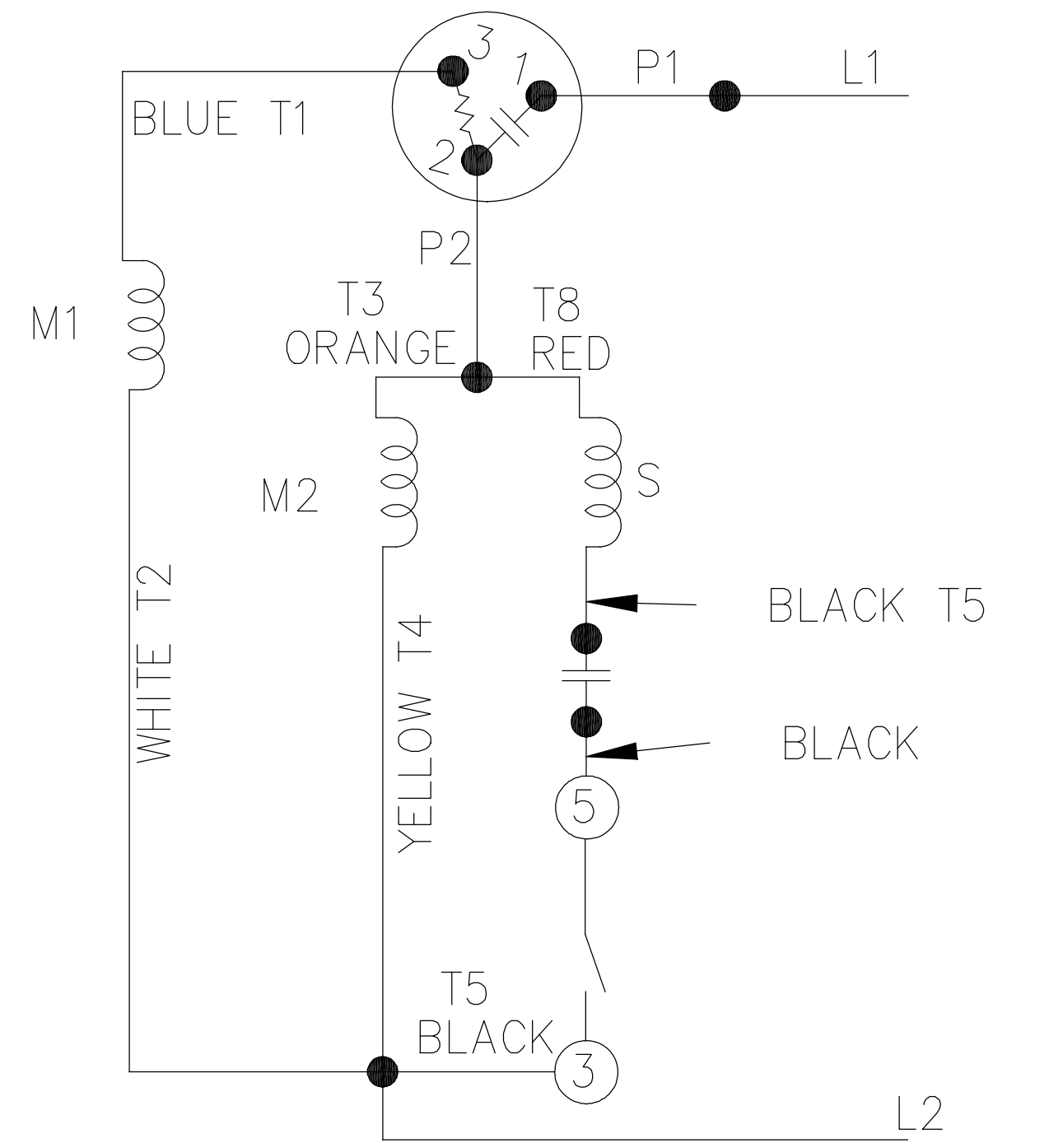
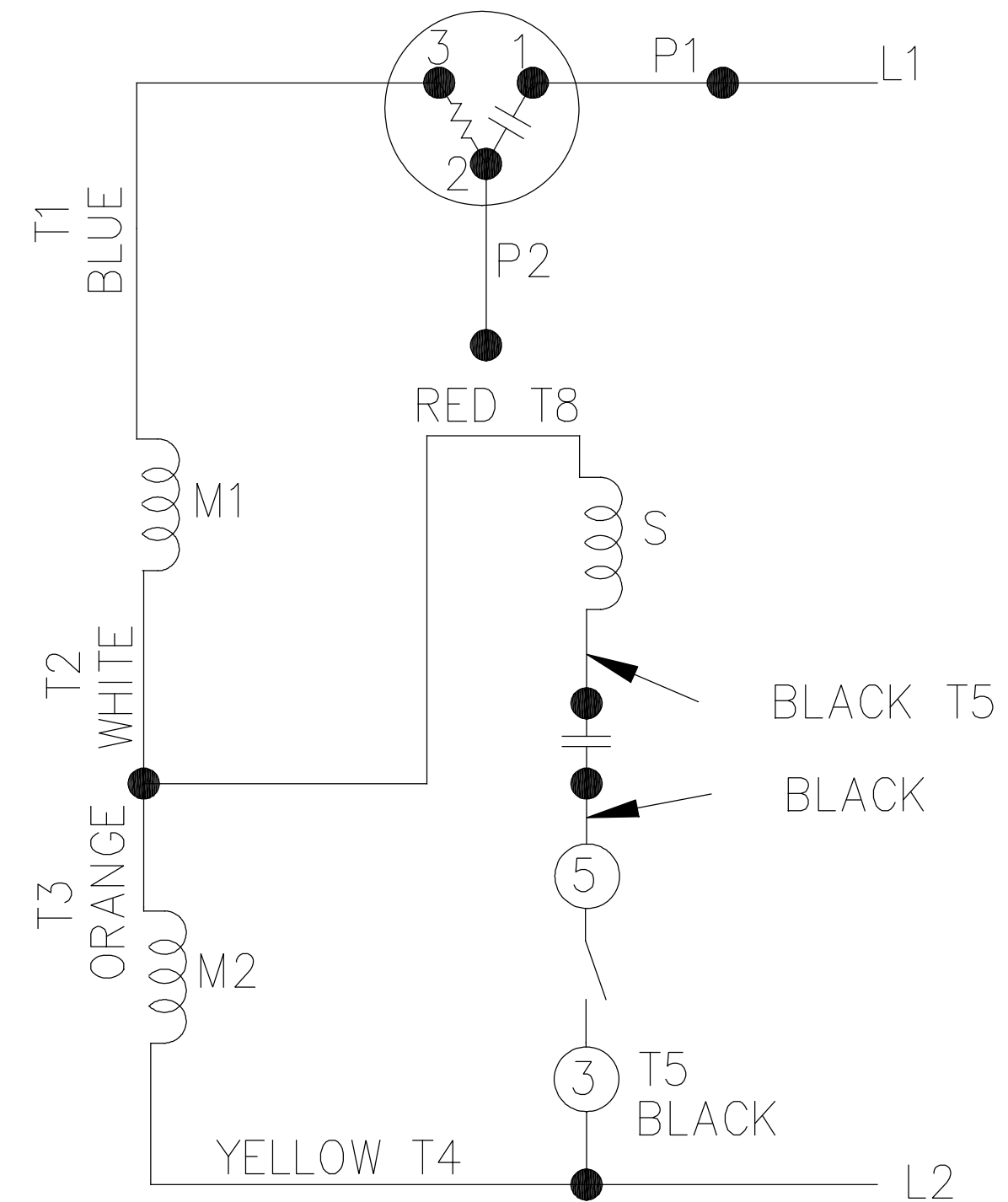


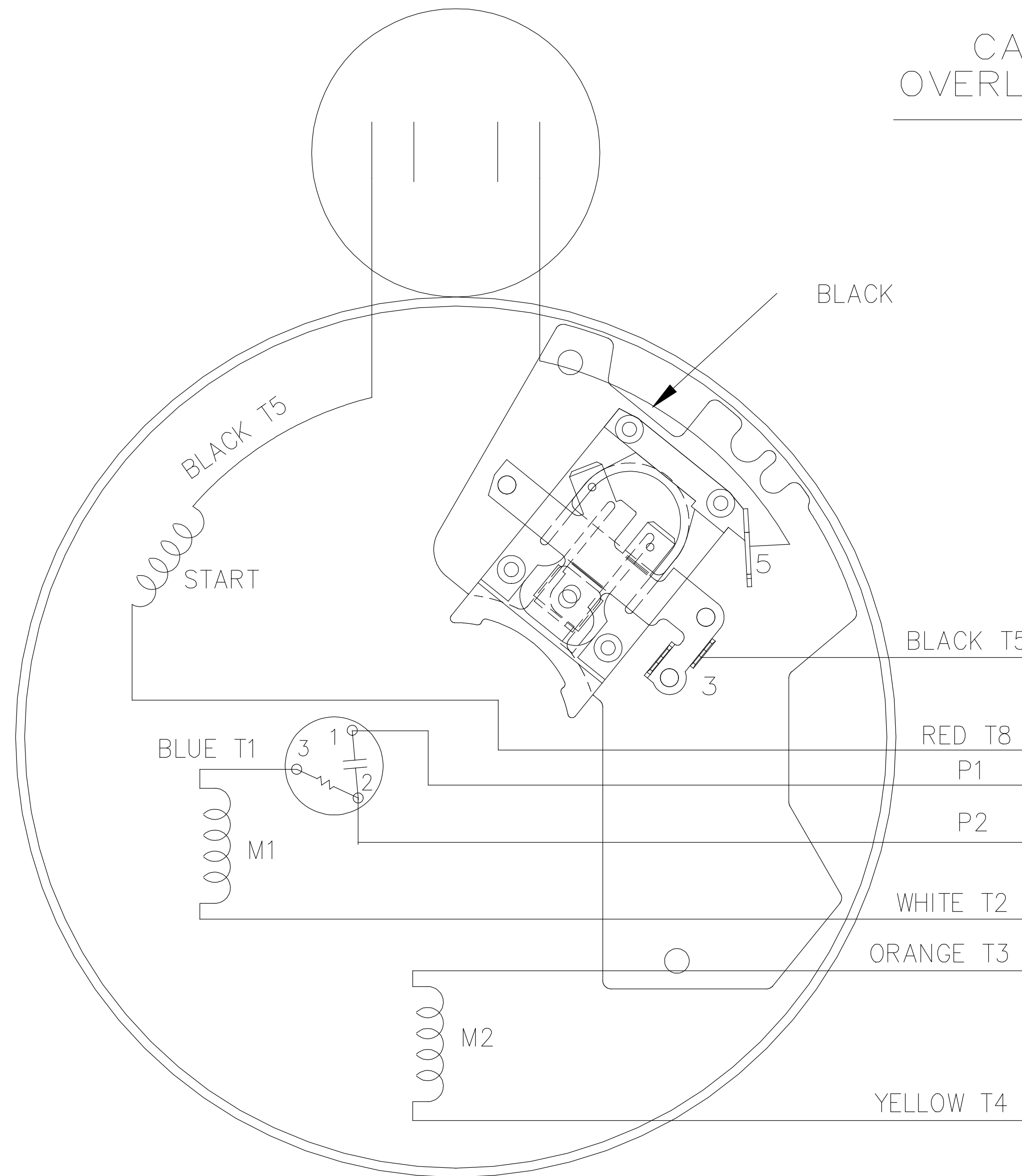
LOW VOLTAGE - C.C.W.



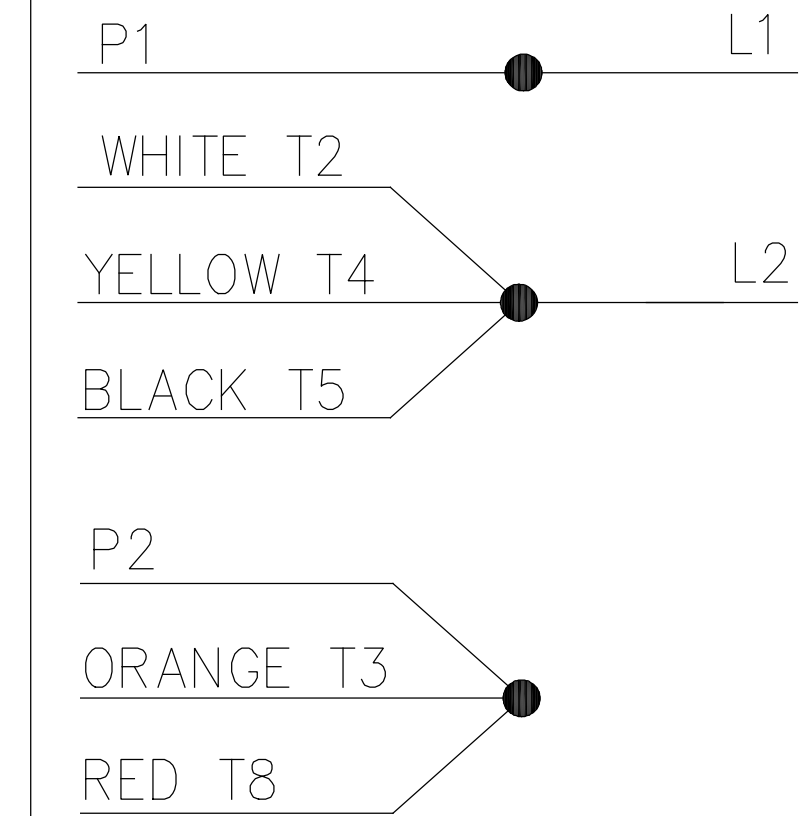
HIGH VOLTAGE - C.C.W.



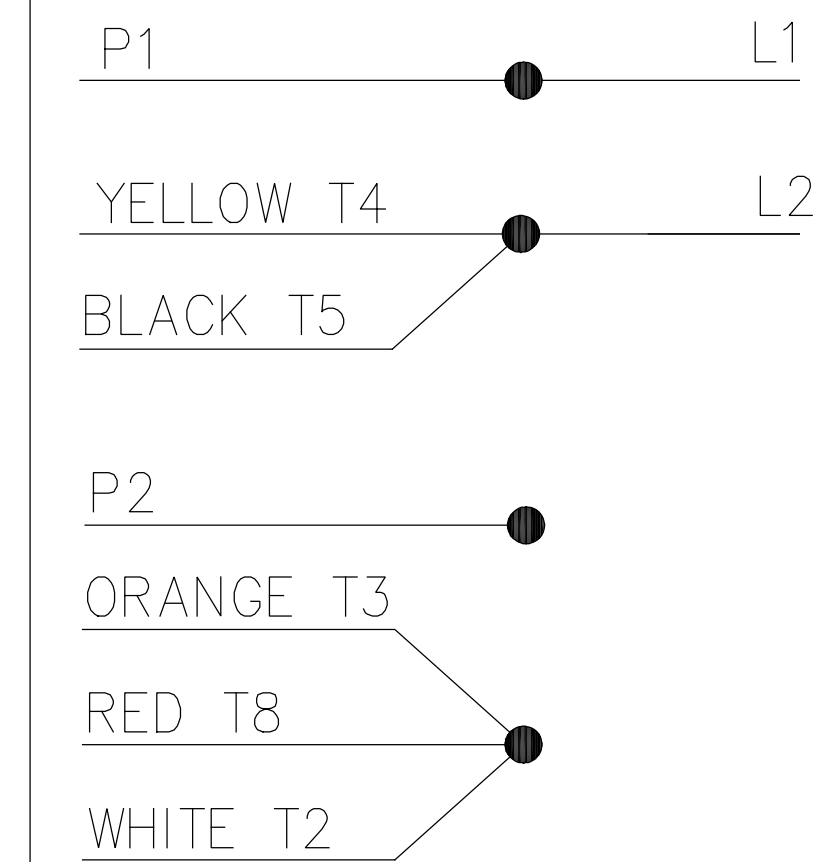
DUAL VOLTAGE
CAPACITOR START
OVERLOAD SELECT ROT.



LOW VOLT. - C.C.W. ROT.



HIGH VOLT. - C.C.W. ROT.



FOR C.W. ROTATION
EITHER VOLTAGE
INTERCHANGE RED(T8)
WITH BLACK(T5) LEAD

NO.	REVISION	BY & DATE	CHK	TOLERANCES UNLESS SPECIFIED		FINISH	DRAWN PGK 07-16-1996			
				DEC.	INCHES					
5	UPDATED TEMPLETE	MVG 12/11/2017	PVR	.X	±.1		CHK MRB 07-18-1996			
4	REV'D CONNECTION TO MATCH ROTATION ISAAC 07-2021	JJB 09/05/2007	ML	.XX	±.02	TITLE CONNECTION DIAGRAM	APPD GK 07-18-1996			
3	ADDED T NO.'S MU16064	MH 08-09-1997		.XXX	±.005		SCALE 5=8			
2	REDRAWN ON CADD, NO CHANGES	PGK 07-18-1996		.XXXX	±.0005	MAT'L.	REF			
				ANG	±7'30"		FMF			
			RFP			CAD FILE 102005_84	PREV			
THIS DRAWING IN DESIGN AND DETAIL IS OUR PROPERTY AND MUST NOT BE USED EXCEPT IN CONNECTION WITH OUR WORK ALL RIGHTS OF DESIGN AND INVENTION ARE RESERVED THIS IS AN ELECTRONICALLY GENERATED DOCUMENT - DO NOT SCALE THIS PRINT							SIZE A	DRAWING NO. 102005-84	PAGE OF 5	REV. 5

