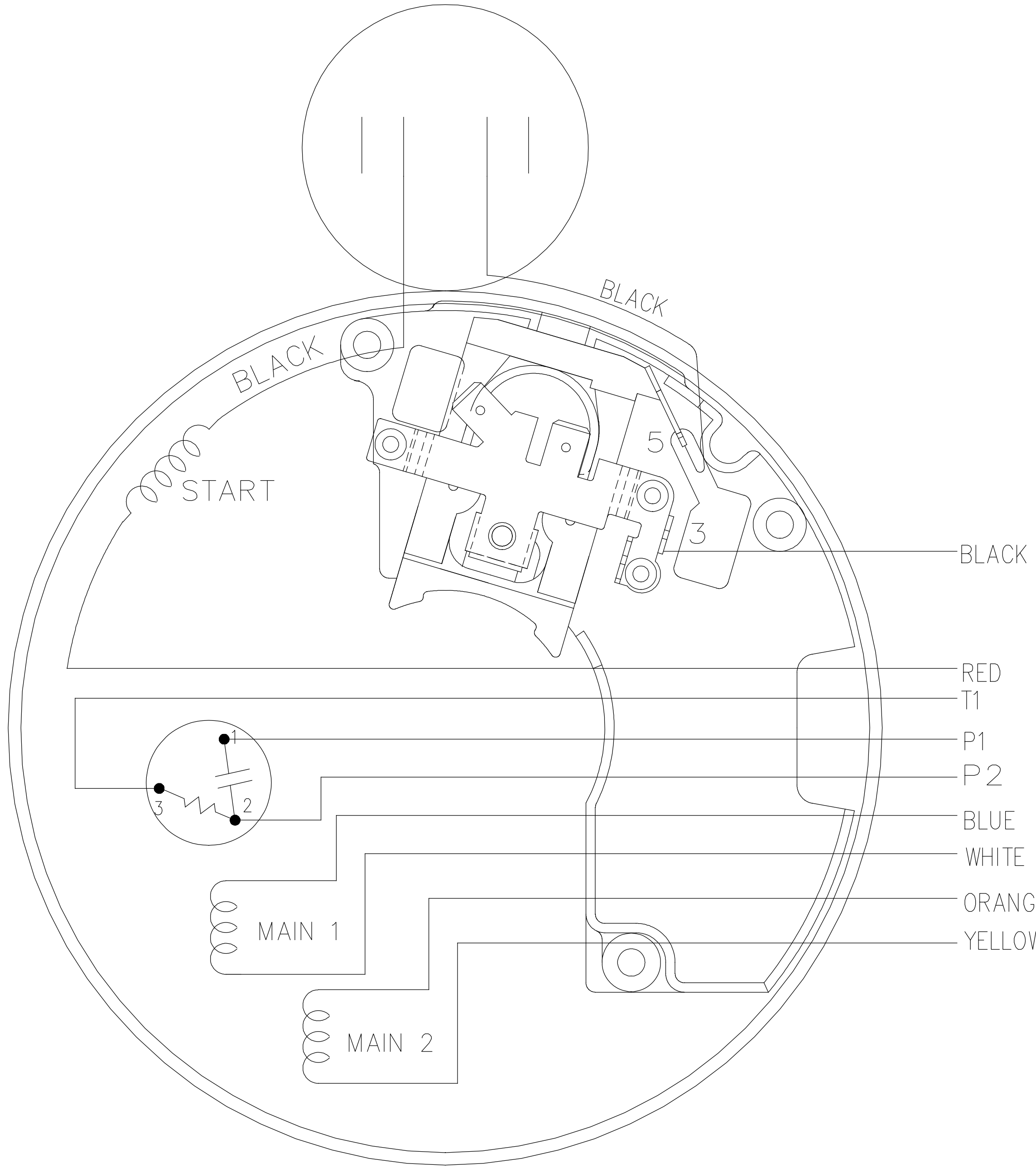
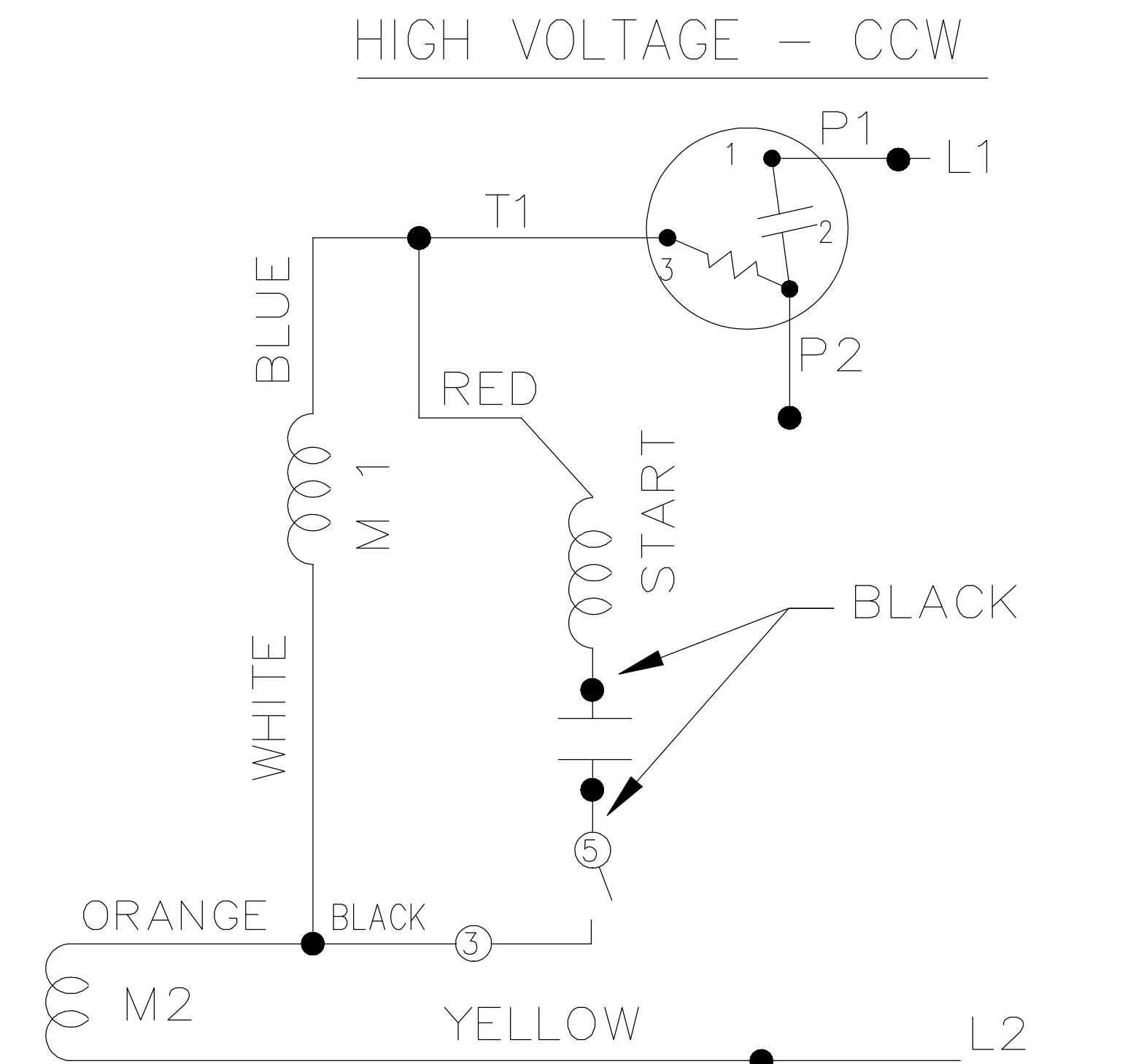
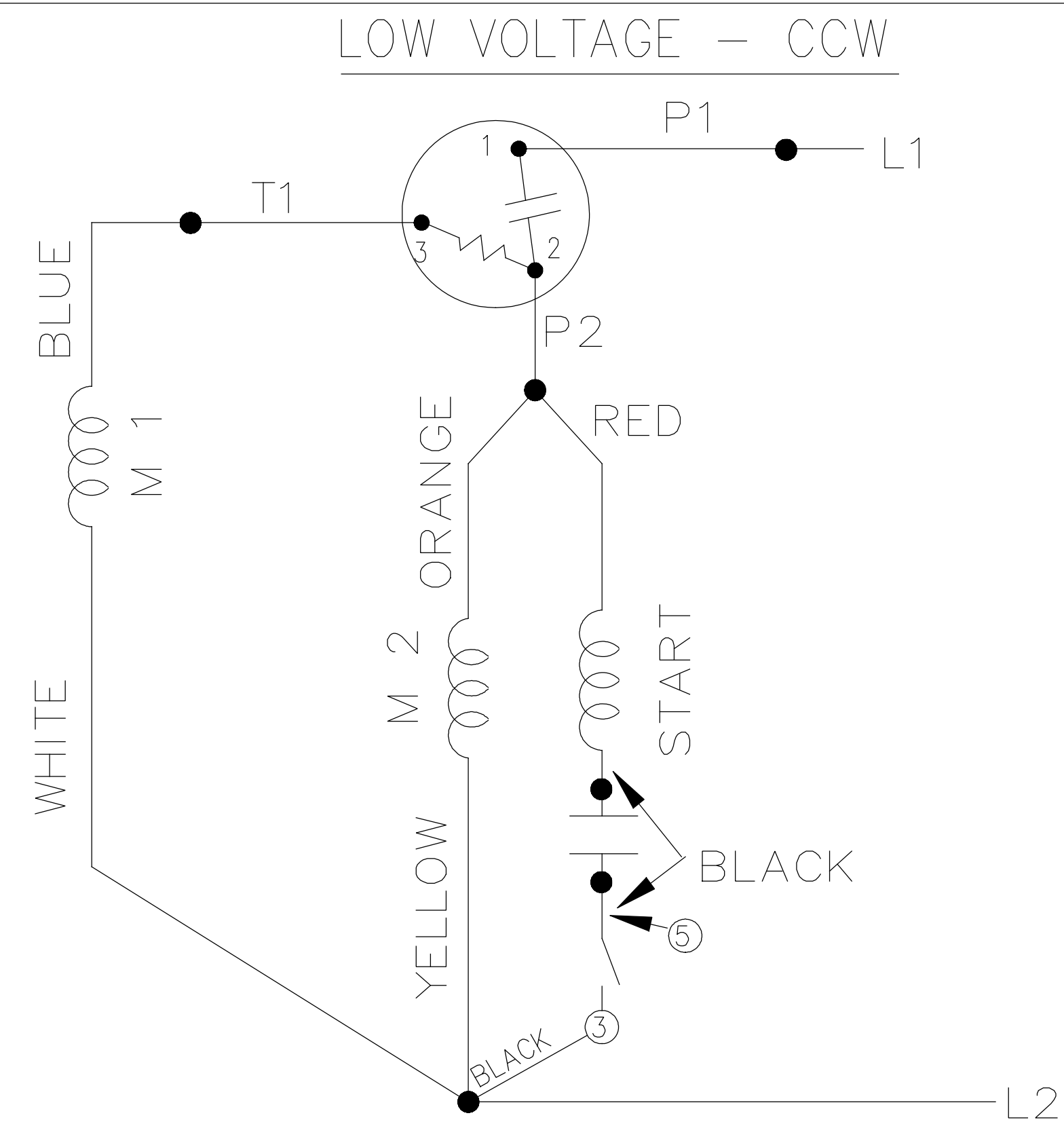
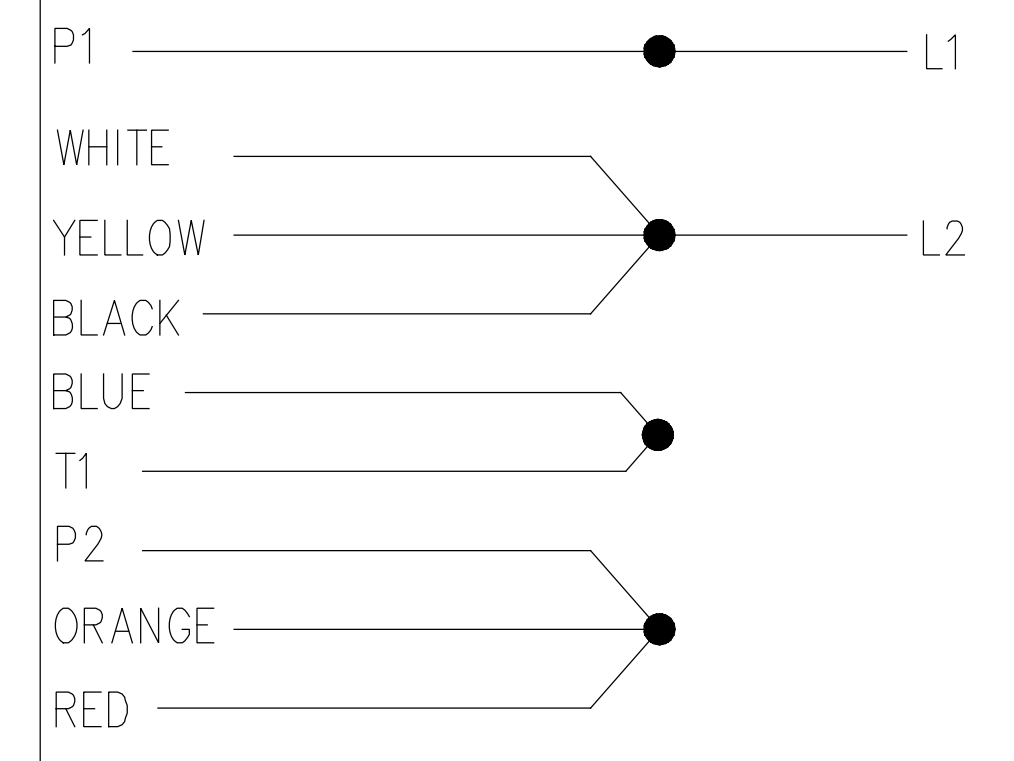


102005-52

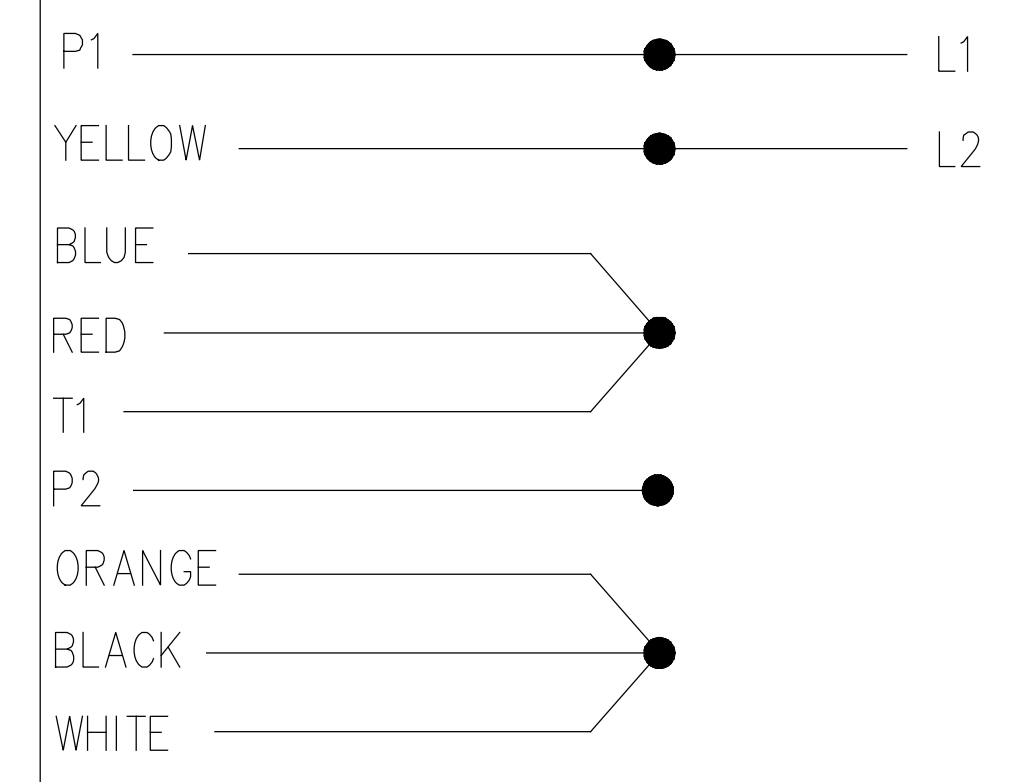


DUAL VOLTAGE
CAPACITOR START
OVERLOAD
SELECT ROTATION

LOW VOLT. CCW ROT.



HIGH VOLT. CCW ROT.



FOR CW ROTATION
EITHER VOLTAGE
INTERCHANGE RED
WITH BLACK

		TOLERANCES UNLESS SPECIFIED		MARATHON ELECTRIC		DRAWN BRH 02-29-1996					
		DEC.	INCHES			CHK	ML 03-06-1996				
		.X	±.1	TITLE CONNECTION DIAGRAM		APPD	GK 03-06-1996				
		.XX	±.02			SCALE	5=8				
6	REISSUE	BRH	03-13-1996			.XXX	±.005	REF			
5	REDRAWN ON CADD	BRH	03-06-1996	.XXXX	±.0005	MAT'L.	FMF				
NO.	REVISION	BY & DATE	CHK	ANG	±7'30"	FINISH	PREV				
THIS DRAWING IN DESIGN AND DETAIL IS OUR PROPERTY AND MUST NOT BE USED EXCEPT IN CONNECTION WITH OUR WORK ALL RIGHTS OF DESIGN AND INVENTION ARE RESERVED THIS IS AN ELECTRONICALLY GENERATED DOCUMENT - DO NOT SCALE THIS PRINT				RFP	CAD FILE 102005-52		SIZE	DRAWING NO.	PAGE	OF	REV.
				DIST	WP		A	102005-52			6