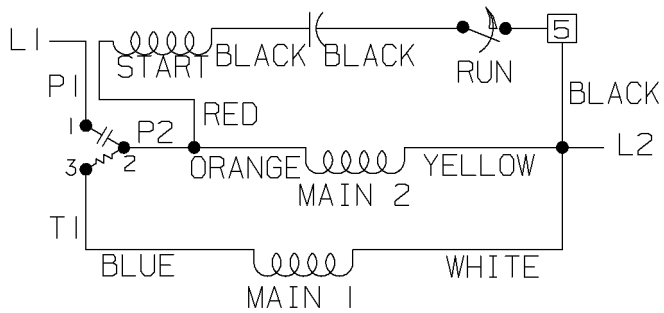


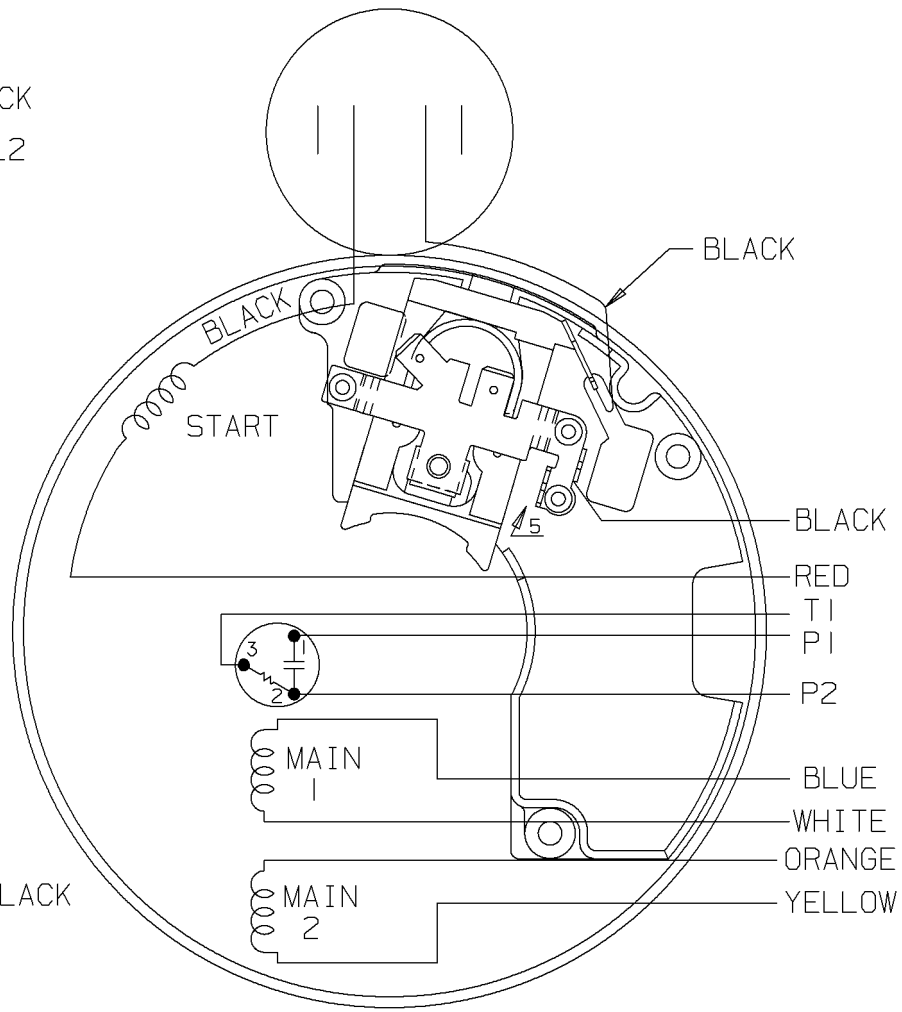
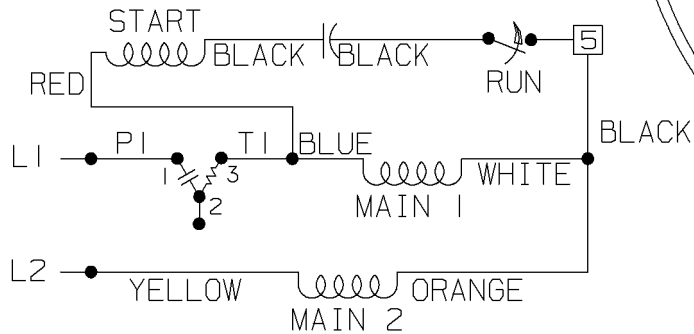
A- EE9023E

LOW VOLTAGE C.C.W.



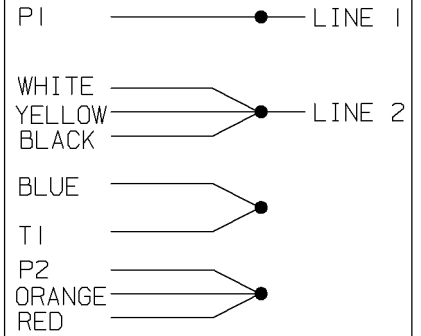
START

HIGH VOLTAGE C.C.W.

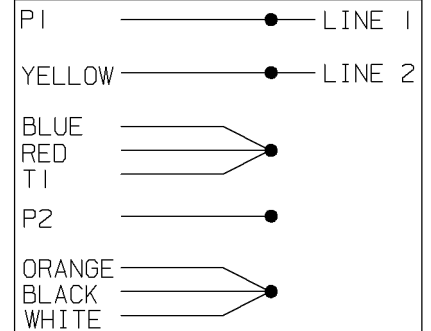


DUAL VOLTAGE
CAPACITOR START
OVERLOAD SELECT
ROTATION

LOW VOLT. CCW ROT.



HIGH VOLT. CCW ROT.



FOR CW ROT. EITHER
VOLTAGE INTERCHANGE
RED WITH BLACK LEAD.

				✓ MAX. SURFACE ROUGHNESS UNLESS NOTED OTHERWISE	UNLESS OTHERWISE SPECIFIED DIMENSIONS ARE IN INCHES TOL. ON XX±.02 XXX±.005 XXXX±.0005 ANGLES± 7'30"			
2	01-15-1992	REMOVED TERMINAL 3 FROM SCHEMATIC	RM	MATL SPEC		DRAWN BY	RM	10-30-1991
				FINISH		CHKD BY	ML	10-31-1991
1	10-30-1991	NEW DRAWING	RM	REFERENCE DRW.	WAUSAU, WISCONSIN 54401	APPD BY	SAT	11-01-1991
REV	DATE	CHANGE	NAME	PART NAME CONNECTION DIAGRAM			DRWG NO A- EE9023E	

SHOP BOOK

PURCHASED

DISTRIBUTION - WA - LB - WP - LM - BR

CADD FILE NO.

EE9023E