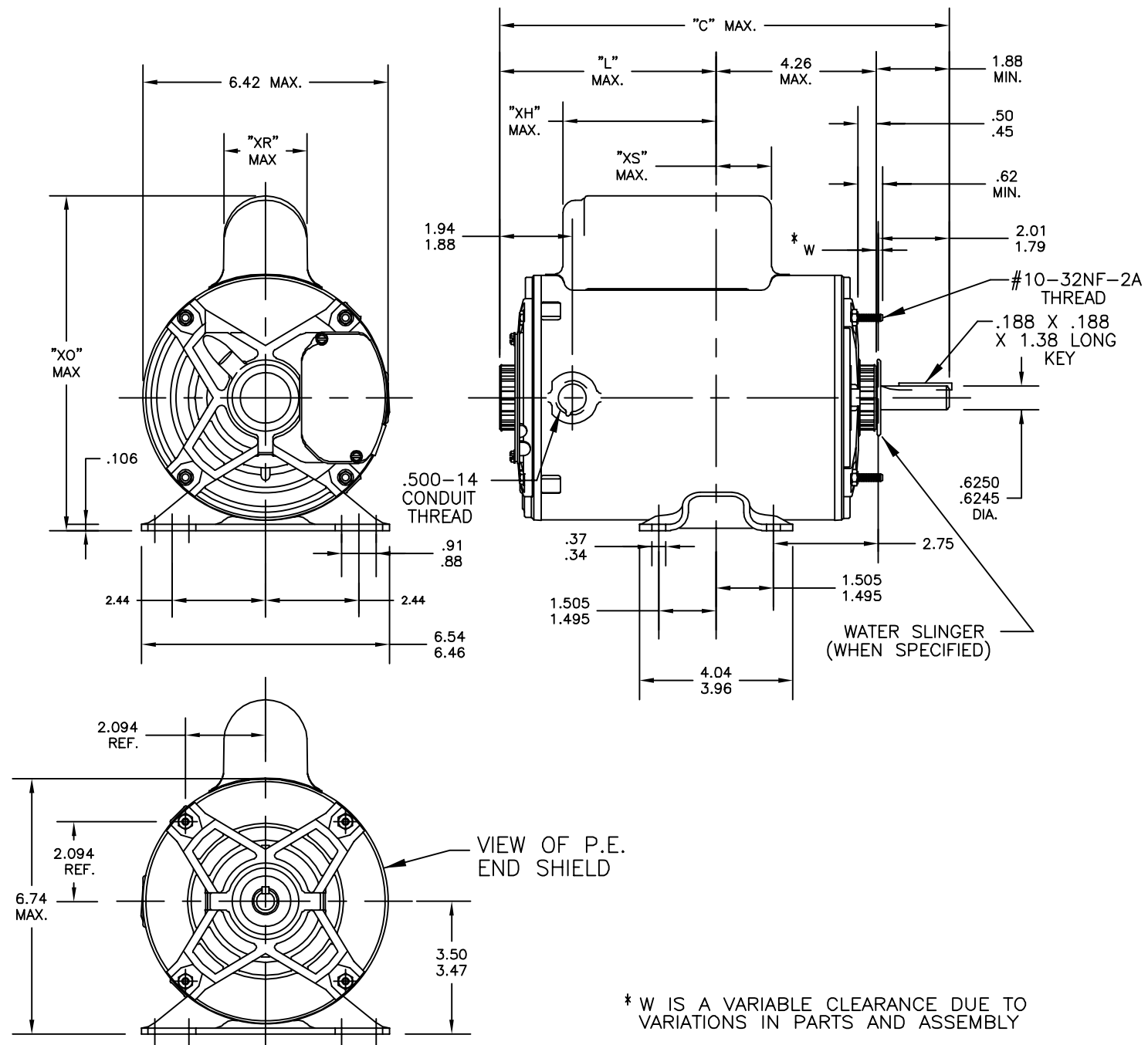


52A110642



* W IS A VARIABLE CLEARANCE DUE TO VARIATIONS IN PARTS AND ASSEMBLY

ALL DIMENSIONS ARE IN INCHES

I	KCP	49	56	11.91	5.75	4.15	8.18	2.15	1.60		7.68
P	TYPE	RBC SIZE	NEMA FR.	"C"	"L"	"XH"	"XO"	"XR"	"XS"		MIN. SHELL

				TOLERANCES UNLESS SPECIFIED		REGAL-BELOIT CORPORATION		DRAWN M.D.PAPE04/06/01	
				DEC.	INCHES			CHK	
				.X	±0.1			APPD DS 09/4/2014	
				.XX	±0.02	TITLE		SCALE 1=1	
B	REPLACED GE WITH RBC PER ECO-0059212	JAH 09/4/2014	DS	.XXX	±0.005	OUTLINE		REF	
1	CHG TO RBC FORMAT PER ISO5-1777	SUD 04/24/06	SUD	.XXXX	±0.0005	GENERAL PURPOSE MOTOR TENV - BALL		FMF	
NO.	REVISION	BY & DATE	CHK	ANG	±1.0	FINISH		PREV	

THIS DRAWING IN DESIGN AND DETAIL IS OUR PROPERTY AND MUST NOT BE USED EXCEPT IN CONNECTION WITH OUR WORK ALL RIGHTS OF DESIGN AND INVENTION ARE RESERVED THIS IS AN ELECTRONICALLY GENERATED DOCUMENT - DO NOT SCALE THIS PRINT

RFP	CAD FILE	52A110642	SIZE	DRAWING NO.	REV.
DIST			A	52A110642	B