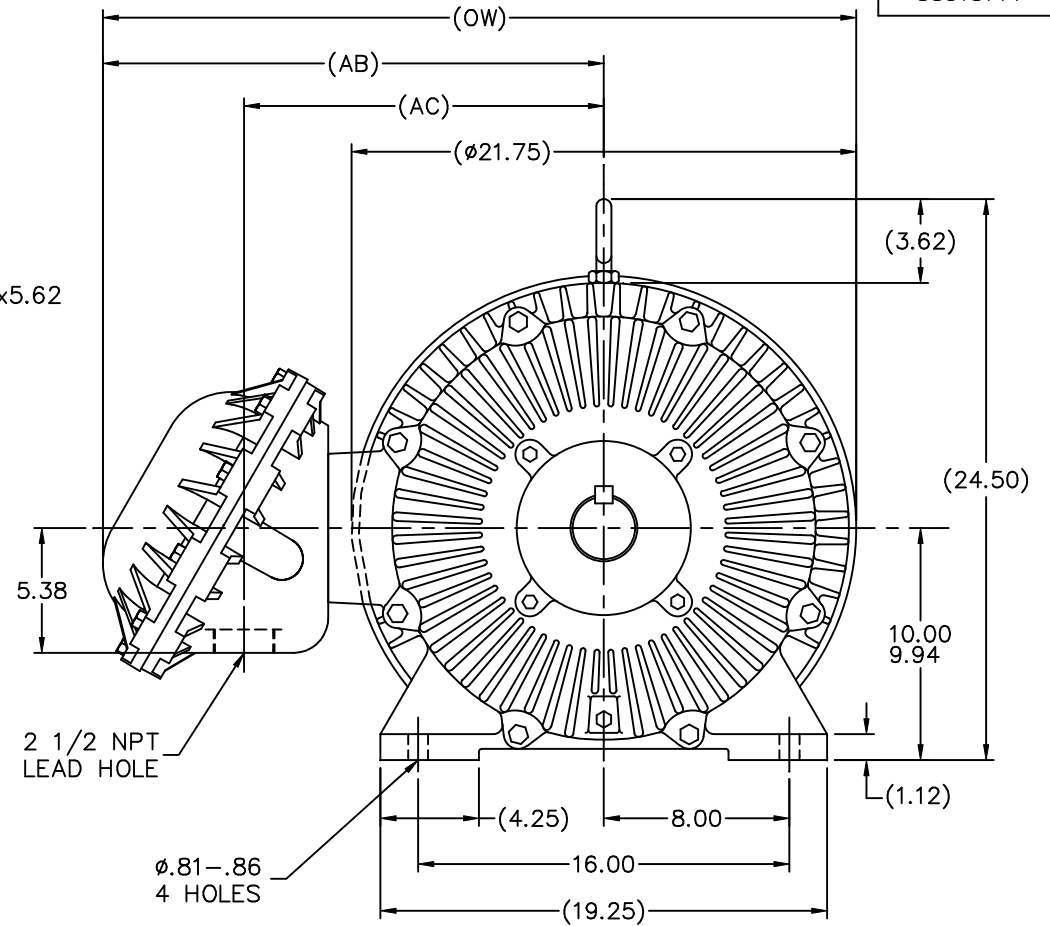
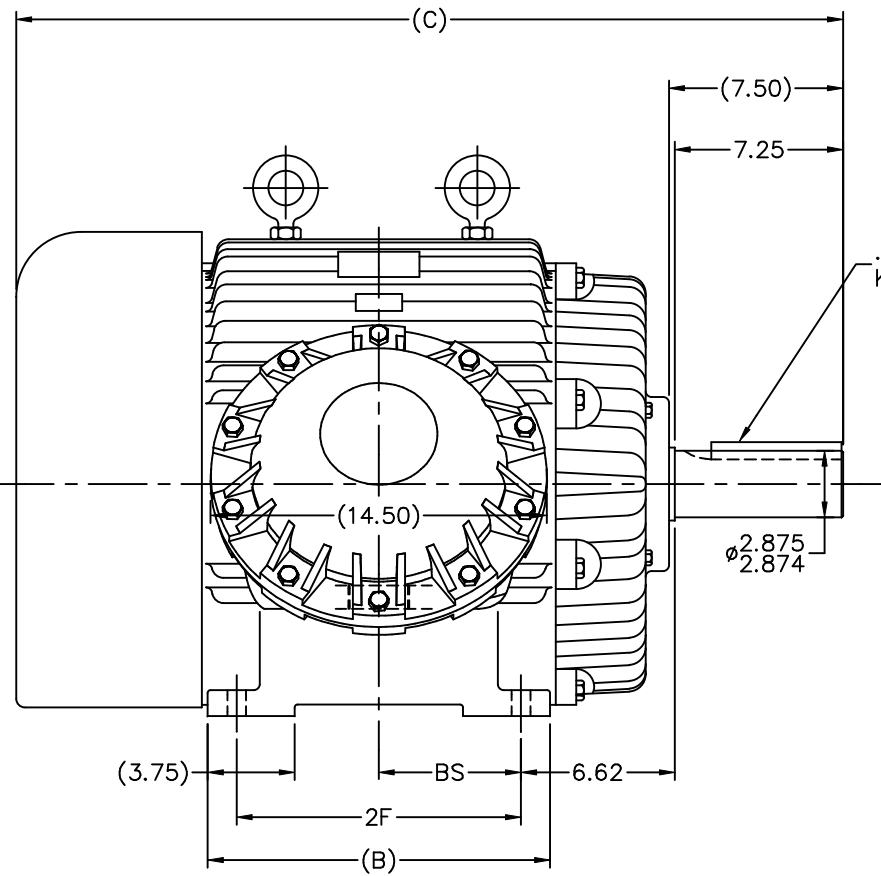


SS518777



.75x.75x5.62  
KEY

ø2.875  
2.874

5.38

2 1/2 NPT  
LEAD HOLE

ø.81-.86  
4 HOLES

NOTES:

1. BOX CAN BE ROTATED IN 90° STEPS
2. BOX CAN BE MOUNTED ON OPPOSITE SIDE BY REMOVING BRACKETS AND TURNING FRAME 180°
3. NAMEPLATES TO BE READ FROM CONDUIT BOX SIDE OF MOTOR

DASH	FRAME	B	C	2F	AB	AC	BS	OW
1525	404T	14.75	35.62	12.25	21.50	15.50	6.12	32.38
1675	405T	16.25	37.12	13.75	22.50	16.50	6.88	33.38

		TOLERANCES UNLESS SPECIFIED		MARATHON ELECTRIC		DRAWN DRS 12-17-2001	
		DEC.	INCHES			CHK	JHL 013-19-2002
		.X	±.1			APPD	JES 03-20-2002
		.XX	±.03	TITLE OUTLINE		SCALE 3=16	
2 REDRAWN IN AUTOCAD		TAT 06-29-2004	ML .XXX ±.005	400T FR. - EXP.PR. - STD.		REF	
1 NEW DRAWING		CN 34593	DRS 03-20-2002	.XXX ±.0005		MATL	
NO. REVISION		BY & DATE	CHK ANG ±7'30"	FINISH		PREV	
THIS DRAWING IN DESIGN AND DETAIL IS OUR PROPERTY AND MUST NOT BE USED EXCEPT IN CONNECTION WITH OUR WORK ALL RIGHTS OF DESIGN AND INVENTION ARE RESERVED THIS IS AN ELECTRONICALLY GENERATED DOCUMENT - DO NOT SCALE THIS PRINT				RFP	CAD FILE ss518777	SIZE	DRAWING NO. PAGE OF REV.
				DIST WA		B	SS518777 2

ERROR: syntaxerror  
OFFENDING COMMAND: --nostringval--

STACK:

-dictionary-  
-dictionary-  
/Pscript\_WinNT\_Compat  
-dictionary-