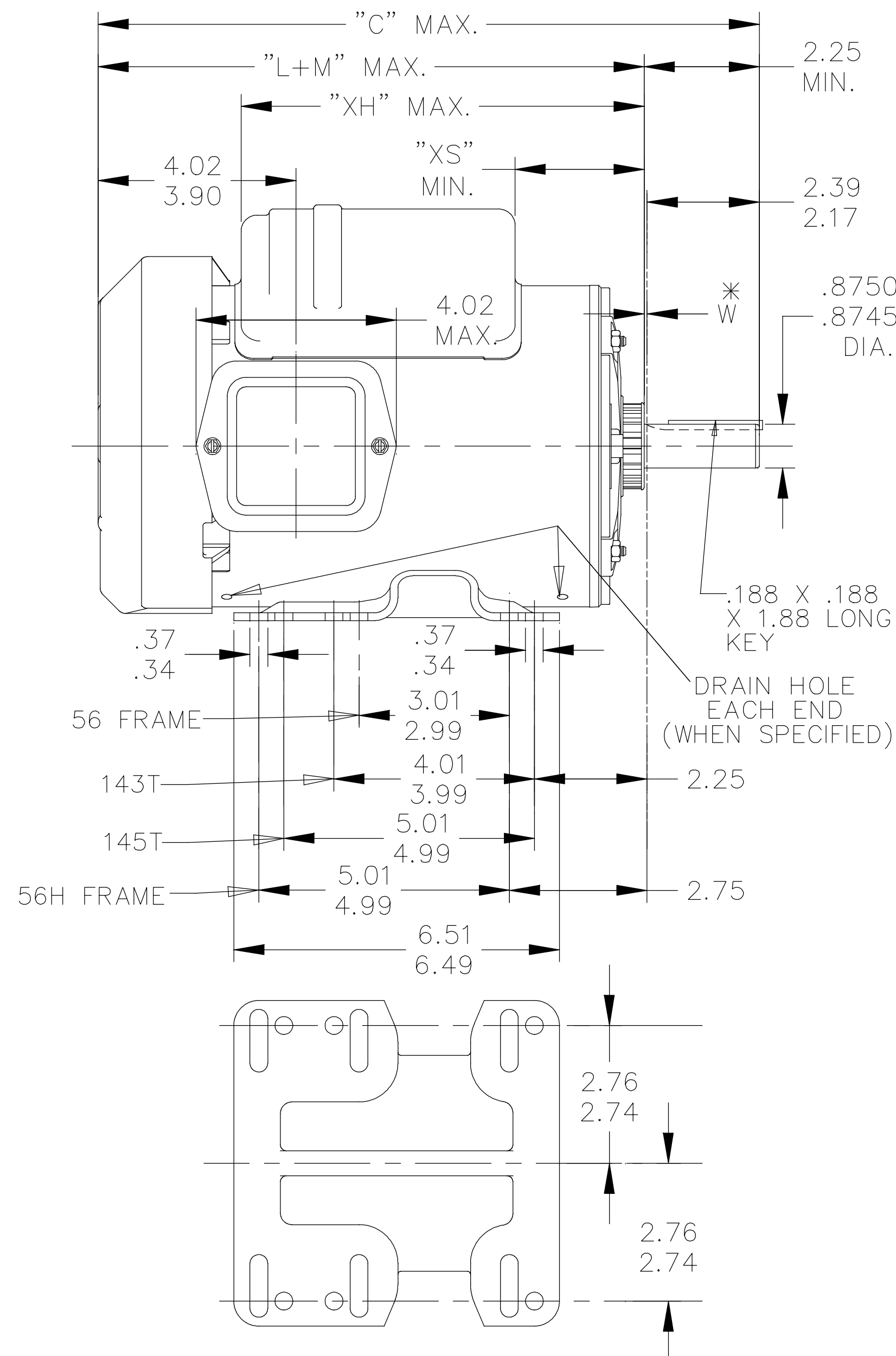
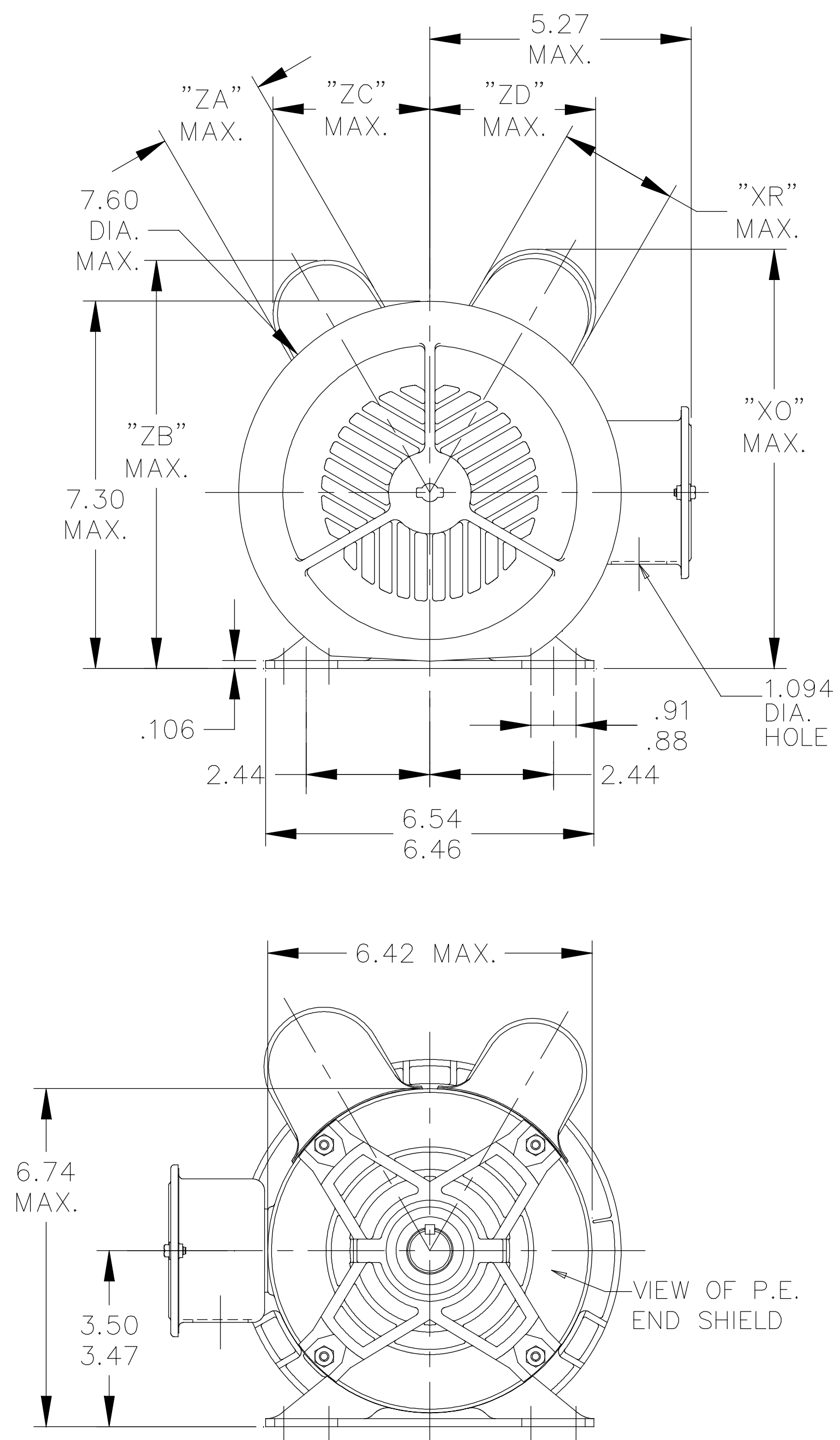


52A107655



ALL DIMENSIONS ARE IN INCHES

* W IS A VARIABLE CLEARANCE DUE TO VARIATIONS IN PARTS AND ASSEMBLY

3	KCR	49	143T 145T	14.63	12.38	7.77	8.19	2.72	2.02	2.40	8.40	3.20	3.38	8.99
2	KCR	48	143T 145T	14.07	11.82	7.72	8.77	2.72	2.03	2.10	8.15	3.14	3.63	8.43
1	KCR	49	143T 145T	13.33	11.07	8.22	8.40	2.40	2.47	2.15	8.18	3.20	3.38	7.68
P	TYPE	GE	NEMA	"C"	"L+M"	"XH"	"XO"	"XR"	"XS"	"ZA"	"ZB"	"ZC"	"ZD"	MIN. SHELL

				TOLERANCES UNLESS SPECIFIED				DRAWNM.D.PAPE 02/28/91								
				DEC.				CHK								
				.X ±.1				APPD M.A.M 08/17/94								
				.XX ±.03				SCALE 1=1								
10	ADDED DRAIN HOLES PER ECO-0136529	SN 12/20/17	SN	.XXX ±.005	TITLE OUTLINE				REF							
9	CHG TO RBC FORMAT PER IS05-1777	AB 03/01/06	AB	.XXXX ±.0005	GENERAL PURPOSE MTR-TEFC-BALL BEARING-WELDED BASE				FMF 40 FR DESIGN							
NO.	REVISION	BY & DATE	CHK	ANG ±7'30"	FINISH				PREV							
THIS DRAWING IN DESIGN AND DETAIL IS OUR PROPERTY AND MUST NOT BE USED EXCEPT IN CONNECTION WITH OUR WORK ALL RIGHTS OF DESIGN AND INVENTION ARE RESERVED THIS IS AN ELECTRONICALLY GENERATED DOCUMENT - DO NOT SCALE THIS PRINT				RFP				CAD FILE 52A107655				SIZE	DRAWING NO.	PAGE	OF	REV.
				DIST								A	52A107655			10

