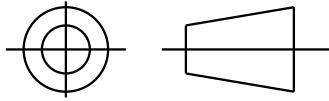


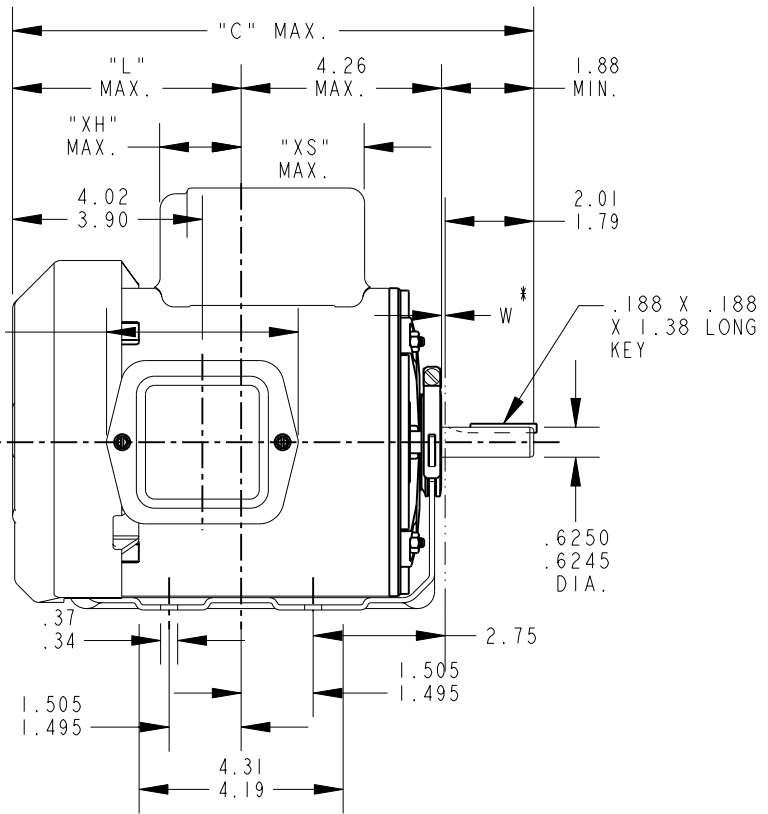
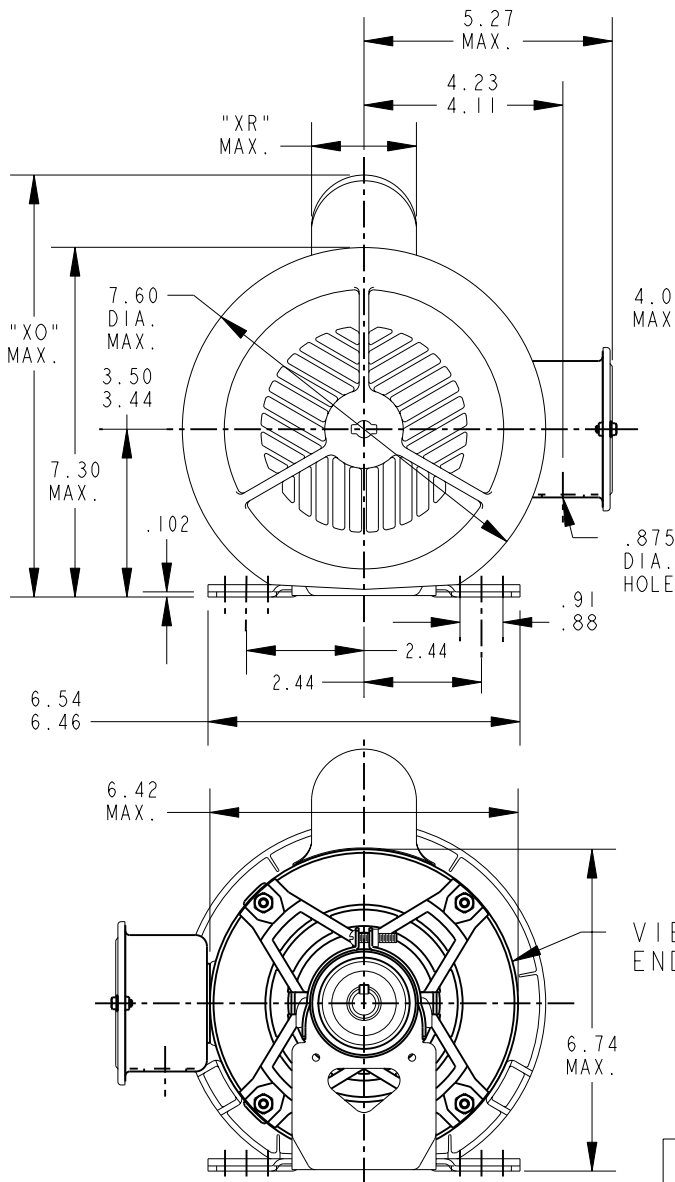
SHEET 11
REV 11
52A107624
SIZE DRAWING NO. A

THIRD ANGLE PROJECTION



REVISIONS

REV.	DESCRIPTION	DATE	APPROVED
10	UPDATED DIMENSIONS FOR PART #3.	05/16/94	M.D.PAPE
11	CHG TO RBC FORMAT PER ISO5-1777	02/28/06	SUDHA




VIEW OF P.E. END SHIELD

* W IS A VARIABLE CLEARANCE DUE TO VARIATIONS IN PARTS AND ASSEMBLY

ALL DIMENSIONS ARE IN INCHES

4	KC	49	56	12.54	6.28	3.52	8.60	2.40	2.22	7.15
3	KC	49	56	13.07	6.81	3.58	8.95	2.40	2.23	7.68
2	KC	46	56	11.83	5.68	2.44	8.84	2.22	2.10	6.55
1	KC	42	56	11.00	4.85	2.08	8.84	2.22	2.46	5.72
P	TYPE	GE SIZE	NEMA FR.	"C"	"L"	"XH"	"XO"	"XR"	"XS"	MIN. SHELL

SIGNATURES		DATE
MODEL	M.D.PAPE	09/26/90
DETAIL	.	.
CHECKED	.	.
ENGRG	.	.
MFG	.	.
FOR ADDITIONAL INFO REFER TO:	QUALITY	.
APPLIED PRACTICES	ISSUED	M.D.PAPE 05/06/94
DIMENSIONS ARE IN INCHES	SOLID MODEL: 52A107624	
MATERIAL		



REGAL-BELOIT CORPORATION

TITLE

OUTLINE

GENERAL PURPOSE MOTOR TEFC - BALL BEARING - RESILIENT BASE FPM - 40 FRAME REDESIGN (5KC42GN0005X)

SIZE DRAWING

A

SCALE: 0.250 REF. No: . SHEET 1 of 1

52A107624
 REV 11