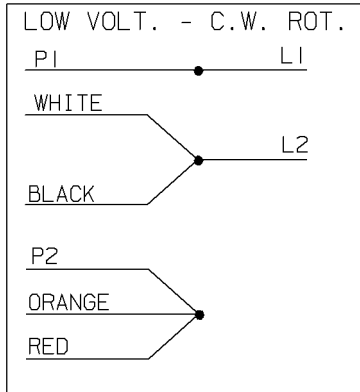
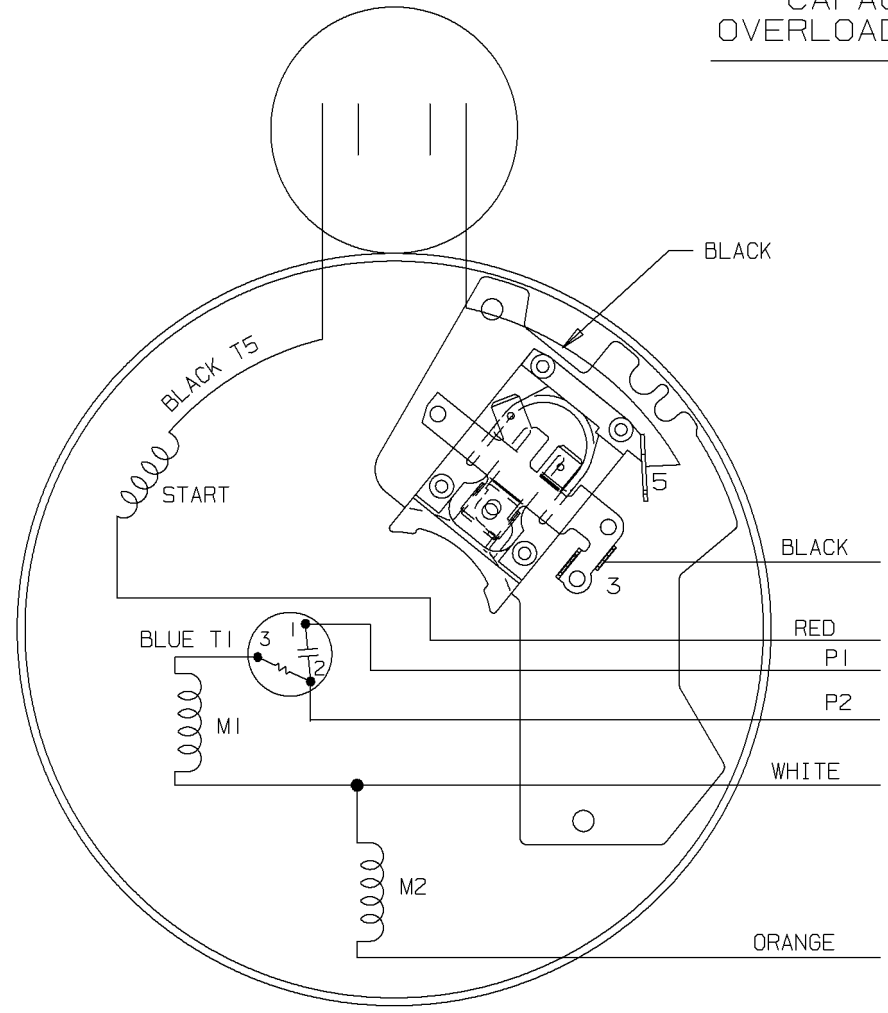
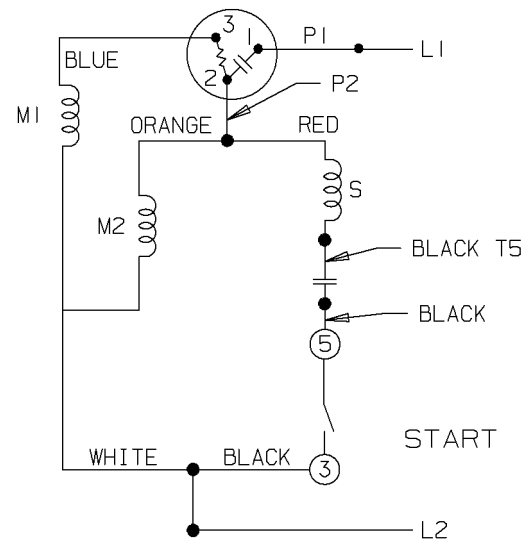


LOW VOLTAGE - C.W.

SINGLE VOLTAGE
CAPACITOR START
OVERLOAD SELECT ROT.



FOR C.C.W. ROTATION
EITHER VOLTAGE
INTERCHANGE RED
WITH BLACK LEAD

				✓ MAX. SURFACE ROUGHNESS UNLESS NOTED OTHERWISE		UNLESS OTHERWISE SPECIFIED DIMENSIONS ARE IN INCHES TOL. ON XX± XXX±.005 XXXX±.0005 ANGLES±				
2	06-14-2001	ROTATION CW WAS CCW	CCW WAS CW	HLB	MATL SPEC			DRAWN BY	MRB	04-09-1999
			CN 31595		FINISH			CHKD BY	ML	04-12-1999
1	04-19-1999	NEW DRAWING		MRB	REFERENCE DRW.	WAUSAU, WISCONSIN 54401		APPD BY	ET	04-15-1999
REV	DATE	CHANGE			PART NAME CONNECTION DIAGRAM				DRWG NO A-102005-110	

SHOP BOOK PURCHASED DISTRIBUTION - WA - LB - WP - LM - BR CADD FILE NO. 102005-110