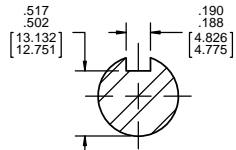
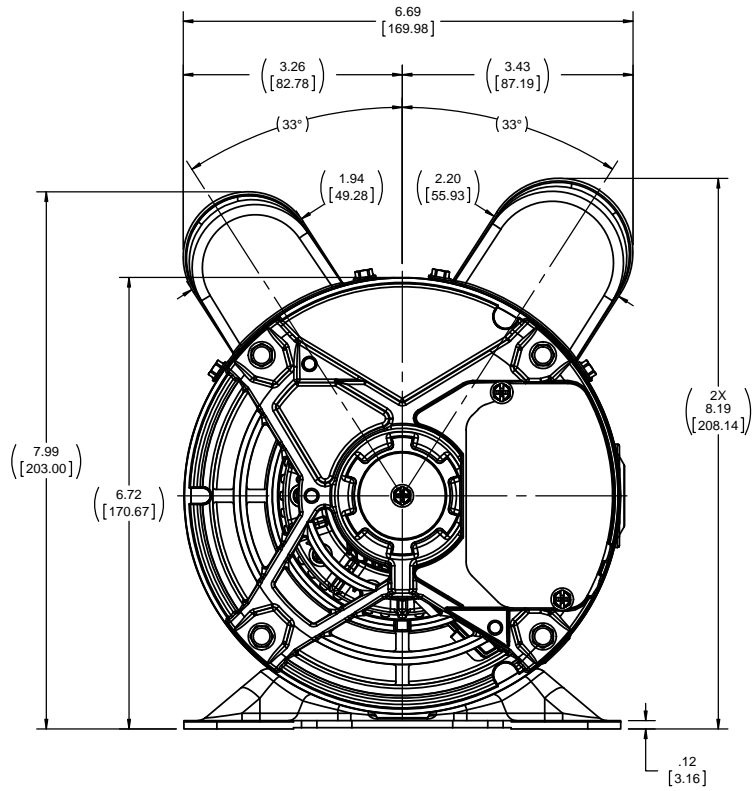
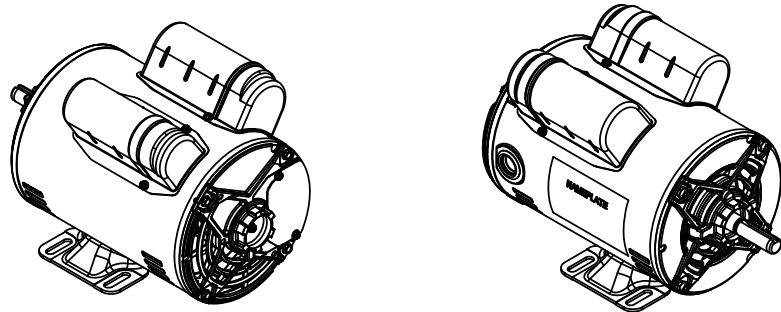


Uncontrolled Copy

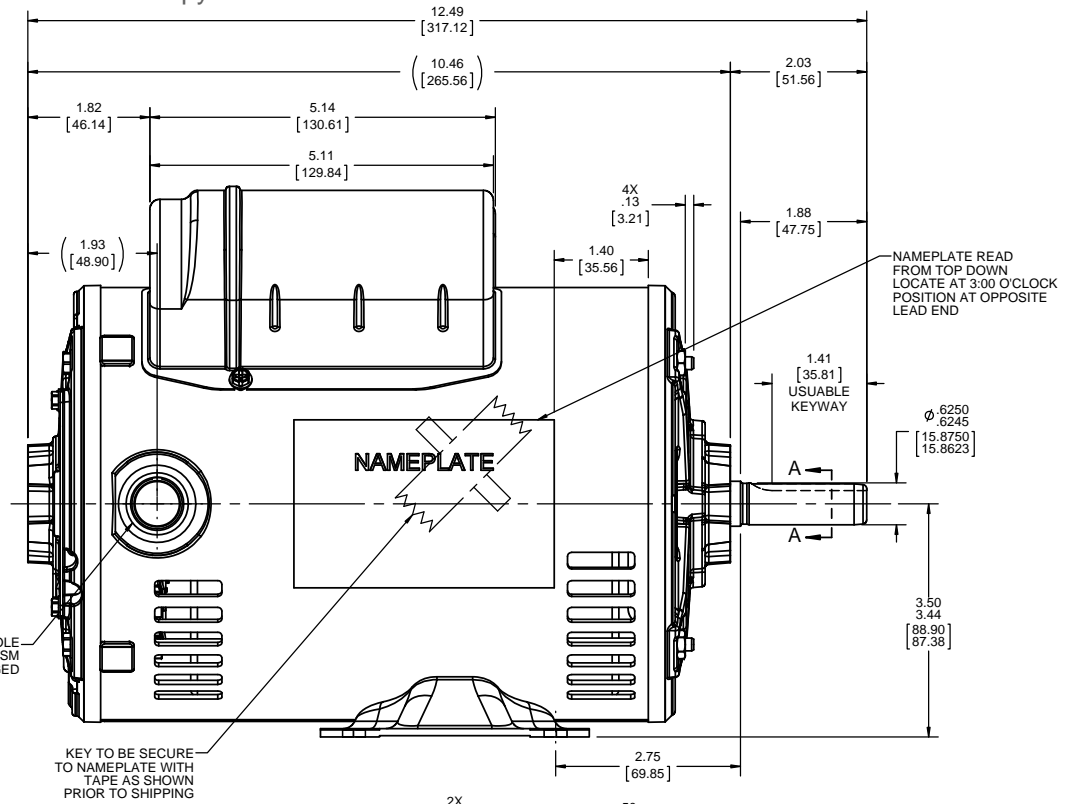


SECTION A-A

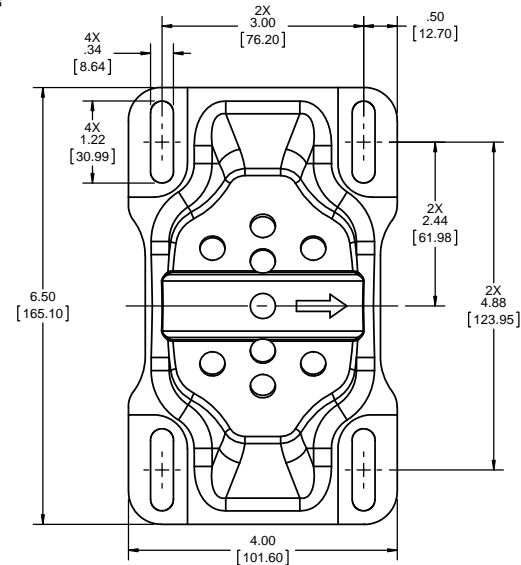


THREADED HOLE
1/2-14 NPSM
PLUGGED

KEY TO BE SECURE
TO NAMEPLATE WITH
TAPE AS SHOWN
PRIOR TO SHIPPING



NAMEPLATE READ
FROM TOP DOWN
LOCATE AT 3:00 O'CLOCK
POSITION AT OPPOSITE
LEAD END



DRAWING REVISION A	REVISION BY D.VALENCIANO	DATE 11-03-2016	TOLERANCES UNLESS OTHERWISE SPECIFIED: DEC. INCH mm ANGLE	DRAWN BY D.VALENCIANO	Regal Beloit America, Inc.
ECO-0112062	APPROVED BY	DATE	X ±0.1 [±2.5] 30.5° XX ±0.03 [±0.76] XXX ±0.005 [±0.127] .XXXX ±0.0005 [±0.0127]	DATE 11-03-2016	
ECO DESCRIPTION NEW MODEL RELEASE			REMOVE BURRS & BREAK SHARP EDGES: .003/.015 [0.076/.381] X 45° CORNER FILLETS: R.02 [51]	APPROVED BY J.ORTEGA	DESCRIPTION OUTLINE
<small>COPYRIGHT REGAL BELOIT AMERICA, INC. ALL RIGHTS RESERVED. PROPRIETARY AND CONFIDENTIAL INFORMATION - THIS DOCUMENT IS THE PROPERTY OF REGAL BELOIT AMERICA, INC. FORMERLY AND CONTAINS OWNERS PROPRIETARY INFORMATION. ANY PERSON, CORPORATION OR OTHER FIRM RECEIVING IT IS DEEMED, BY RECEIVING IT, TO AGREE THAT IT, AND/OR ANY PART OF IT, SHALL NOT BE DISCLOSED TO ANY PERSON, CORPORATION OR OTHER ENTITY, DUPLICATED, AND/OR USED, EXCEPT AS EXPRESSLY APPROVED IN WRITING IN ADVANCE BY OWNER. THIS DOCUMENT SHALL BE RETURNED TO OWNER UPON REQUEST. IT MAY BE SUBJECT TO CERTAIN RESTRICTIONS UNDER APPLICABLE EXPORT CONTROL LAWS AND REGULATIONS.</small>			<small>MACHINED SURFACES: 125 / 3.2 INCH / mm V</small> mm SHOWN IN [BRACKETS]	DATE 11-03-2016	MATERIAL
			THIRD ANGLE PROJECTION	REFERENCE	PROCESS FINISH
			SIZE C	DRAWING NUMBER OL56100181-001	SHEET 1 OF 1