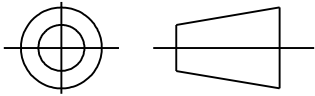


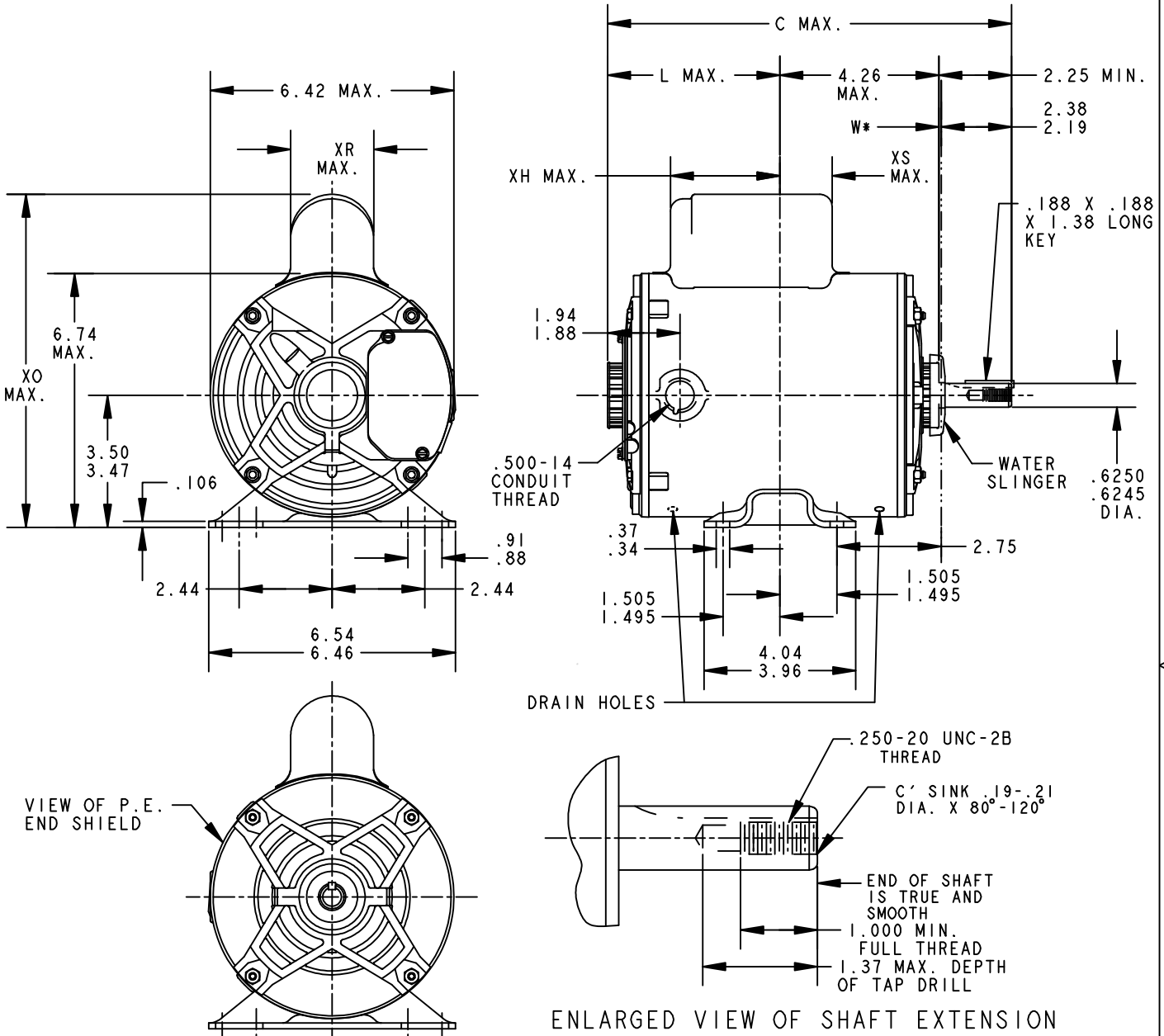
THIRD ANGLE PROJECTION



REVISIONS

REV.	DESCRIPTION	DATE	APPROVED
3	TAPPING ADDED PER IS09-1251	04/03/06	AMITRUP

SHEET 1
REV 3
SIZE DRAWING NO. 52A109610
A



I	KC	49	56Z	11.74	5.18	3.58	7.85	1.60	2.10	7.15
P	TYPE	GE SIZE	NEMA FR	C	L	XH	XO	XR	XS	MIN. SHELL

W* IS A VARIABLE CLEARANCE DUE TO VARIATIONS IN PARTS AND ASSEMBLY.

SIGNATURES		DATE		REGAL-BELOIT CORPORATION
MODEL	M.D.PAPE	04/14/94		
DETAIL	.	.	TITLE	
CHECKED	.	.	OUTLINE FMF - 40 FRAME REDESIGN - GENERAL PURPOSE MOTOR - TENV - BALL BEARING - WELDED BASE	
ENGRG	.	.		
MFG	.	.	SIZE DRAWING	
FOR ADDITIONAL INFO REFER TO:	QUALITY	.	52A109610	
APPLIED PRACTICES	ISSUED	M.D.PAPE 04/14/94		
DIMENSIONS ARE IN INCHES	SOLID MODEL: 52A109610		SCALE: 0.250	
MATERIAL			REF. No: .	
			SHEET 1 of 1	