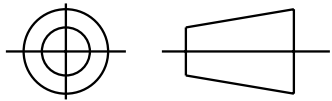


SHEET 1  
 REV 5  
 52A106829  
 SIZE DRAWING NO. A

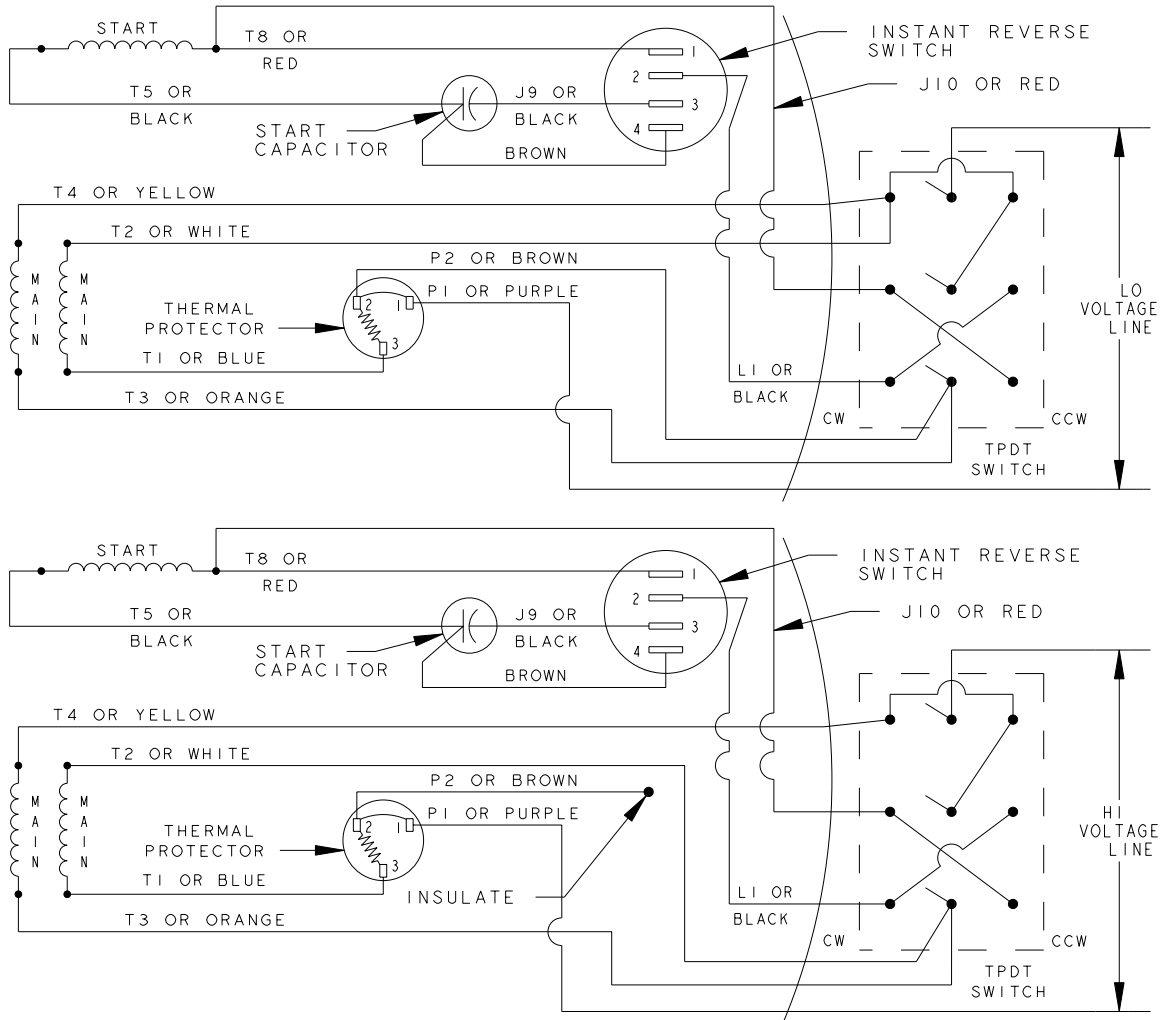
THIRD ANGLE PROJECTION



REVISIONS

REV.	DESCRIPTION	DATE	APPROVED
5	UPDATED TO RBC FORMAT	01/10/06	MAM

INSTANTLY REVERSIBLE STERNS IR SWITCH  
 DUAL VOLTAGE - TYPE KC - THERMAL PROTECTOR




- NOTE#1 - WHEN MORE THAN ONE CAPACITOR IS USED, CONNECT IN PARALLEL.
- NOTE#2 - DO NOT APPLY HI-POT VOLTAGE FROM LEAD TO LEAD. TIE ALL LEADS TOGETHER AND HI-POT TO GROUND. IF HI-POT LEAD TO LEAD IS PERFORMED, DISCONNECT SWITCH PRIOR TO HI-POT OPERATION. FAILURE TO DO THIS COULD RESULT IN ELECTRONIC COMPONENT IN S.S. SWITCH.

REF. DIAG. - NONE

CONNECTION LABEL - 52X332988

SIGNATURES		DATE
MODEL	M.D.P.	01/05/90
DETAIL	.	.
CHECKED	.	.
ENGRG	.	.
MFG	.	.
QUALITY	.	.
ISSUED	M.D.P.	01/05/90
SOLID MODEL: 52A106829		



**REGAL-BELOIT CORPORATION**

**TITLE**  
**CONNECTION DIAGRAM**

**FMF:** 5KC39QN9679Q

SIZE: A DRAWING: 52A106829 REV: 5

SCALE: 1.000 REF. No: SHEET 1 of 1

FOR ADDITIONAL INFO REFER TO:  
 APPLIED PRACTICES  
 DIMENSIONS ARE IN INCHES ✓