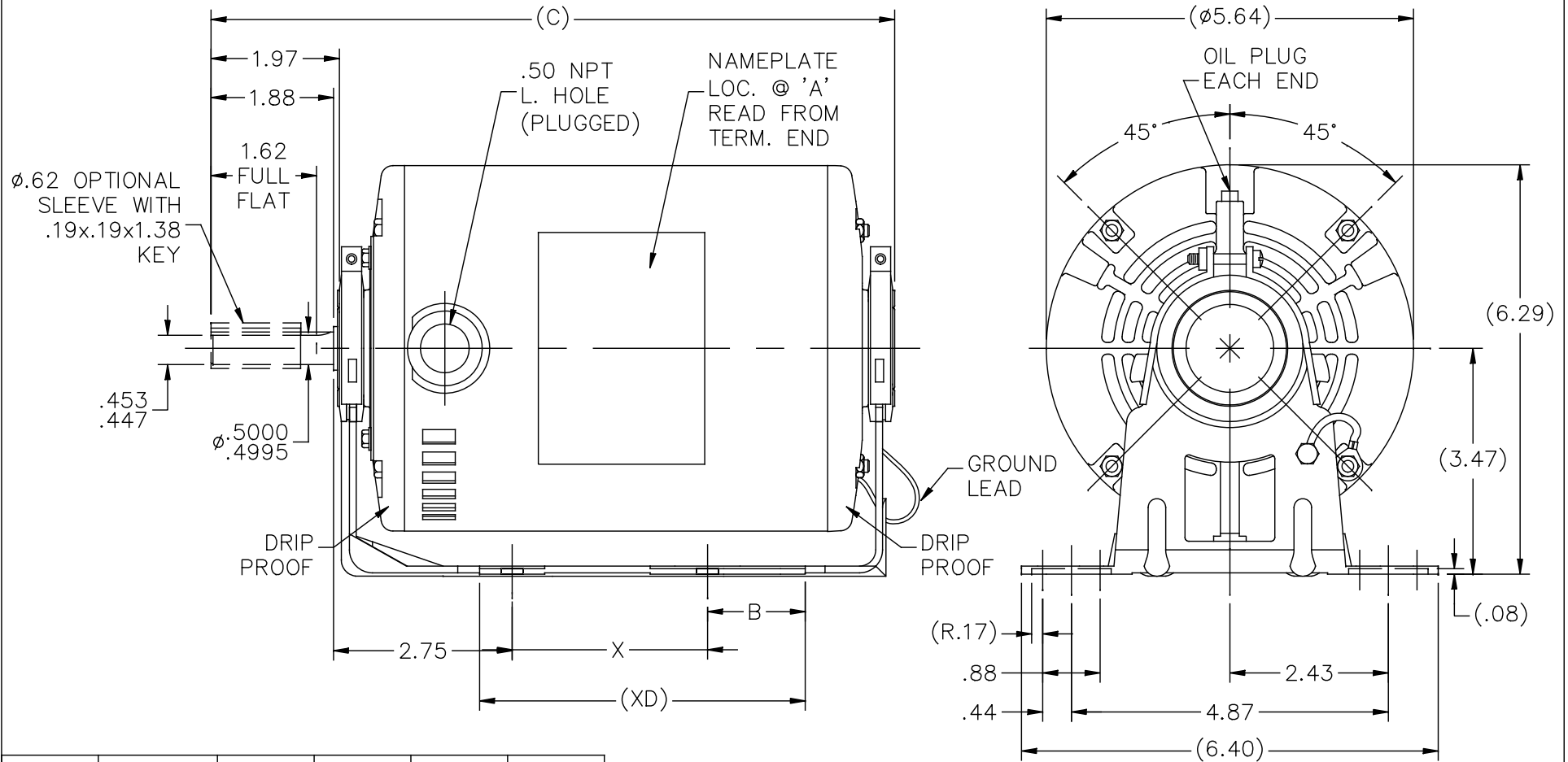


SS403815



DASH	FRAME	C	XD	B	X
650	56	10.50	5.00	1.50	3.00

				TOLERANCES UNLESS SPECIFIED		MARATHON ELECTRIC	DRAWN SP 01-22-2009		
				DEC.	INCHES		CHK NB 01-22-2009	APPD SP 01-22-2009	SCALE 7=16
				.X	±.1	TITLE OUTLINE 56 FR.	REF SS73719	FMF 07-2426	PREV
				.XX	±.03				
				.XXX	±.005				
				.XXXX	±.0005				
01	UPDATED BASE LOCATION AS PER ECO-0089842	SL	12/03/15	SAI	±.0005	MAT'L.			
NO.	REVISION	BY & DATE	CHK	ANG	±7'30"	FINISH			
THIS DRAWING IN DESIGN AND DETAIL IS OUR PROPERTY AND MUST NOT BE USED EXCEPT IN CONNECTION WITH OUR WORK ALL RIGHTS OF DESIGN AND INVENTION ARE RESERVED THIS IS AN ELECTRONICALLY GENERATED DOCUMENT - DO NOT SCALE THIS PRINT				RFP	01-22-2009	CAD FILE	SS403815	SIZE	DRAWING NO. PAGE OF REV.
				DIST	WP	A	SS403815	C	