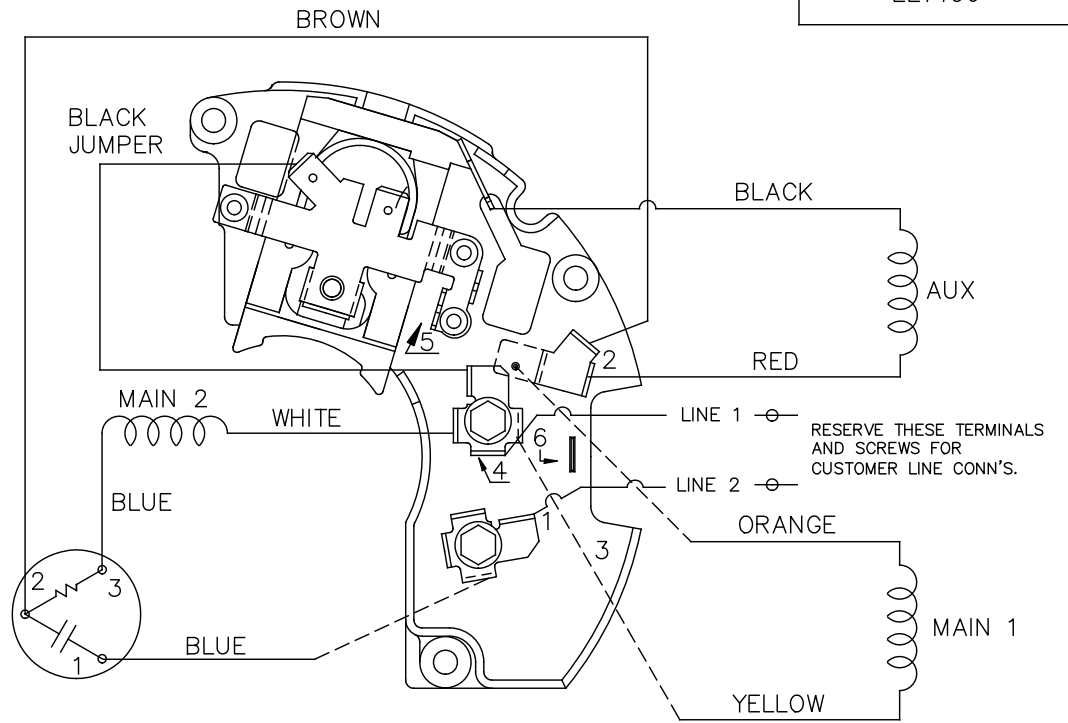


DUAL VOLTAGE – SPLIT PHASE
REVERSIBLE ON TERM BOARD
WITH OVERLOAD PROTECTION

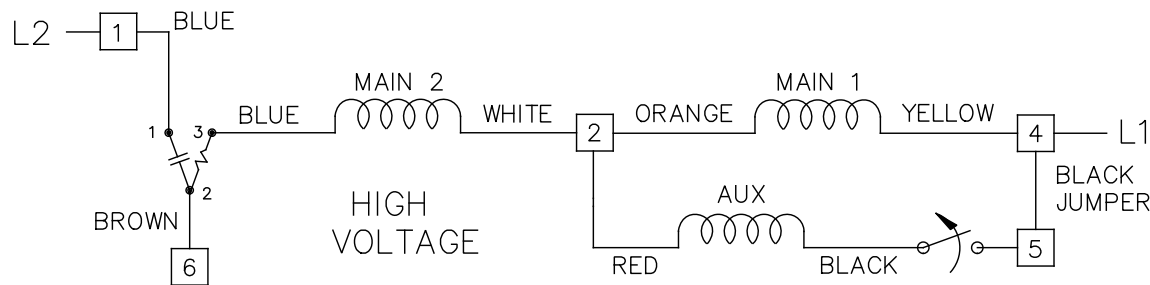



VIEWING TERM END

LOW VOLTAGE CCW ROTATION SHOWN.

FOR HIGH VOLTAGE
CONNECT BROWN TERM 2 TO TERM 6.
CONNECT WHITE TERM 4 TO TERM 2.

TO REVERSE ROTATION EITHER
VOLTAGE INTERCHANGE RED
LEAD WITH BLACK LEAD.



NO.	REVISION	BY & DATE	CHK	TOLERANCES UNLESS SPECIFIED		FINISH	DRAWN ML 01-28-1988			
				DEC.	INCHES			CHK GK 01-05-1988		
5	TEMPLATE CHANGED TO REGAL	MVG 03-06-2017	SM	DEC.	INCHES	 Regal Beloit America, Inc.	APPD DRN 03-15-1988			
4	REDRAWN IN AUTOCAD	TAT 08-02-2004	ML	.X	±.1		TITLE CONNECTION DIAGRAM	SCALE 1=1		
3	REVISED LINE 2 LOCATION CN 6427	RM 01-28-1991		.XX	±.02	48 FR. – DUAL VOLTAGE REVERSIBLE	REF			
2	ADDED CUSTOMER CONNECTION NOTE CN 6011	BW 08-03-1989		.XXX	±.005		MAT'L.	FMF		
1	NEW DRAWING	ML 08-19-1988		.XXXX	±.0005		PREV			
THIS DRAWING IN DESIGN AND DETAIL IS OUR PROPERTY AND MUST NOT BE USED EXCEPT IN CONNECTION WITH OUR WORK ALL RIGHTS OF DESIGN AND INVENTION ARE RESERVED THIS IS AN ELECTRONICALLY GENERATED DOCUMENT – DO NOT SCALE THIS PRINT				RFP	CAD FILE ee7196		SIZE A	DRAWING NO. EE7196	PAGE OF 5	REV. 5
				DIST WP						