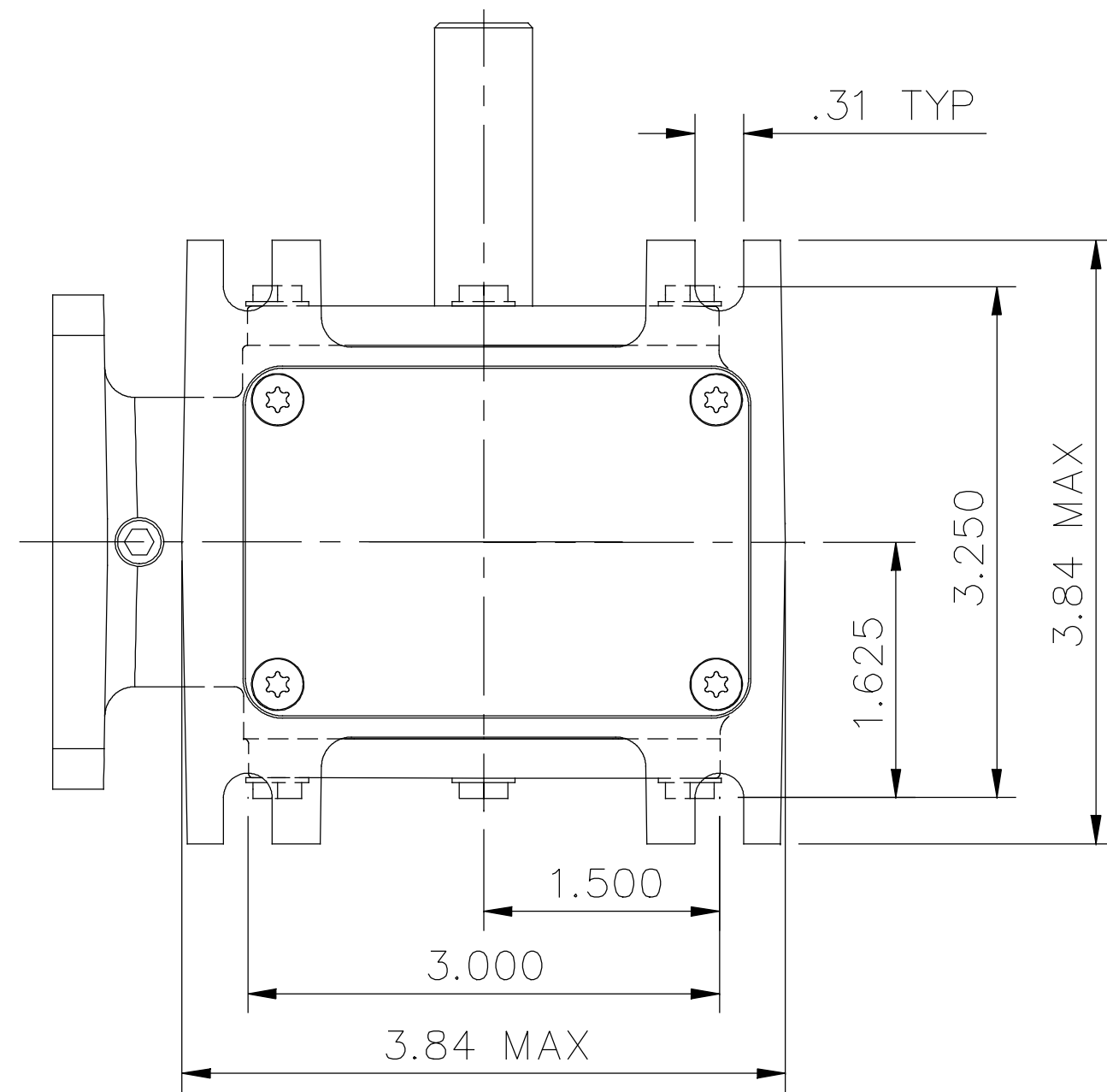


(1) 1/2-14 NPT
CONDUIT HOLE
(PLUGGED)

.187 SQ KEY BY 1.00 LG

CONNECTION DECAL
UNDER COVER



VIEW "Z-Z"

CATALOG NUMBER	SPEED RANGE RPM	FULL LOAD TORQUE LB.-IN.	INPUT HP	OVERHUNG LOAD LBS.	GEARMOTOR TYPE & FRAME	RATIO TO 1
M1145147.00	172	105	3/8	235	13F10-38F	10

- NOTES:
 1) O-RINGS BETWEEN FRAME AND ENDBELLS.
 2) GASKETS THROUGHOUT.

ORACLE REV	002
------------	-----

		TOLERANCES UNLESS SPECIFIED		LEESON		ELECTRIC MOTORS GEARMOTORS AND DRIVES		DRAWN SRS 12/16/08		
		DEC.	INCHES			TITLE		CHK		
		.X	±.1			OUTLINE DRAWING		APPD		
		.XX	±.03			R13 SERIES - 38 FRAME WASHGUARD		SCALE 1=2		
		.XXX	±.005					REF M1030422.00		
E	CHG NO. OF FANGUARD MTG SCREWS PER ECO-0149815	ARV	7/30/18	SK	.XXXX	±.0005	MAT'L.	FMF	M1145147.00	
NO.	REVISION	BY & DATE	CHK	ANG	±1/2'	FINISH		PREV		
THIS DRAWING IN DESIGN AND DETAIL IS OUR PROPERTY AND MUST NOT BE USED EXCEPT IN CONNECTION WITH OUR WORK ALL RIGHTS OF DESIGN AND INVENTION ARE RESERVED THIS IS AN ELECTRONICALLY GENERATED DOCUMENT - DO NOT SCALE THIS PRINT				RFP	CAD FILE		OLM1145147	SIZE	DRAWING NO.	REV.
				DIST			B	OLM1145147	E	