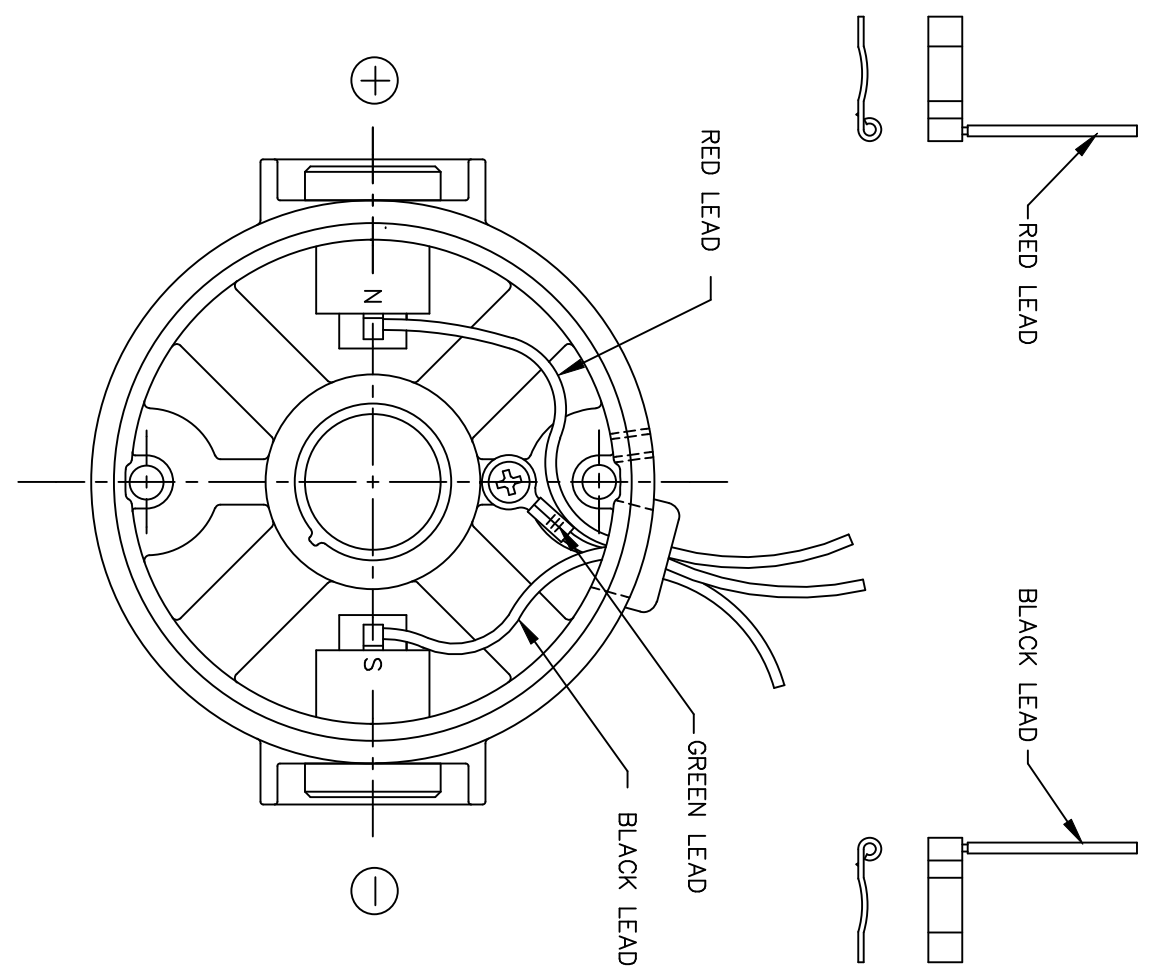


D.C. MOTORS



EXTERNAL CONNECTIONS FOR CW ROTATION
 VIEWING LEAD END OF MOTOR WITH RED LEAD
 POSITIVE AND BLACK LEAD NEGATIVE (-)
 FOR CCW ROTATION REVERSE POLARITY

| | | | | | | | | | |
|--|---|-----|----------|---------------------------------------|---------|------------------------------------|--------------------------|--------|-------------------------|
| | | | | TOLERANCES UNLESS OTHERWISE SPECIFIED | | LEESON ELECTRIC CORPORATION | | | |
| | | | | DECIMALS | | | | | |
| 03 | CORRECTED "N" AND "S", ECR 80000 (PER B.C.) | VS | 08/15/02 | .00 | ± .01 | DRAWN DWF 3/26/93 | TITLE CONNECTION DIAGRAM | | |
| 02 | ROTATED DETAIL VIEWS OF LEADS | SAD | 2/4/98 | .000 | ± .005 | CH'K'D. | | | |
| 01 | REVERSE ROTATION WAS CW | SPV | 6/3/94 | .0000 | ± .0005 | APPR. | MAT'L. | | |
| NO. | REVISION | BY | DATE | FRACTIONS | ± 1/64 | SCALE 1=1 | | | |
| THIS DRAWING IN DESIGN AND DETAIL IS OUR PROPERTY AND MUST NOT BE USED EXCEPT IN CONNECTION WITH OUR WORK ALL RIGHTS OF DESIGN OR INVENTION ARE RESERVED | | | | ANGLES | ± 1/2' | REF. M1005124 | FINISH LEESON | SIZE A | DRAWING NO. M1005143-01 |
| | | | | INCH/MM | | FMF M1125046 | STOCK | | |

ERROR: syntaxerror
OFFENDING COMMAND: --nostringval--

STACK:

/p2e
-savelevel-