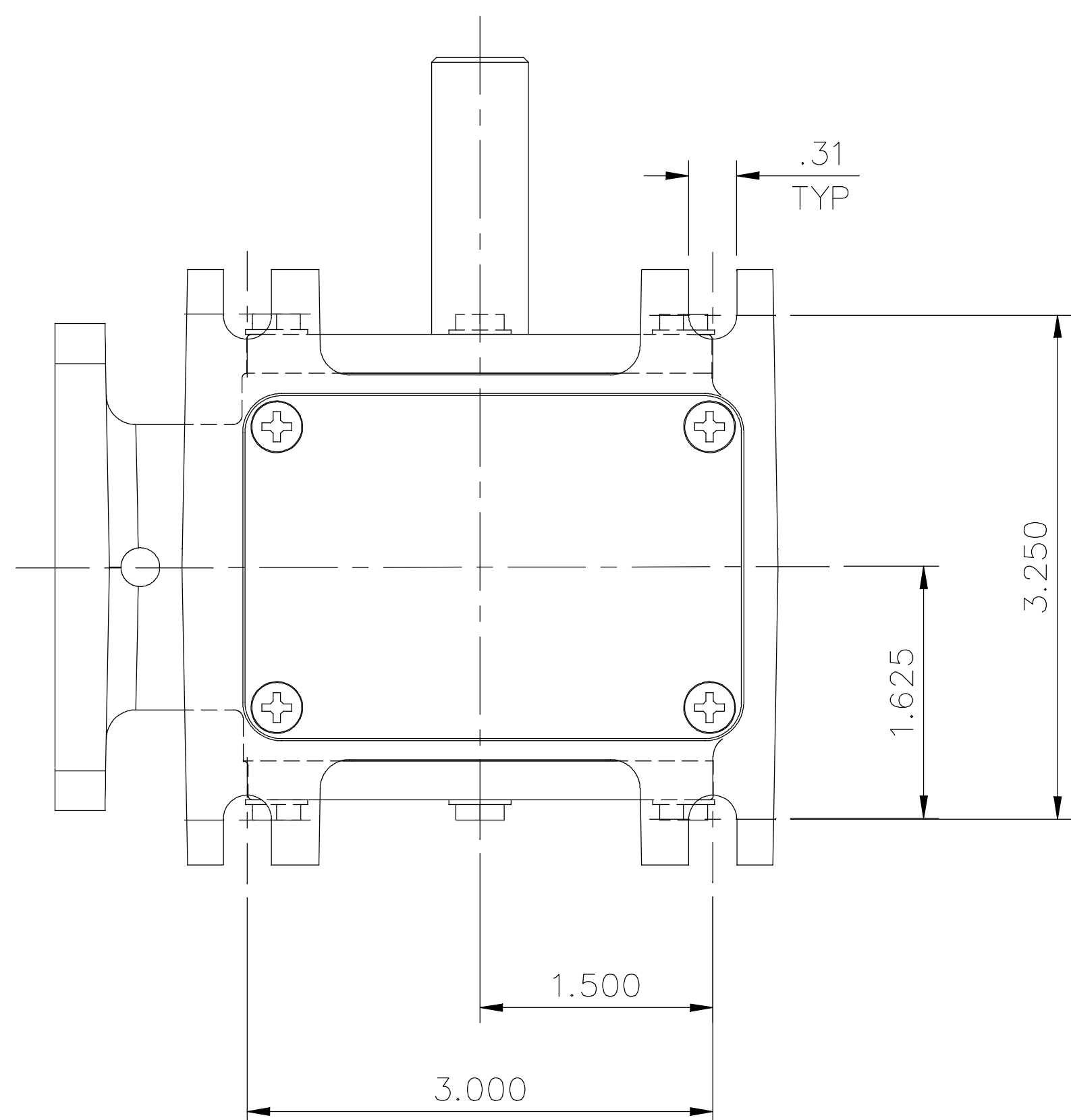
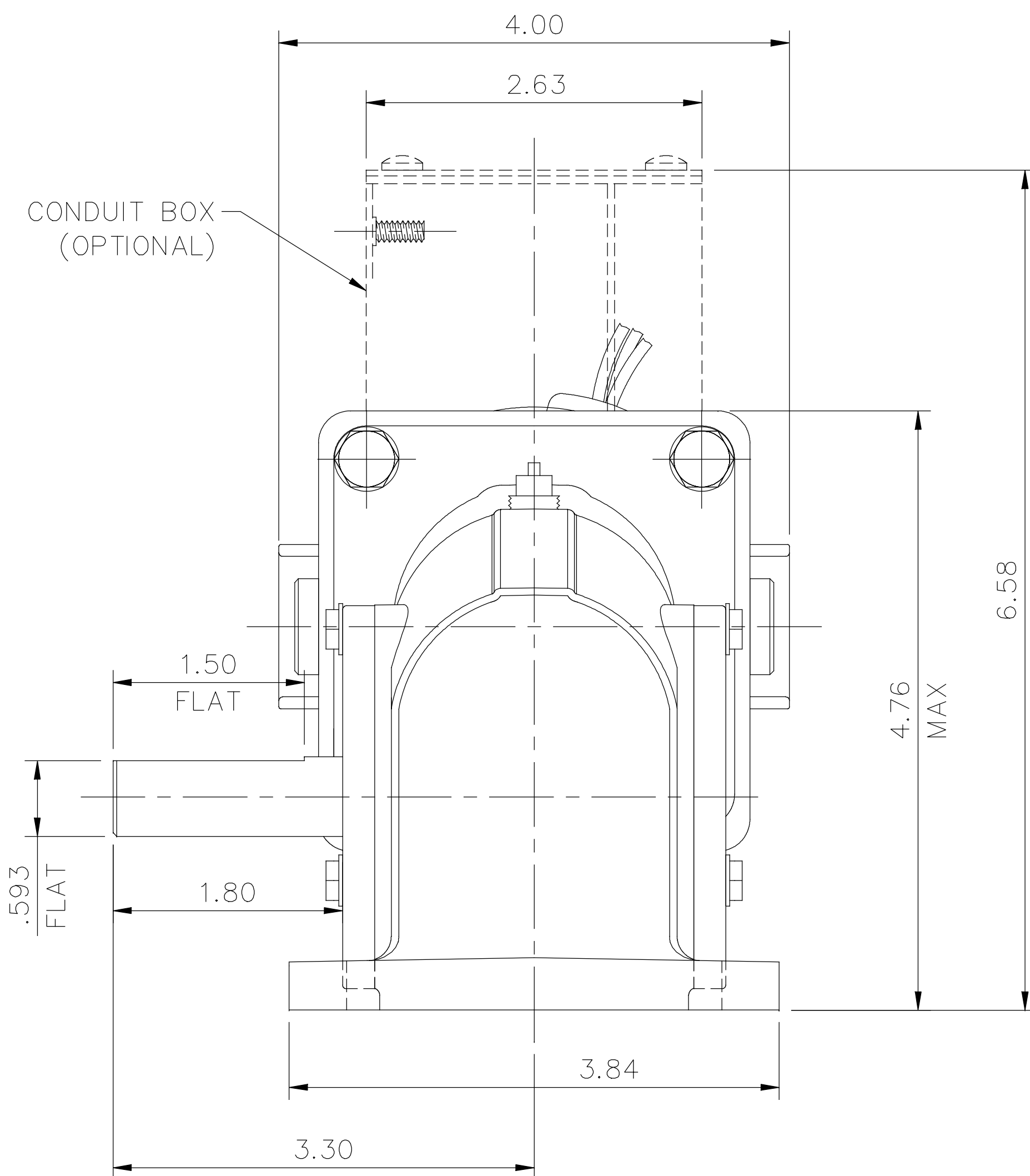
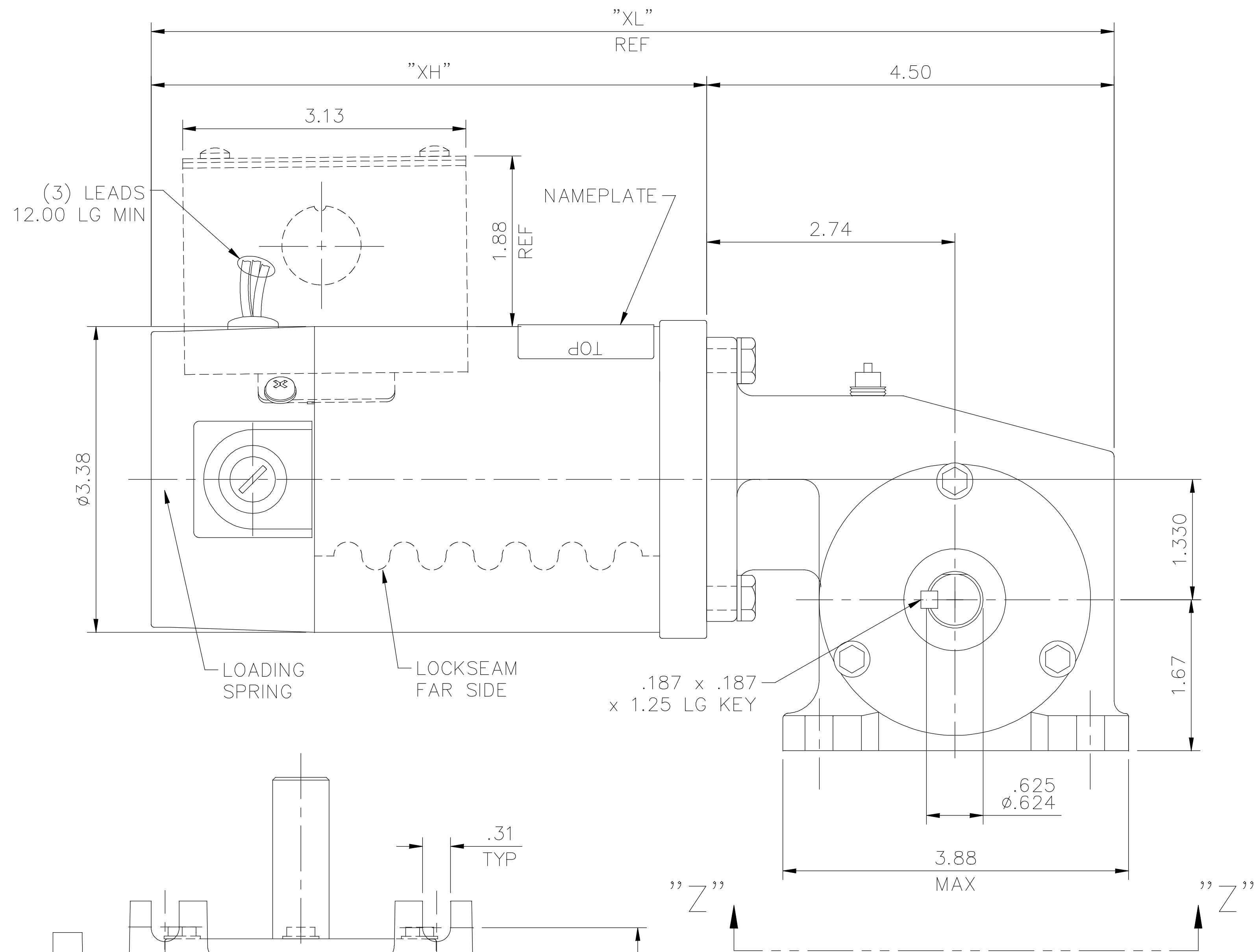
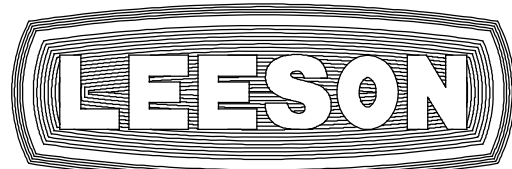


M1030350



VIEW Z-Z

CATALOG NUMBER	SPEED RANGE RPM	FULL LOAD TORQUE LB.-IN.	INPUT HP	OVERHUNG LOAD LBS.	GEARMOTOR TYPE & FRAME	RATIO TO 1	"XH"	"XL"
M1135046.00	500-8	30	1/4	235	13F05-34G	5	8.14	12.64
M1135045.00	250-4	50	1/4	235	13F10-34G	10	8.14	12.64
M1135044.00	125-2.1	90	1/4	235	13F20-34G	20	8.14	12.64
M1135043.00	83-1.4	125	1/4	235	13F30-34G	30	8.14	12.64
M1135042.00	62-1	135	1/4	235	13F40-34G	40	8.14	12.64

		TOLERANCES UNLESS SPECIFIED		 ELECTRIC MOTORS GEARMOTORS AND DRIVES		DRAWN DWF 11/30/93	
		DEC.	INCHES			CHK	
		.X	±.1	APPD		SCALE 5=8	
		.XX	±.03	TITLE		REF M1135049.99	
		.XXX	±.005	OUTLINE 34 FRAME DC 13 SERIES 90V GEARMOTOR		FMF M1135046.00	
Y	REMOVED 1/8 HP RATINGS FROM TABLE, ECO-0173505	IPG	9/13/19	.XXXX	±.0005	PREV	
NO.	REVISION	BY & DATE	CHK	ANG	±1/2'	FINISH LEESON	
THIS DRAWING IN DESIGN AND DETAIL IS OUR PROPERTY AND MUST NOT BE USED EXCEPT IN CONNECTION WITH OUR WORK ALL RIGHTS OF DESIGN AND INVENTION ARE RESERVED THIS IS AN ELECTRONICALLY GENERATED DOCUMENT - DO NOT SCALE THIS PRINT			RFP	CAD FILE M1030350		SIZE	DRAWING NO.
			DIST			B	M1030350
						REV.	Y