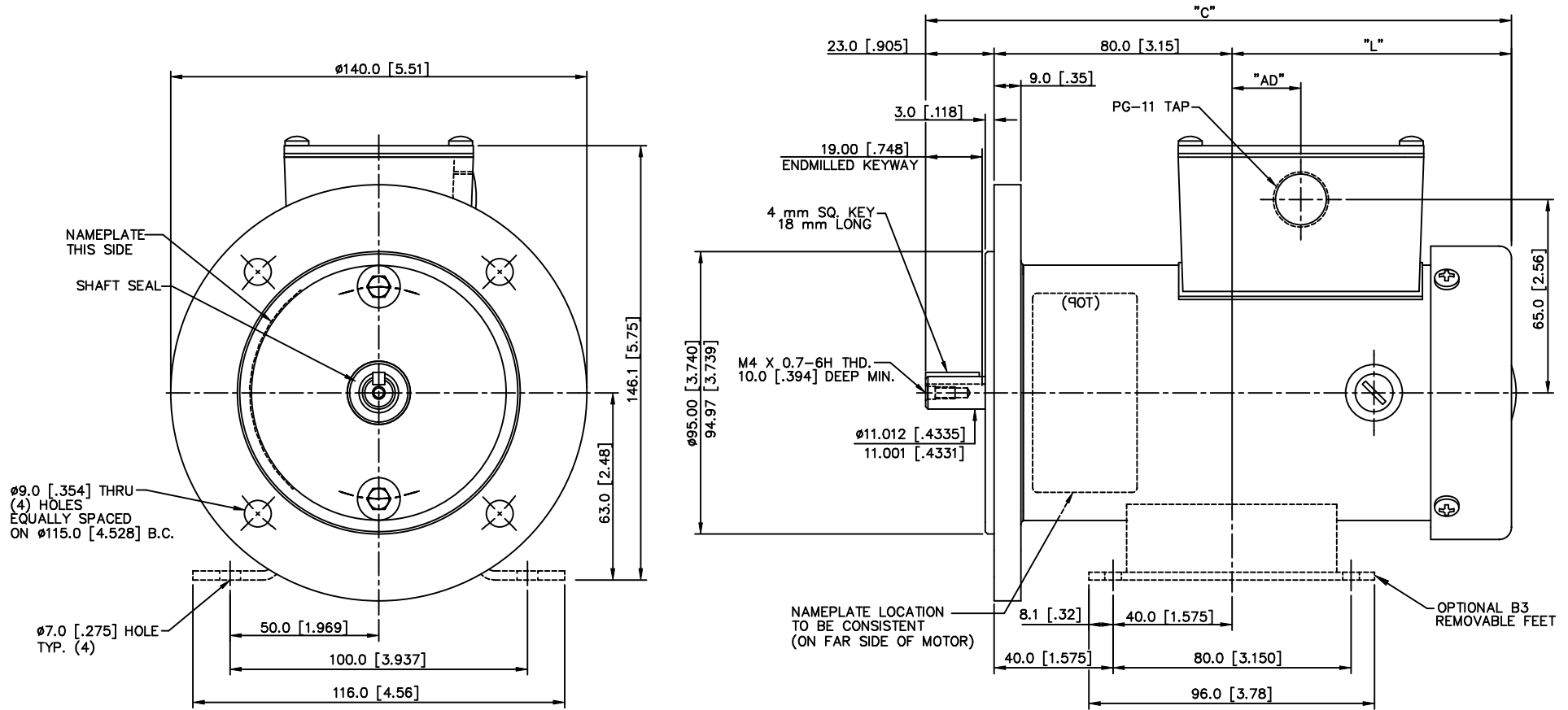


M1030347-00



M1130207.00	222.3 [8.75]	119.4 [4.70]	48.5 [1.91]	1800	24
M1130206.00	196.9 [7.75]	94.0 [3.70]	23.1 [.91]	3000	24
M1130199.00	222.3 [8.75]	119.4 [4.70]	48.5 [1.91]	1800	12
M1130198.00	196.9 [7.75]	94.0 [3.70]	23.1 [.91]	1800	12
CAT. NO.	C	L	AD	RPM	VOLTS

				TOLERANCES UNLESS OTHERWISE SPECIFIED		LEESON ELECTRIC CORPORATION					
				DECIMALS		DRAWN DWF 8/22/93 TITLE					
				.00 ± .01		CH'K'D. OUTLINE					
02	REVISED WITH NEW FAN & FAN GUARD	SPV	3/20/97	.000	± .005	IEC D63-B5 FLANGE					
01	ADDED CAT. NO. M1130207.00, M130206.00	DWF	2/15/94	.0000	± .0005	34 FRAME					
NO. REVISION BY DATE				FRACTIONS ± 1/64		SCALE 3=4					
THIS DRAWING IN DESIGN AND DETAIL IS OUR PROPERTY AND MUST NOT BE USED EXCEPT IN CONNECTION WITH OUR WORK ALL RIGHTS OF DESIGN AND INVENTION ARE RESERVED				ANGLES ± 1/2°		REF. M1030283		FINISH CHRIS		SIZE B	DRAWING NO. M1030347-00
				INCH/MM		FMF M1130198.00		MOTOR			