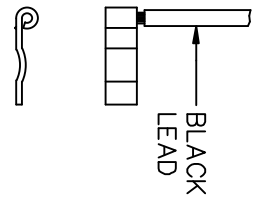
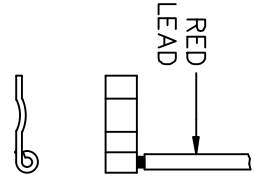
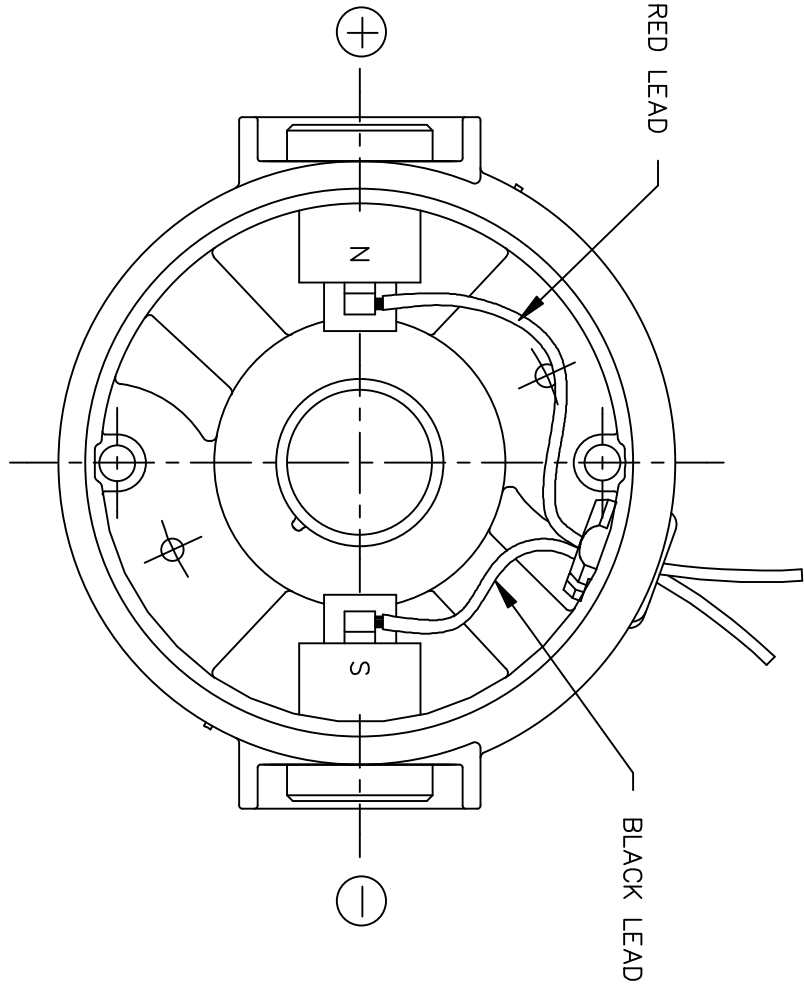



D.C. MOTORS



EXTERNAL CONNECTIONS FOR CW ROTATION  
 VIEWING LEAD END OF MOTOR WITH RED LEAD  
 POSITIVE (+) AND BLACK LEAD NEGATIVE (-)  
 FOR CCW ROTATION REVERSE POLARITY

				TOLERANCES UNLESS SPECIFIED		 Dayton Electric Mfg. Co. Lake Forest IL60045 USA	DRAWN LST 3/15/10 CHK APPD
				DEC.	INCHES		TITLE CONNECTION DIAGRAM
				.X	±.1		SCALE 1=1
				.XX	±.01		REF M1005308-01
				.XXX	±.005		FMF
01	REVISED GRAINGER ADDRESS AS PER IS12-2651	UD 9/12/12	PI	.XXXX	±.0005	MAT'L.	PREV
NO.	REVISION	BY & DATE	CHK	ANG	±1/2'	FINISH	
THIS DRAWING IN DESIGN AND DETAIL IS OUR PROPERTY AND MUST NOT BE USED EXCEPT IN CONNECTION WITH OUR WORK ALL RIGHTS OF DESIGN AND INVENTION ARE RESERVED THIS IS AN ELECTRONICALLY GENERATED DOCUMENT - DO NOT SCALE THIS PRINT				RFP		CAD FILE 5CJD1WD	SIZE A
				DIST			DRAWING NO. 5CJD1WD
							REV. 01