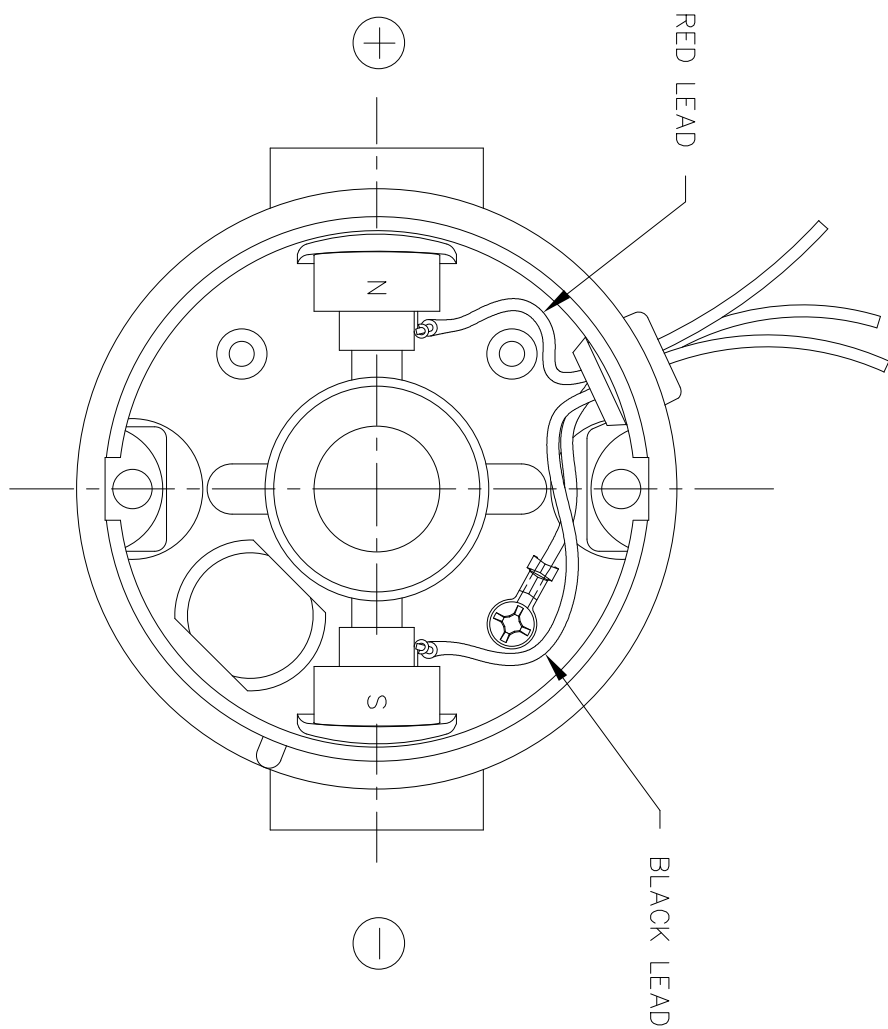



D.C. MOTORS



EXTERNAL CONNECTIONS FOR CW ROTATION
 VIEWING LEAD END OF MOTOR WITH RED LEAD
 POSITIVE (+) AND BLACK LEAD NEGATIVE (-)
 FOR CCW ROTATION REVERSE POLARITY

ITEM	REV
	001

				TOLERANCES UNLESS SPECIFIED		 ELECTRIC MOTORS GEARMOTORS AND DRIVES	DRAWN RWS 3/15/05	
				DEC.	INCHES		CHK RPB 3/15/05	
				.X	±.1		APPD	
				.XX	±.01		SCALE 1=1	
				.XXX	±.005		REF 901.706	
C	BRUSH HOLDERS ROTATED 90°, ECR-0207997	IPG	11/12/21	.XXX	±.005	TITLE CONNECTION DIAGRAM		SCALE 1=1
00	RELEASED COMM CONVERSION PROJECT	RWS	4/13/05	RPB	.XXXX	MAT'L.		REF 901.706
NO.	REVISION	BY & DATE	CHK	ANG	±1/2°	FINISH		FMF M115002.00
THIS DRAWING IN DESIGN AND DETAIL IS OUR PROPERTY AND MUST NOT BE USED EXCEPT IN CONNECTION WITH OUR WORK ALL RIGHTS OF DESIGN AND INVENTION ARE RESERVED THIS IS AN ELECTRONICALLY GENERATED DOCUMENT - DO NOT SCALE THIS PRINT				RFP		CAD FILE	M100530201	SIZE A
				DIST				DRAWING NO. M1005302.01
								REV. C