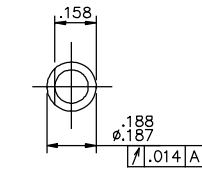
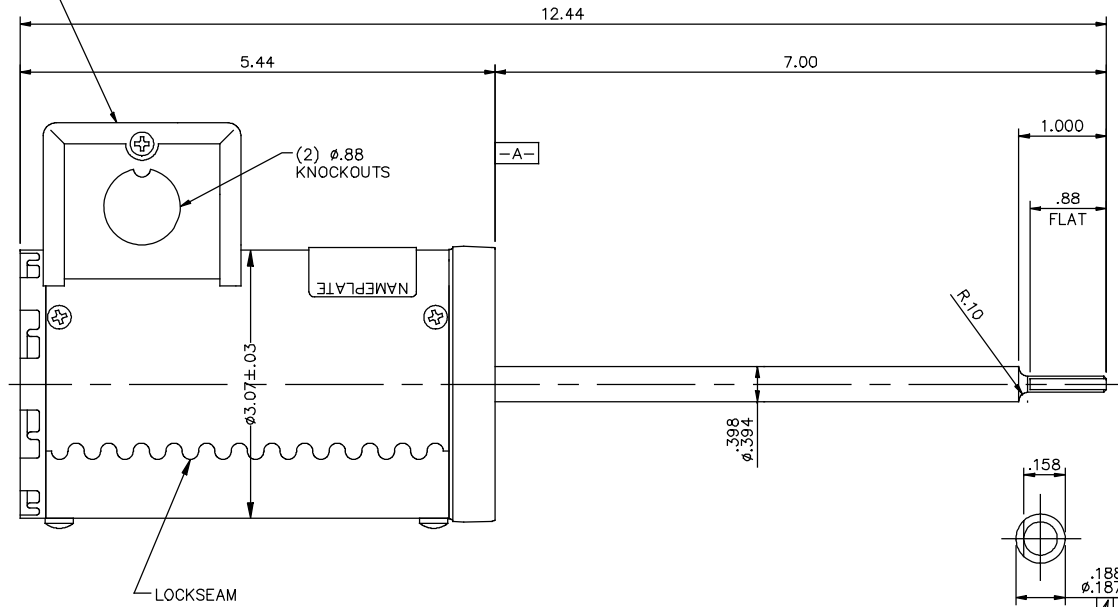
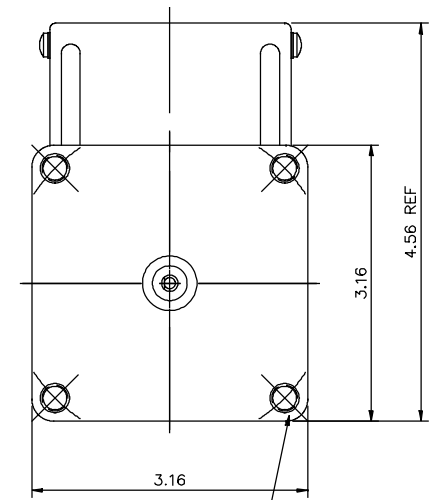


OLM1120242

CONNECTION DECAL
INSIDE THE COVER



SHAFT DETAIL



(4) 1/4-20 UNC-2B TAP THRU
Ø.280 X 120'
(Ø3.713 BSC. REF.)

		TOLERANCES UNLESS SPECIFIED		DRAWN AS 09/25/18	
		DEC.	INCHES	CHK	
		.X	±.1	ASPPD AS 09/25/18	
		.XX	±.03	SCALE 3=4	
		.XXX	±.005	REF OLPRI42282	
A	NEW DRAWING	.XXXX	±.0005	FMF	
NO.	REVISION	CHK	ANG	±1/2'	PREV
THIS DRAWING IN DESIGN AND DETAIL IS OUR PROPERTY AND MUST NOT BE USED EXCEPT IN CONNECTION WITH OUR WORK. ALL RIGHTS OF DESIGN AND INVENTION ARE RESERVED. THIS IS AN ELECTRONICALLY GENERATED DOCUMENT - DO NOT SCALE THIS PRINT		RFP	CAD FILE OLM1120242		SIZE B
		DIST	DRAWING NO. OLM1120242		REV. A

REGAL™ Regal Beloit America, Inc.

TITLE OUTLINE DRAWING
31 FRAME A.C.

SIZE B DRAWING NO. OLM1120242 REV. A