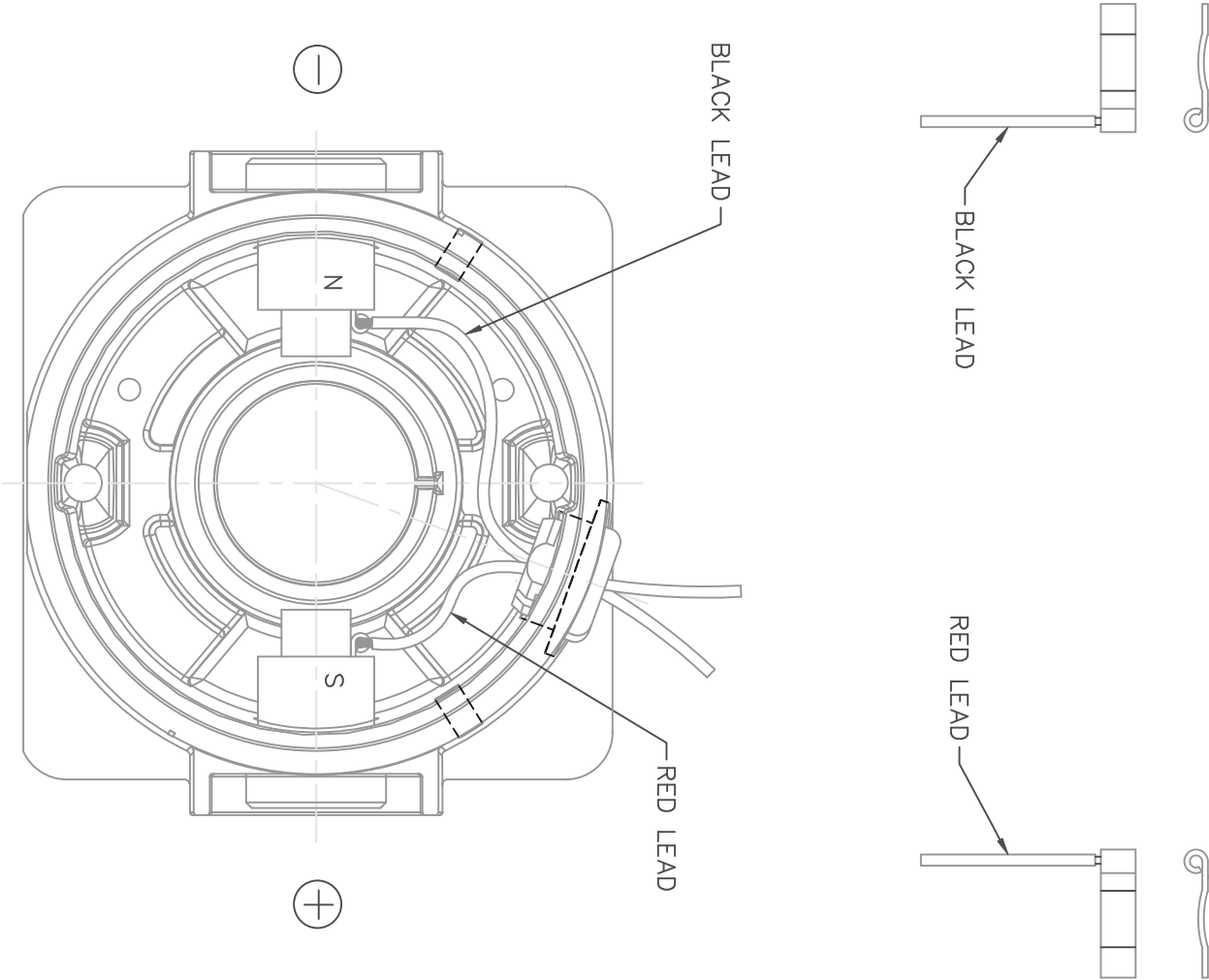



D.C. MOTORS



EXTERNAL CONNECTIONS FOR CCW ROTATION
 VIEWING LEAD END OF MOTOR WITH RED LEAD
 POSITIVE (+) AND BLACK LEAD NEGATIVE (-).
 FOR CW ROTATION REVERSE POLARITY.

				TOLERANCES UNLESS SPECIFIED		 ELECTRIC MOTORS GEARMOTORS AND DRIVES	DRAWN IPG 11/6/06	
				DEC. INCHES	TITLE CONNECTION DIAGRAM		CHK SAD 11/6/06	
				.X ±.1			APPD	
				.XX ±.01			SCALE 1=1	
				.XXX ±.005			REF M1005036.01	
00	RELEASED PER 31 TT FR CONSOLIDATION, ECN 06-4430	IPG 11/6/06	SAD	.XXXX ±.0005	MAT'L.	FMF M1120014.00		
NO.	REVISION	BY & DATE	CHK	ANG ±1/2'	FINISH	PREV		
THIS DRAWING IN DESIGN AND DETAIL IS OUR PROPERTY AND MUST NOT BE USED EXCEPT IN CONNECTION WITH OUR WORK ALL RIGHTS OF DESIGN AND INVENTION ARE RESERVED THIS IS AN ELECTRONICALLY GENERATED DOCUMENT - DO NOT SCALE THIS PRINT			RFP	CAD FILE	M1005321	SIZE	DRAWING NO.	
			DIST			A	M1005321.01	
							REV.	00