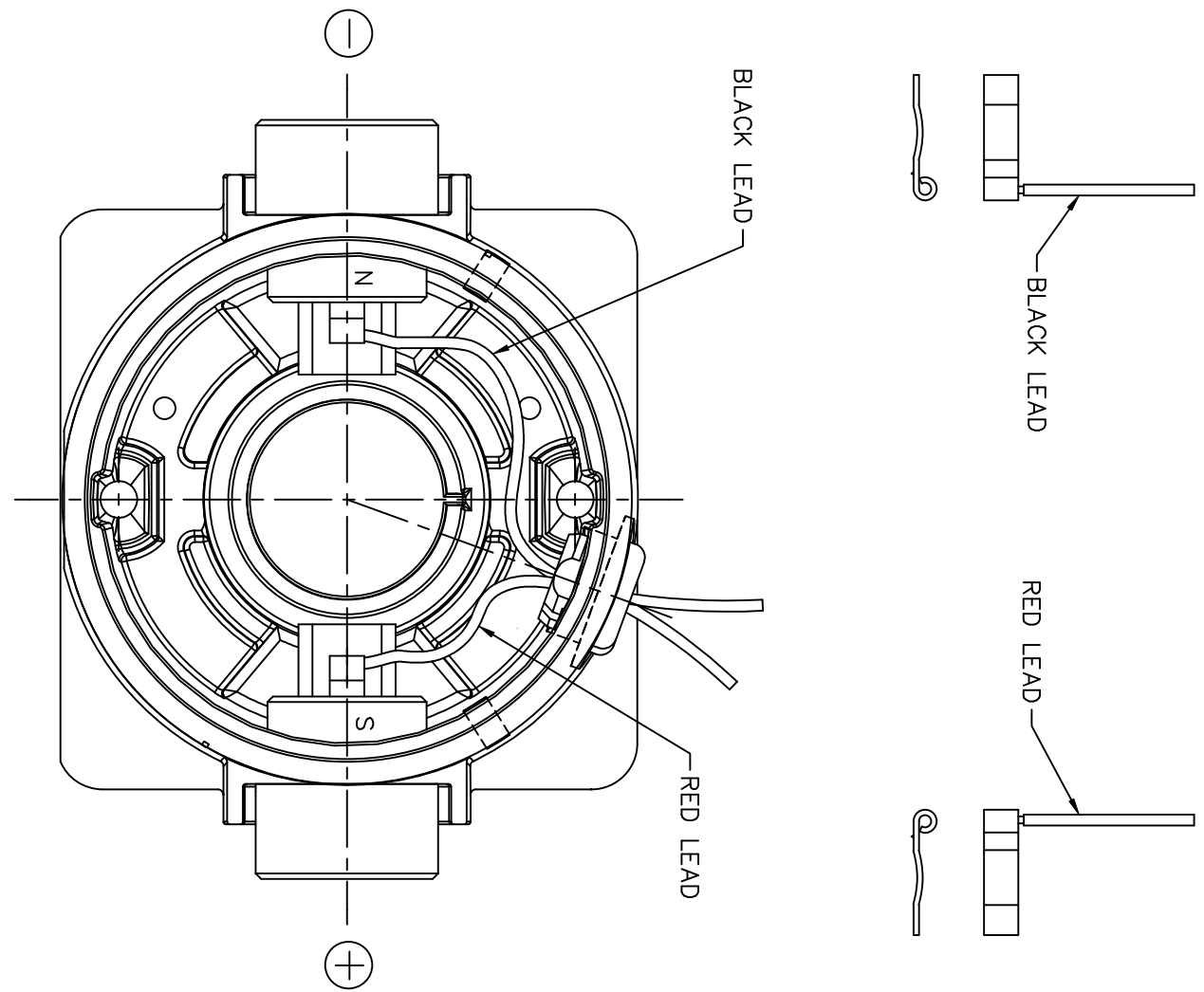



D.C. MOTORS



EXTERNAL CONNECTIONS FOR CCW ROTATION  
VIEWING LEAD END OF MOTOR WITH RED LEAD  
POSITIVE (+) AND BLACK LEAD NEGATIVE (-).  
FOR CW ROTATION REVERSE POLARITY.

|                                                                                                                                                                                                                                  |                                                  |              |      |                             |        |                                                                                                                                   |                 |              |  |
|----------------------------------------------------------------------------------------------------------------------------------------------------------------------------------------------------------------------------------|--------------------------------------------------|--------------|------|-----------------------------|--------|-----------------------------------------------------------------------------------------------------------------------------------|-----------------|--------------|--|
|                                                                                                                                                                                                                                  |                                                  |              |      | TOLERANCES UNLESS SPECIFIED |        |  ELECTRIC MOTORS<br>GEARMOTORS<br>AND DRIVES | DRAWN           | IPG 12/13/06 |  |
|                                                                                                                                                                                                                                  |                                                  |              |      | DEC.                        | INCHES |                                                                                                                                   | CHK             | SAD 12/13/06 |  |
|                                                                                                                                                                                                                                  |                                                  |              |      | .X                          | ±.1    |                                                                                                                                   | APPD            |              |  |
|                                                                                                                                                                                                                                  |                                                  |              |      | .XX                         | ±.01   |                                                                                                                                   | SCALE 1=1       |              |  |
|                                                                                                                                                                                                                                  |                                                  |              |      | .XXX                        | ±.005  |                                                                                                                                   | REF M1005321.01 |              |  |
| 00                                                                                                                                                                                                                               | RELEASED PER 31 TT FR CONSOLIDATION, ECN 06-4435 | IPG 12/13/06 | SAD  | .XXXX                       | ±.0005 | MAT'L.                                                                                                                            | FMF M1120044.00 |              |  |
| NO.                                                                                                                                                                                                                              | REVISION                                         | BY & DATE    | CHK  | ANG                         | ±1/2"  | FINISH                                                                                                                            | PREV            |              |  |
| THIS DRAWING IN DESIGN AND DETAIL IS OUR PROPERTY AND MUST NOT BE USED EXCEPT IN CONNECTION WITH OUR WORK ALL RIGHTS OF DESIGN AND INVENTION ARE RESERVED THIS IS AN ELECTRONICALLY GENERATED DOCUMENT - DO NOT SCALE THIS PRINT |                                                  |              | RFP  | CAD FILE                    |        | M1005326                                                                                                                          | SIZE            | DRAWING NO.  |  |
|                                                                                                                                                                                                                                  |                                                  |              | DIST |                             |        |                                                                                                                                   | A               | M1005326.01  |  |
|                                                                                                                                                                                                                                  |                                                  |              |      |                             |        |                                                                                                                                   |                 | REV. 00      |  |