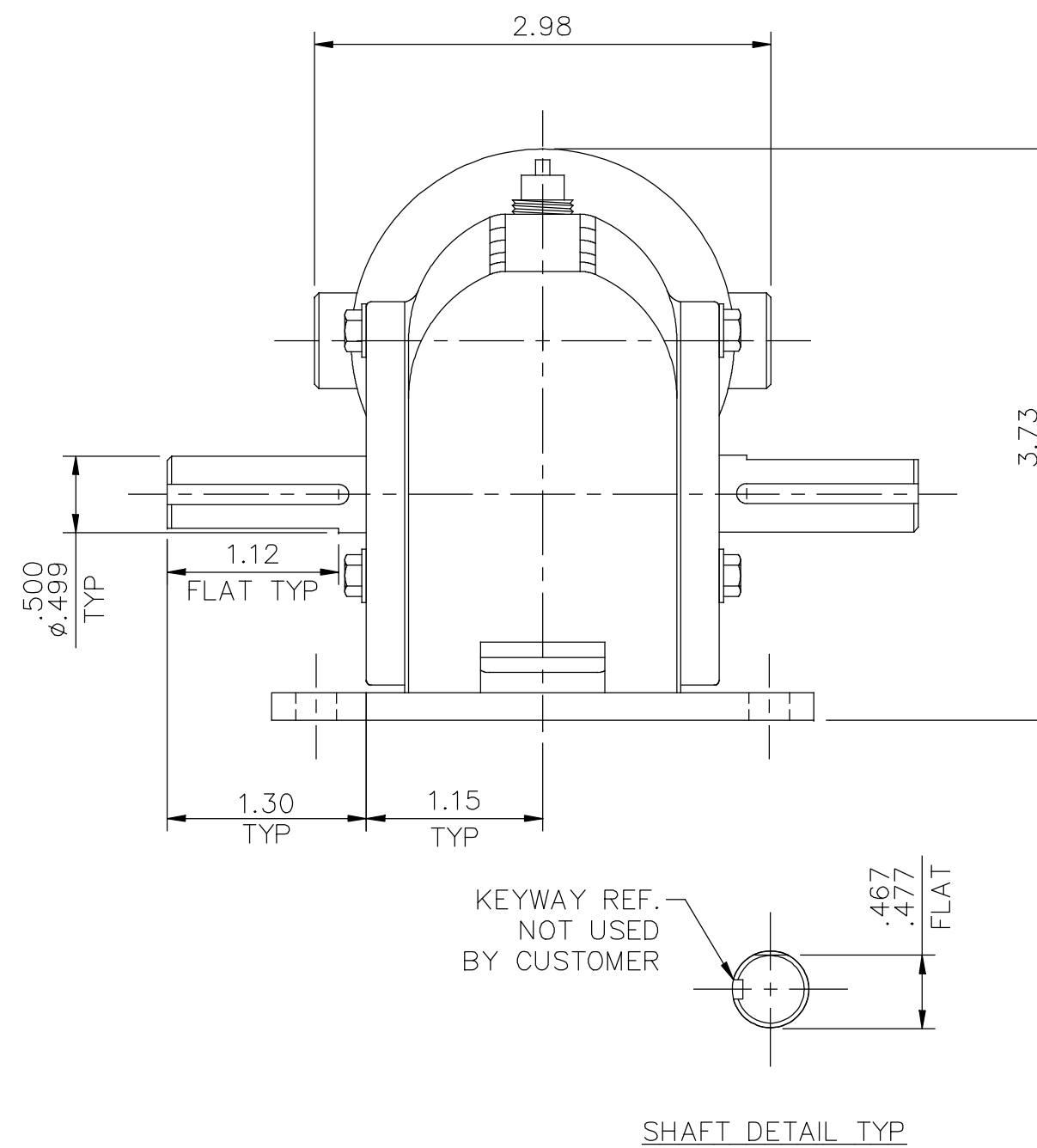
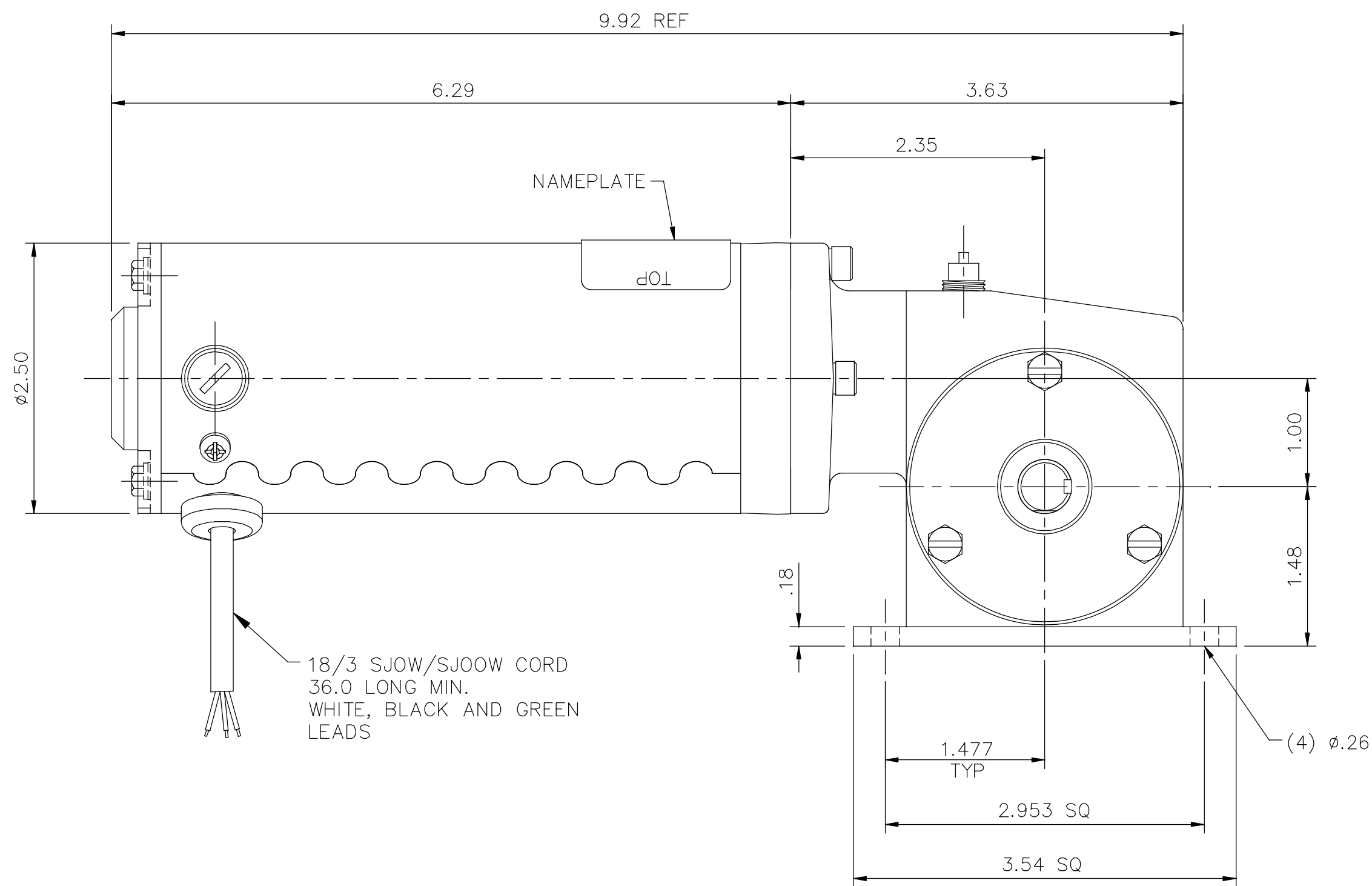


611-0139



ITEM No.	ITEM REV
-001	0

		TOLERANCES UNLESS SPECIFIED		<b>LEESON</b> ELECTRIC MOTORS GEARMOTORS AND DRIVES	DRAWN	IPG 10/23/18
		DEC.	INCHES		CHK	
		.X	±.1	APPD		
		.XX	±.03	TITLE	SCALE	3=4
		.XXX	±.005	25 FRAME DC - RIGHT ANGLE GEARBOX	REF	OLPR183007
A	RELEASED, SAME AS OLPR183007, ECO-0155243	IPG	10/23/18	MAT'L.	FMF	M1115064.00
NO.	REVISION	BY & DATE	CHK	ANG	FINISH	PREV
THIS DRAWING IN DESIGN AND DETAIL IS OUR PROPERTY AND MUST NOT BE USED EXCEPT IN CONNECTION WITH OUR WORK ALL RIGHTS OF DESIGN AND INVENTION ARE RESERVED THIS IS AN ELECTRONICALLY GENERATED DOCUMENT - DO NOT SCALE THIS PRINT			RFP		CAD FILE	611-0139
			DIST		SIZE	DRAWING NO.
					B	611-0139
						REV.
						A