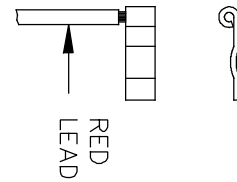
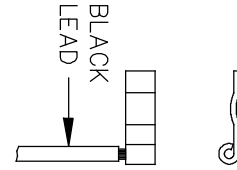
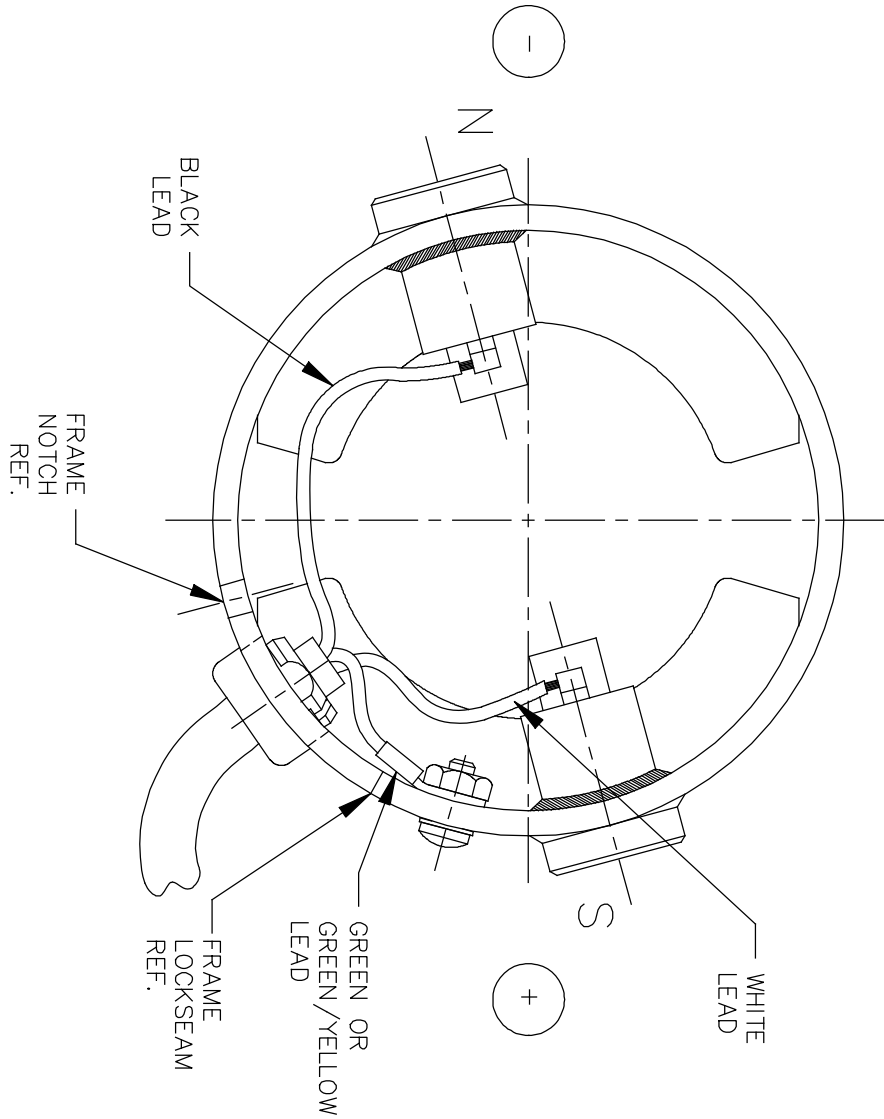



D.C. MOTORS

EXTERNAL CONNECTIONS FOR CW ROTATION VIEWING  
 LEAD END OF MOTOR WITH RED LEAD POSITIVE (+)  
 AND BLACK LEAD NEGATIVE (-)  
 FOR CCW ROTATION REVERSE POLARITY



ITEM No.	ITEM REV
-01	0

				TOLERANCES UNLESS SPECIFIED			ELECTRIC MOTORS GEARMOTORS AND DRIVES	DRAWN	IPG 10/22/18		
				DEC.	INCHES			CHK			
				.X	±.1			APPD			
				.XX	±.03			TITLE	CONNECTION DIAGRAM	SCALE	1=1
						.XXX	±.005	REF	CDPR182114		
A	RELEASED, SAME AS CDPR182114, ECO-0155029	IPG	10/22/18			.XXXX	±.0005	FMF	M1115063.00		
NO.	REVISION	BY & DATE	CHK	ANG	±1/2"	FINISH		PREV			
THIS DRAWING IN DESIGN AND DETAIL IS OUR PROPERTY AND MUST NOT BE USED EXCEPT IN CONNECTION WITH OUR WORK ALL RIGHTS OF DESIGN AND INVENTION ARE RESERVED THIS IS AN ELECTRONICALLY GENERATED DOCUMENT - DO NOT SCALE THIS PRINT				RFP	CAD FILE			M1005382	SIZE	DRAWING NO.	REV.
				DIST				A	M1005382	A	