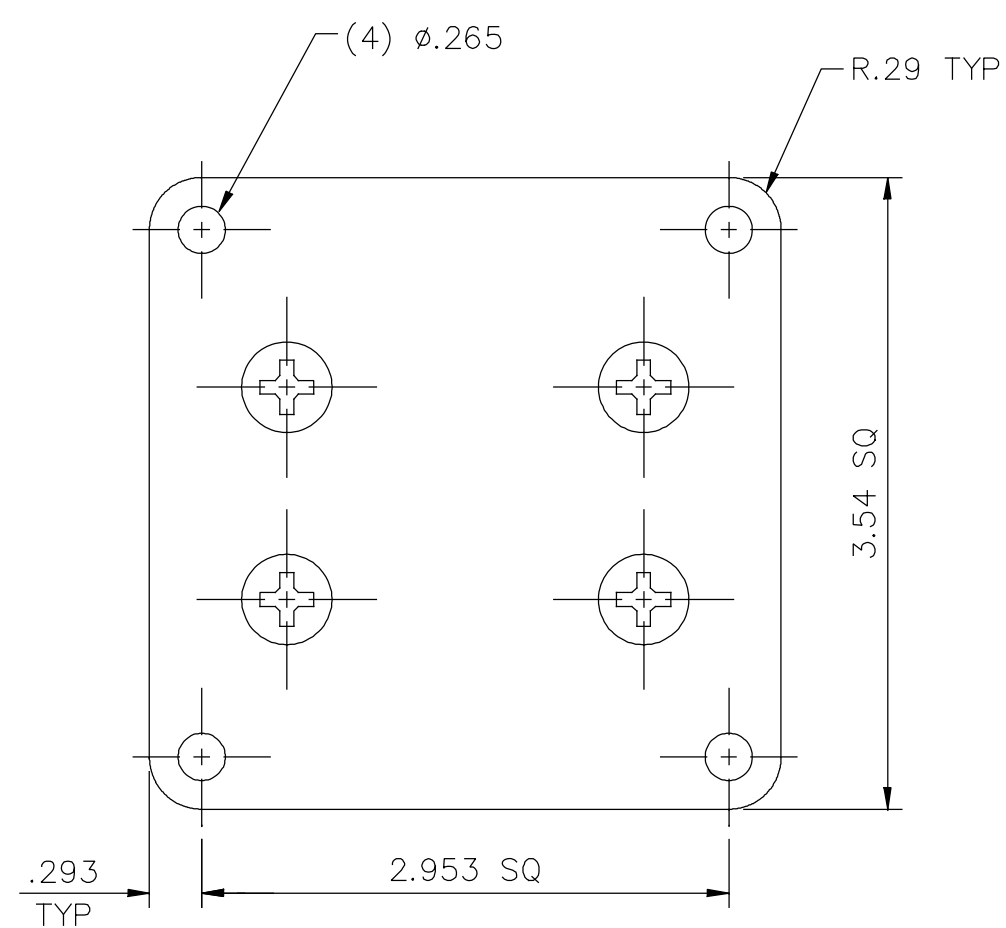
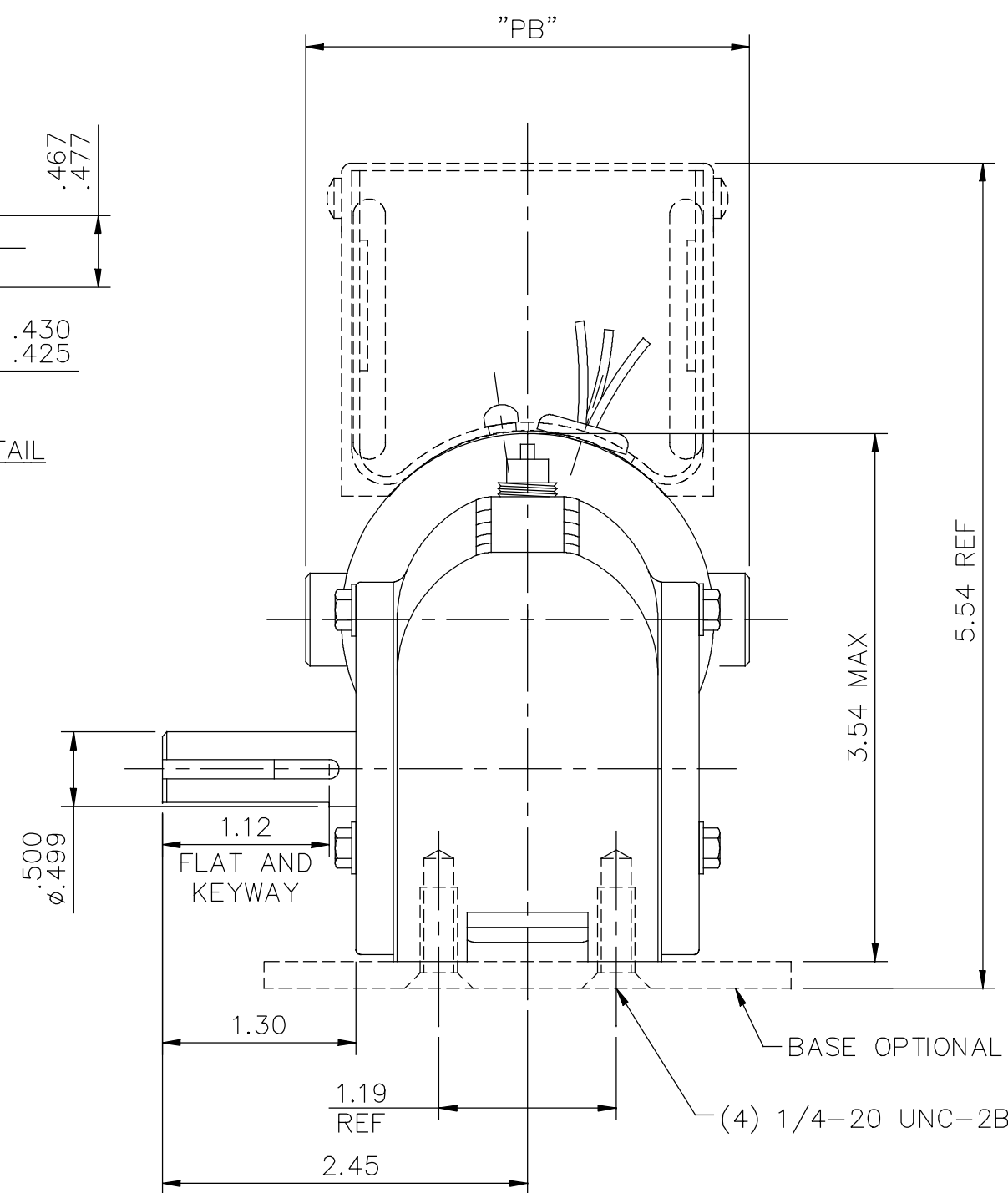
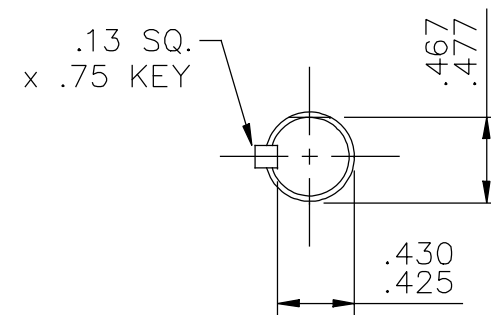
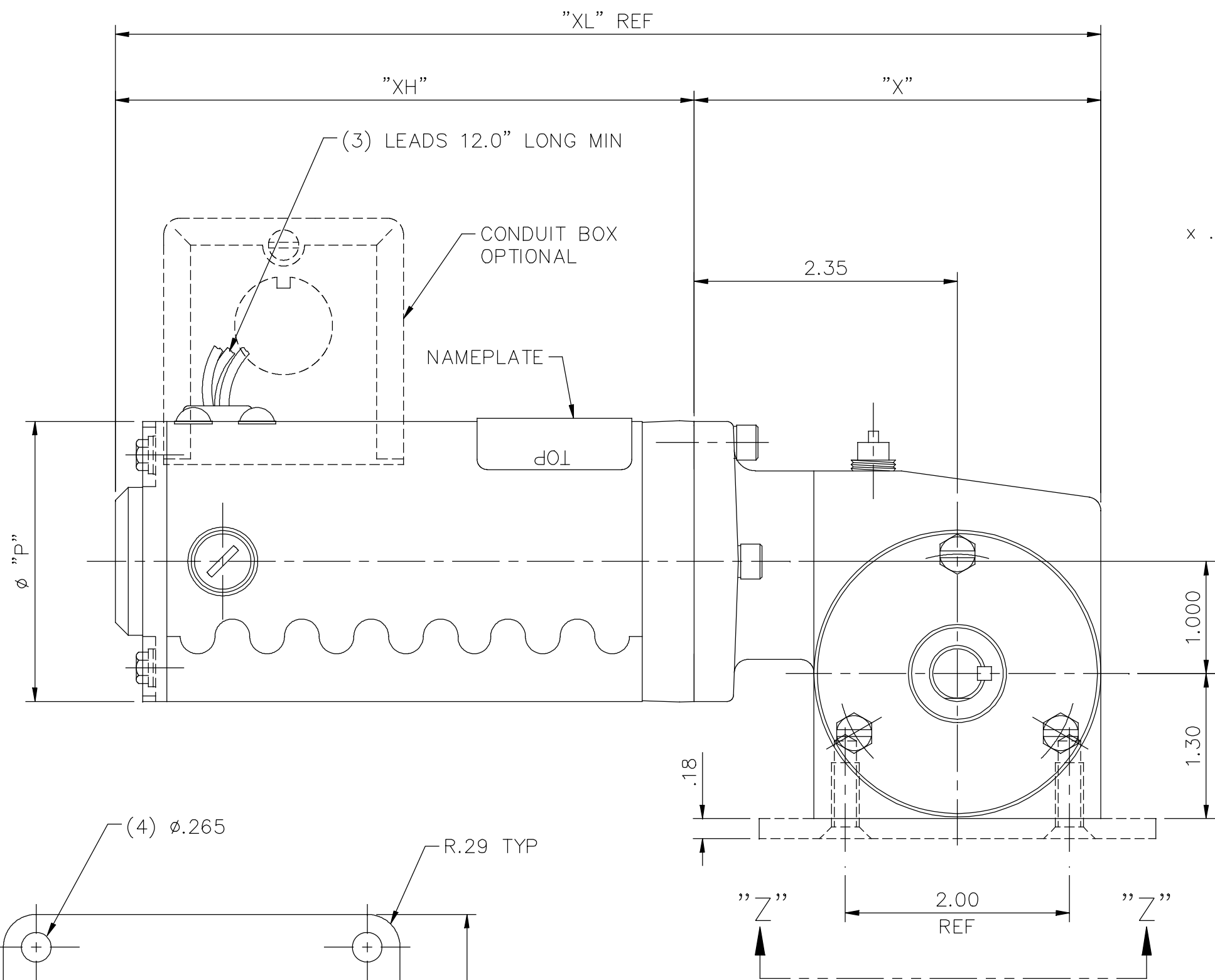


M1030885



CATALOG NUMBER	SPEED RANGE RPM	FULL LOAD TORQUE LB.-IN.	INPUT HP	OVERHUNG LOAD LBS.	RATIO TO 1	"P"	"PB"	"X"	"XH"	"XL"
M1115018.00	42-.7	22	1/17	185	60	2.50	2.98	3.63	5.17	8.80
M1115019.00	62-1	19	1/17	185	40	2.50	2.98	3.63	5.17	8.80
M1115020.00	125-2.1	16	1/17	185	20	2.50	2.98	3.63	5.17	8.80
M1115021.00	250-4	10	1/17	185	10	2.50	2.98	3.63	5.17	8.80
M1115022.00	500-8	5.2	1/17	185	5	2.50	2.98	3.63	5.17	8.80

ORACLE REV
003

NO.	REVISION	BY & DATE	CHK	ANG	TOLERANCES UNLESS SPECIFIED		FINISH	MATERIAL	DRAWN	APPD	SCALE	REF	PREV
					DEC.	INCHES							
F	ADDED 2.45" DIMENSION, ECO-0170148	IPG 7/8/19	.X		±.1								
03	.03 TOL. ADDED TO LETTER COLUMNS, ECR 88023	VS 6/15/05	BC	.XX	±.03						3=4		
02	GEAR BOX WAS M1550166.XXX/ECO 05-1201 EFF.7/5/05	RPB 5/18/05	BC	.XXX	±.005							PR020634.01	
01	FIXED OUTPUT SHAFT VIEW, ECR 82288	IPG 3/22/04	SAD	.XXX	±.0005							M1115019.00	
THIS DRAWING IN DESIGN AND DETAIL IS OUR PROPERTY AND MUST NOT BE USED EXCEPT IN CONNECTION WITH OUR WORK ALL RIGHTS OF DESIGN AND INVENTION ARE RESERVED THIS IS AN ELECTRONICALLY GENERATED DOCUMENT - DO NOT SCALE THIS PRINT								RFP	CAD FILE	M1030885	SIZE	DRAWING NO.	REV.
								DIST			B	M1030885	F



ELECTRIC MOTORS
GEARMOTORS
AND DRIVES

TITLE
25 FRAME DC - RIGHT ANGLE GEARBOX

MAT'L.
10 SERIES - 90V